



FZR 4616-144B

---

English .....	3 - 18
Čeština.....	19 - 34
Slovenščina.....	35 - 50
Magyarul.....	51 - 66
Polski .....	67 - 90

# Petrol Lawnmower

## USER'S MANUAL

**Thank you for purchasing this rotary petrol lawnmower. Before you start using it, please, carefully read this user's manual and save it for possible future use.**

### TABLE OF CONTENTS

1. GENERAL SAFETY INSTRUCTIONS .....	4
Important safety notice .....	4
Packaging .....	4
User's manual.....	4
2. EXPLANATION OF INSTRUCTION LABELS ON THE MACHINE.....	5
3. DESCRIPTION OF THE LAWNMOWER (FIG. 1).....	7
4. ASSEMBLY/PREPARATION.....	7
Taking the lawnmower out of the cardboard packaging .....	7
5. ASSEMBLING THE LAWNMOWER.....	8
Assembling the handle .....	8
Installing the handle panel .....	8
Assembling the grass catcher .....	9
6. BEFORE STARTING THE LAWNMOWER .....	9
Adding oil .....	9
Adding fuel.....	9
7. Controlling and operating the lawnmower.....	10
Starting the lawnmower .....	10
Controlling travel.....	11
Application range for the petrol lawnmower.....	11
Mowing with the grass catcher .....	11
Mowing with rear discharge .....	11
Mowing with side discharge .....	11
Setting the mowing height.....	12
Replacing the mowing blades .....	12
Changing the motor oil.....	13
8. Safety instructions .....	13
General safety instructions .....	13
Instructions for use .....	13
9. Maintenance .....	14
Lawn care.....	14
Maintenance .....	15
Service.....	16
Warranty does not cover.....	16
Storage .....	16
10. Technical specifications .....	17
11. Disposal .....	18

# 1. GENERAL SAFETY INSTRUCTIONS

## IMPORTANT SAFETY NOTICE

- ✿ Carefully unpack the product and take care not to throw away any part of the packaging before you find all the parts of the product.
- ✿ Store the machine in a dry place out of reach of children.
- ✿ Read all warnings and instructions. Not following warnings or instructions may lead to injury by electrical shock, a fire and/or serious injuries.

## PACKAGING


The product is packed in a package that prevents damage during transport. This package is a resource and so can be handed over for recycling.

## USER'S MANUAL

Before you start working with the machine, read the following safety and usage instructions.

Acquaint yourself with the operating elements and the correct use of the machine. Keep the user's manual in a safe place where it can be easily retrieved for future use. Save the original packaging, including the internal packing material, warranty card and proof of purchase receipt at least for the duration of the warranty.

If you need to ship this machine, pack it in the original cardboard box to ensure maximum protection during shipping or transport (e.g. when moving or when you need to send this product for repair).

-  **Note:** If you hand over the machine to somebody else, do so together with the user's manual. Following the instructions in the included user's manual is a prerequisite for the proper use of the machine. The user's manual also contains operating, maintenance and repair instructions.

**The manufacturer takes no responsibility for accidents or damages resulting from not following the instructions in this manual.**

## 2. EXPLANATION OF INSTRUCTION LABELS ON THE MACHINE



Before putting into operation, please carefully read the user's manual.



Keep other persons away from the work area.



Attention, rotating blades! Protect yourself against the danger of injury to limbs.



Emission of toxic gasses. Do not use the petrol lawnmower in enclosed or unventilated areas.



Hot surfaces, risk of burns!



Before carrying out maintenance, turn off the engine and disconnect the spark plug.



Never add fuel while the engine is running.



Indicates that there is a risk of injury to persons, death or damage to the machine if instructions are not followed



Use hearing protection.  
Use eye protection.  
Use breathing organ protection.



Always maintain a distance from moving parts.



Travel along the slope on contours, not up and down.



Conforms to all relevant European directives.



Petrol is extremely flammable and therefore allow the engine to cool down for 2 minutes before adding more fuel.

### 3. DESCRIPTION OF THE LAWNMOWER (Fig. 1)

1. Travel lever
2. Start / brake lever
3. Top part of the handle
4. Screws with wing nuts
5. Bottom part of the handle
6. Fuel tank cap
7. Air filter cover
8. Fuel primer bulb  
– Primer
9. Side discharge deflector
10. Cap with oil dipstick
11. Central mowing height  
adjustment lever
12. Grass catcher cover
13. Handle panel

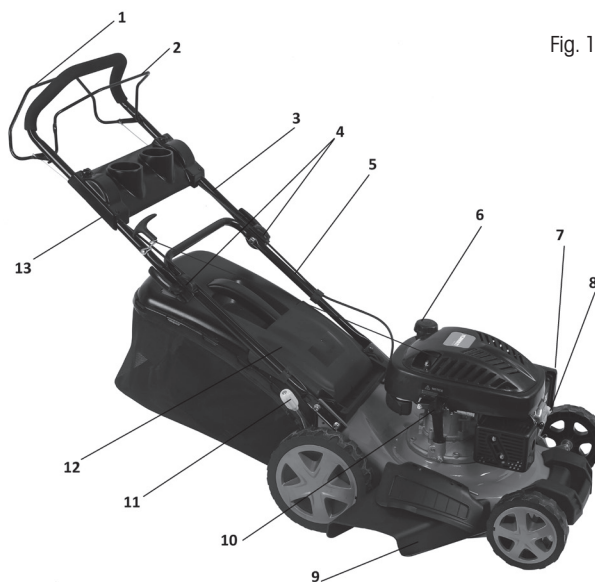


Fig. 1

### 4. ASSEMBLY/PREPARATION

Before assembling and starting the petrol lawnmower, first carefully read the entire user's manual and the instructions contained in it.

**⚠ IMPORTANT INFORMATION:** The lawnmower is supplied **WITHOUT FUEL AND OIL** in the engine. Your new lawnmower was tested at the production plant meaning that a small amount of residual oil may be in the engine.

#### **TAKING THE LAWNMOWER OUT OF THE CARDBOARD PACKAGING**

Take the lawnmower out of the cardboard packaging and check that no loose parts are left in the packaging.

## 5. ASSEMBLING THE LAWNMOWER

**⚠ IMPORTANT INFORMATION:** Carefully unfold the lawnmower handle, being careful not to pinch or damage the lawnmower's control cables.

### 1. ASSEMBLING THE HANDLE

1. Insert the bottom part of the handle (Fig. 2 – point 1) into the respective hole on the lawnmower (see arrow) and secure in place with 4 screws – two screws on each side of the handle.
2. Attach the top part of the handle (Fig. 2 – point 2) to the bottom part of the handle using the included screws with the quick coupler and wing nuts (Fig.2 – point 3).

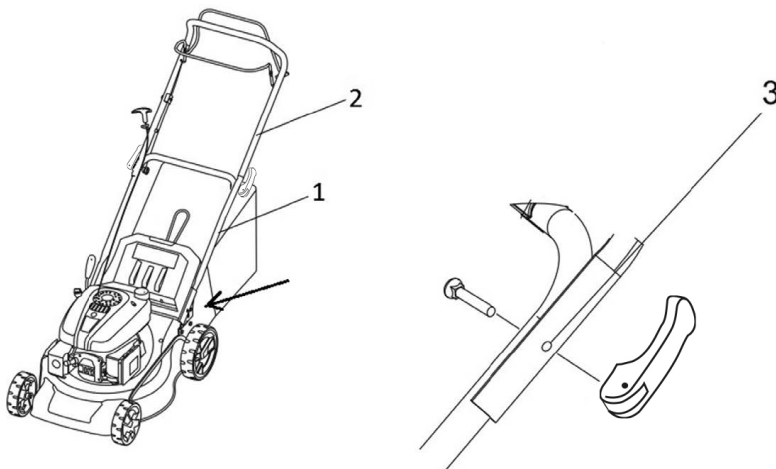


Fig. 2

### 2. INSTALLING THE HANDLE PANEL

Attach the plastic handle panel using the included screws (fig. 3).

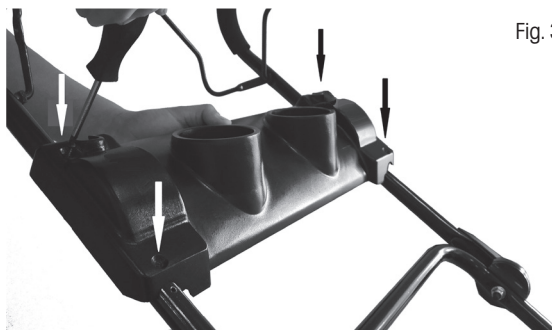


Fig. 3



### 3. ASSEMBLING THE GRASS CATCHER

Secure the plastic hooks at the end of the textile part of the grass catcher into the steel frame (fig. 4).



Fig. 4

**⚠ IMPORTANT NOTICE:** The grass catcher is equipped with a full indicator. It is a plastic flap at the rear of the grass catcher. When the grass catcher is not full, the flap is raised. When it closes, it is necessary to tip out the grass catcher.

## 6. BEFORE STARTING THE LAWNMOWER

### ADDING OIL

**The lawnmower is supplied without motor oil. Before first start up, add motor oil SAE30 or 15W-40 (approx 500 ml) according to the following instructions.**

1. When pouring in the oil, place the lawnmower on a level surface.
2. Pull the cap with the oil dipstick out of the oil refill hole (Fig. 5).
3. After adding oil, put the dipstick back into the hole and tighten it.
4. The oil level must be between the upper (MAX) and lower (MIN) limit (Fig. 5).

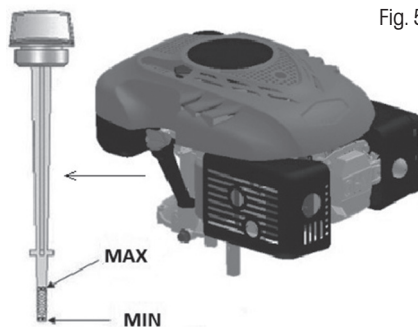


Fig. 5

**⚠ Caution!** DO NOT OVERFILL the oil tank, otherwise a large amount of smoke will come out of the exhaust when the lawnmower is started up.

**⚠ IMPORTANT INFORMATION:** Check the oil level before every use of the lawnmower. Add oil if necessary. Add oil up to the MAX level mark on the oil dipstick.

**⚠ IMPORTANT INFORMATION:** Replace the oil after the first 5 hours of operation and subsequently after every 25 hours of operation.

### ADDING FUEL

**The suitable type of fuel for this engine is NATURAL 95**

After unscrewing the fuel tank cap (Fig 1 – point 6), add the fuel, pouring it in all the way up to the collar of the fuel tank but do not overfill it.

Always add fresh, clean and approved lead-free petrol with an octane rating of at least 95.

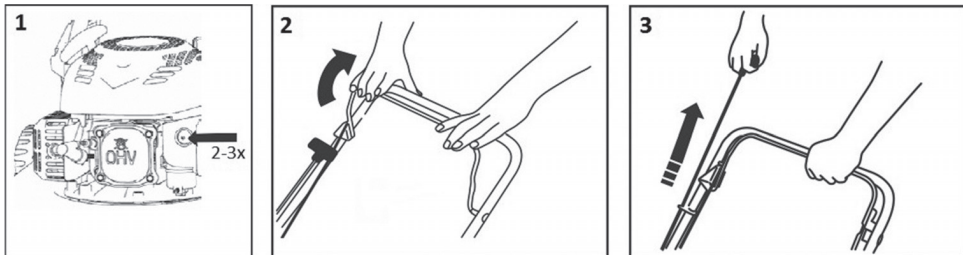
- ⚠ **Caution!** In the event that you spill any oil or fuel on the lawnmower when refilling, wipe it away immediately. Do not store or add fuel or handle it in any way in the vicinity of an open fire.
- ⚠ **Caution!** Fuels mixed with alcohol or fuels with ethanol or methane additives may bind moisture to themselves, which may result in separation during storage and the formation of acids. Subsequently during storage the acid vapours may damage the fuel system of the lawnmower engine. These fuels must not be used in the lawnmower.
- ⚠ **IMPORTANT INFORMATION:** When not using the lawnmower for longer than 30 days, drain the fuel tank, start the engine and let it run until the fuel lines and the carburettor are empty (the engine will stop on its own). This will prevent future engine problems. Before using it again, add fresh fuel into the fuel tank. For more information, see chapter Storage instructions.

## 7. CONTROLLING AND OPERATING THE LAWNMOWER

### STARTING THE LAWNMOWER

1. If the engine is not warmed up, press the fuel primer bulb 2-3 times (Fig. 6 – point 1). If the engine is already warm, it is not necessary to use the fuel primer bulb.
2. Pull the start/brake lever towards the handle and hold it there (Fig. 6 – point 2), then pull on the pull cord (Fig. 6 – point 3). The engine should start up after 3-4 pulls.
3. The engine is turned off by releasing the start/brake lever.

Fig. 6

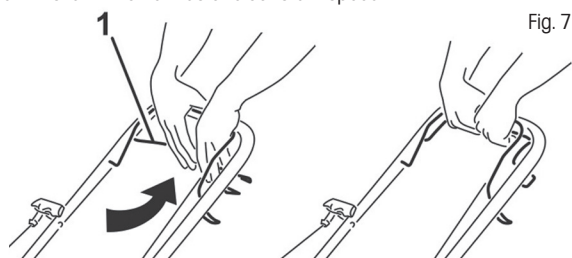


- ⚠ **Caution!** A small amount of smoke may be emitted when the engine is started up for the first time as the protective layers in the engine are burnt off. This is completely normal and does not constitute a problem.

## CONTROLLING TRAVEL

The travel is controlled using the travel lever (Fig. 7 – point 1). When the lever is pulled to the handle, the lawnmower will start moving.

To stop, release the lever. This lawnmower has one constant speed.



## APPLICATION RANGE FOR THE PETROL LAWNMOWER

Mowing with collection of grass clippings in a grass catcher

Mowing with rear discharge of grass clippings

Mowing with side discharge

Mulching - mowing with loose placement of grass clippings on the lawn

**⚠ Attention! Do not use the mower on slopes with an inclination of more than 20° - otherwise motor seizure might occur!!!**

## MOWING WITH THE GRASS CATCHER

When the grass catcher is installed, grass clippings are discharged into the grass catcher

**⚠ Caution!** In case of poor collection of mown grass, please increase the mowing height and check whether the lawn is wet.

## MOWING WITH REAR DISCHARGE

Without the grass catcher installed, the grass catcher cover serves as a deflector that directs the movement of the grass clippings towards the ground. A row of grass clippings is thereby formed behind the lawnmower

## MOWING WITH SIDE DISCHARGE

**⚠ Caution!** Attach and remove the side discharge deflector only with the engine turned off.

Use your hand to lift the side discharge cover and attach the side discharge deflector (fig. 8). In order to mow with side discharge, it is necessary to install a mulching plug into the discharge chute.



## MULCHING

**⚠ Caution!** Attach and remove the mulching plug only with the engine turned off.

**⚠ Caution!** Use only original mulching accessories when mulching.

1. Remove the grass catcher and hold the plastic grass catcher cover with your hand (Fig. 9 – point 1)
2. Install the mulching plug into the discharge chute (Fig. 9 – point 2) and make sure that the plug is seated firmly.

**⚠ IMPORTANT INFORMATION:** Do not mulch tall grass all at once, this will prevent overloading the lawnmower mechanism and the engine.

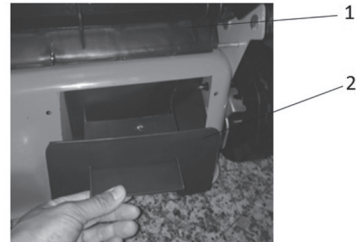


Fig. 9

## SETTING THE MOWING HEIGHT

The mowing height is set centrally using the central mowing height adjustment lever (Fig. 1 – point 11). You can select from 5 positions in the range of 25 to 75 mm. The middle mowing height is the most suitable for the majority of lawns.

Lawn damage may result when the lowest height is set.

**⚠ Caution!** For maximum effectiveness, please always trim the grass by no more than 1/3 of its length. To mow overgrown grass, proceed step by step and decrease the height setting by one step after each mowing. To keep quality lawn, do not use the lowest mowing height setting.

## REPLACING THE MOWING BLADES

**⚠ Caution!** For this task, we recommend that you contact an authorised service centre.

**⚠ Caution!** Prior to removing the blade, drain the oil from the oil tank.

If you wish to replace the mowing blade, remove the bolt (Fig. 10). Perform the installation according to the provided picture. Tighten the screw. The tightening torque is 40 Nm. When replacing the the blade, replace the fastening bolt also.

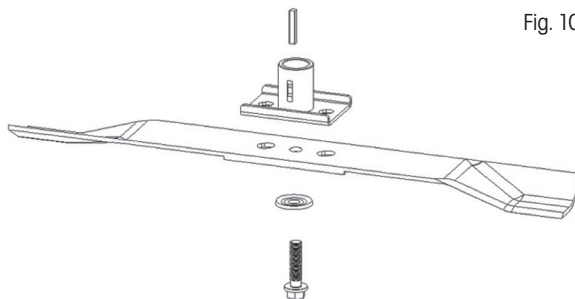


Fig. 10

## CHANGING THE MOTOR OIL

**⚠ Caution!** For this task, we recommend that you contact an authorised service centre.

Start up the lawnmower motor for a while to warm up the oil. Then extract the oil with the FRZ 9050 oil extractor.

Add type SAE30 or 15W-40 oil into the oil tank. When the oil dipstick is inserted into the hole and screwed in, the oil level should be between the Min and Max marks (Fig. 11). Do not overfill the oil tank. Start the engine and allow it to run for a short time. Stop the engine, wait 1 minute and remeasure the oil level in the oil tank. Add oil to the required level if necessary.

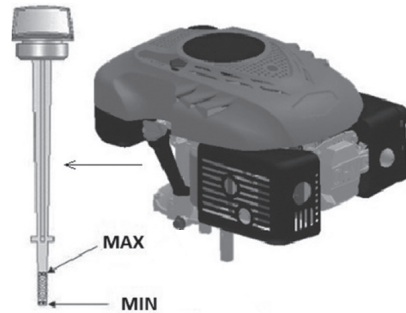


Fig. 11

# 8. SAFETY INSTRUCTIONS

## GENERAL SAFETY INSTRUCTIONS

- ✿ This product is used exclusively for mowing grass. Do not use it for any other purposes than those intended. Otherwise there is a risk of damaging it or an injury.
- ✿ Never allow children or persons who are not acquainted with the contents of this user's manual to work with the machine.
- ✿ The person operating the lawnmower is responsible for the safety of persons in the work area. Never operate the lawnmower in the near vicinity of other people, children or freely roaming animals.
- ✿ Before starting mowing, check the terrain where the lawnmower will be used and remove stones, wires, sticks, splinters, bones and other foreign objects, which could become caught in it or deflected or cause injuries.

## INSTRUCTIONS FOR USE

- ✿ All nuts, pins and bolts must be properly tightened so that the machine is in a safe and operational condition.
- ✿ Never use the lawnmower without the grass catcher or protective cover.
- ✿ Never use the lawnmower with loose mowing blades. Always check in advance that all respective bolts are securely tightened. Blunt blades must be sharpened evenly. Damaged blades must be replaced.
- ✿ When working with the lawnmower, wear long pants and solid footwear.
- ✿ Never start the lawnmower in enclosed or poorly ventilated areas where fumes could accumulate. Emissions from the engine contain carbon monoxide, which is life threatening.
- ✿ Work only during sufficient light conditions (in daylight or sufficient artificial lighting).
- ✿ Do not use the lawnmower when it is raining or if the grass is wet.
- ✿ Proceed especially carefully when mowing in elevated terrain (on a slope). Always mow perpendicular to the slope, parallel to the contour, and not directly up/down.

- ✿ Under no condition leave the lawnmower running without supervision; if you leave the lawnmower, turn off the engine.
- ✿ Never lift the rear part of the lawnmower when starting it and always keep your limbs away from the cutting deck or the rear grass ejection chute while the engine is running.
- ✿ Never modify the engine's speed setting.
- ✿ On lawnmowers with travel, release the travel lever before starting the engine.
- ✿ Never transport the lawnmower while its engine is running.
- ✿ Stop the engine and disconnect the spark plug in the following cases:
  - when performing any task whatsoever under the mowing deck or in the rear grass ejection chute.
  - when performing maintenance, repairs or inspecting the machine.
  - before carrying, lifting or transporting the lawnmower.
  - when you leave the lawnmower without supervision or you are getting ready to adjust the mowing height.
  - before removing and emptying the grass catcher.
  - when an impact with a foreign object occurs, stop the engine and carefully inspect to ensure that there is no damage. In the event of damage, take the lawnmower to a specialised service centre for repairs.

**⚠ ATTENTION:** The mowing blade continues to rotate for several seconds after the engine is turned off.

- if the lawnmower is vibrating abnormally (immediately identify and remedy the cause of the vibration).
- For the purpose of ensuring safe operation, regularly check that the pins, bolts and nuts on the lawnmower are securely tightened.

**⚠ ATTENTION:** FUEL IS A VERY FLAMMABLE LIQUID.

- ✿ Store fuel in a suitable container.
- ✿ Only add fuel in an open and well ventilated location. When handling fuel, do not smoke or use a mobile phone.
- ✿ Only add fuel when the engine is turned off. Never open the fuel tank or add fuel if the engine is hot or if it is running.
- ✿ If fuel is spilled, do not start the engine. Take the lawnmower away from the location where the fuel was spilled and take care to avoid possible ignition. Continue with work only after the spilled fuel has evaporated and the fuel fumes have dissipated;
- ✿ After adding fuel, securely tighten the fuel tank cap and the cap on the fuel canister.

**⚠ ATTENTION:** Before carrying out maintenance or repairs, stop the engine and disconnect the spark plug.

## 9. MAINTENANCE

### LAWN CARE

- ✿ Various forms of care are required depending on the type of grass area.
- ✿ Therefore, always read the instructions included on seed packages with respect to the mowing height for the growing conditions in the given locality.
- ✿ It is necessary to always keep in mind that the larger part of grass consists of a stem and one or more leaves. When the leaves are cut off completely, the lawn is damaged and the renewal of growth will be much more difficult.

- ✿ The following instructions generally apply:
  - excessively low mowing causes disruption to the roots and subsequently “spotty” appearance;
  - in summer, mowing must be higher to prevent the soil from drying out;
  - mowing wet grass may result in a lower efficiency of the blade due to grass catching on the blade and grass being ripped out of the ground;
  - in the event of exceptionally tall grass it is appropriate to perform the first mow at the maximum permitted mowing height of the machine and then mow again only after two or three days.
- ✿ The lawn will have a better appearance when it is mowed regularly over its entire area at the same height with alternating mowing directions.

## MAINTENANCE

- ✿ All nuts, pins and bolts must be properly tightened so that the machine is in a safe and operational condition. Regular maintenance is the basic prerequisite for ensuring safety of the user, maintain the lawnmower’s operating condition and high performance.
- ✿ Never store a machine with petrol in the fuel tank inside a building where the fumes could come within range of an open fire, sparks or sources of high temperature
- ✿ Before storing in any enclosed area, allow the engine to cool down.
- ✿ To reduce the risk of a fire, ensure that the lawnmower and in particular the engine, exhaust muffler, battery and also the location of spare fuel storage are free of grass, leaves or excessive amounts of lubricant.
- ✿ Regularly inspect the condition of the deflector and the grass catcher; replace if damaged.
- ✿ Drain the fuel in a well ventilated area when the engine has cooled down.
- ✿ When removing or installing the mowing blade, use thick work gloves.
- ✿ It is necessary to check the balance of the mowing blade every time that it is sharpened.

**⚠ ATTENTION:** Before carrying out maintenance or repairs, stop the engine and disconnect the spark plug.

- ✿ Regularly inspect the lawnmower and ensure that all grass deposits are removed from the underside of the chassis.
- ✿ Regularly lubricate the axle of the chassis and the bearings using a suitable lubricant.
- ✿ Regularly inspect the condition of the blades because they have a significant effect on the performance of the lawnmower. Blades should always be sharp and balanced.
- ✿ In regular intervals, check that all nuts and bolts are tightened. Nuts and bolts that are worn out or incorrectly tightened may cause serious damage to the engine or the frame.
- ✿ If the blade strongly impacts an obstacle, stop the lawnmower and take it to an authorised service centre.
- ✿ **BLADE:** the blade is made from pressed steel. To achieve the best possible mowing results, regularly sharpen the blades, approximately after every 25 hours of operation. Check that the blade is always correctly balanced. To do this, insert a steel axle (with a diameter of 2-3 mm) into the middle hole. If it is correctly levelled, the axis will remain in the horizontal position.
- ✿ If the blade does not remain in the horizontal position, replace it.
- ✿ When removing the blade, screw out the bolt, check the load bearing part of the blade. If the parts are worn out or damaged, replace them.

**⚠ ATTENTION:** Always use only original spare parts. Poor quality spare parts may cause serious damage to the lawnmower and create a safety hazard.

## SERVICE

- ✿ In the event that after purchasing the product you find any kind of defect, contact the service department. When using the product, follow the instructions contained in the included user's manual.
- ✿ A complaint will not be accepted if you modified the product or if you did not follow the instructions in the user's manual.

## WARRANTY DOES NOT COVER

- ✿ Normal wear and tear of operating parts of the machine as a result of its use
- ✿ Servicing tasks related to standard maintenance of the machine (e.g. cleaning, lubrication, tuning, etc.). Defects caused by external effects (e.g. climatic conditions, dustiness, inappropriate use, etc.)
- ✿ Mechanical damage resulting from the machine being dropped, impact, etc.
- ✿ Damages resulting from unprofessional handling, overloading, use of incorrect parts, inappropriate tools, etc.
- ✿ On returned products that were not properly protected against mechanical damage during transport, the risk of potential damage is borne exclusively by the owner.

## STORAGE

- ✿ If you will not be using the machine for an extended period of time, store it according to the following instructions. This will extend the lifetime of the machine.
- ✿ Fully drain fuel from the fuel tank and the carburettor.
- ✿ Screw out the spark plug and pour a small amount of motor oil into the socket. Gently pull the pull cord 2 to 3 times.
- ✿ Use a clean cloth to clean the exterior surfaces. Store the machine in a clean dry location.



## 10. TECHNICAL SPECIFICATIONS

Engine	RATO RV145-S
Engine type	OHV, air cooled, 4-stroke
Rated power	2.50 kW
Engine rpm	3000 rpm
Displacement	144 cm <sup>3</sup>
Starting	Pull cord
Fuel tank volume	1.5 litres
Recommended fuel	Petrol - lead-free, at least 95 octane
Oil tank volume	0.5 l
Recommended oil	SAE30, 15W-40
Mowing height adjustment	Central, 8 positions
Adjustable mowing height range	25-70 mm
Mowing coverage	460 mm
Wheel size	Front 178 mm, rear 254 mm
Grass catcher capacity	65 l
Chassis	steel
Declared noise level	96 dB (A)
Maximum vibration level	12.5 m/s (K=1.5)
Weight	29 kg

Amendments to text and technical parameters are reserved.

Changes in the text, design and technical specifications may be made without prior notice and we reserve the right to make such changes.

# 11. DISPOSAL

## **INSTRUCTIONS AND INFORMATION REGARDING THE DISPOSAL OF USED PACKAGING MATERIALS**

Dispose of used packaging material at a site designated for waste in your municipality.



The machine and its accessories are manufactured from various materials, e.g. metal and plastic.

Take damaged parts to a recycling centre. Inquire at the relevant government department.



This product meets all the basic requirements of EU directives that apply to it.

Changes in the text, design and technical specifications may be made without prior notice and we reserve the right to make these changes.

User s manual in the original language.

# Benzínová sekačka na trávu

## NÁVOD K OBSLUZE

**Děkujeme vám, že jste si zakoupili tuto zahradní benzínovou rotační sekačku. Než ji začnete používat přečtěte si, prosím, pozorně tento návod k obsluze a uschovejte jej pro případ dalšího použití.**

## OBSAH

1. VŠEOBECNÉ BEZPEČNOSTNÍ PŘEDPISY.....	20
Důležitá bezpečnostní upozornění.....	20
Obal.....	20
Návod k použití.....	20
2. VYSVĚTLENÍ ŠTÍTKŮ S POKYNY NA STROJI.....	21
3. POPIS SEKAČKY (OBR 1).....	23
4. SESTAVENÍ/PŘÍPRAVA.....	23
Vyjměte sekačku z kartonového obalu.....	23
5. SESTAVENÍ SEKAČKY.....	24
Sestavení madla.....	24
Instalace panelu madla.....	24
6. PŘED SPUŠTĚNÍM SEKAČKY.....	25
Nalítí oleje.....	25
Doplnění paliva.....	25
7. OVLÁDÁNÍ A PROVOZ SEKAČKY.....	26
Start sekačky.....	26
Ovládání pojezdu.....	27
Sečení se zadním výhozem.....	27
Sečení s bočním odhozem.....	27
Mulčování.....	28
Nastavení výšky sečení.....	28
Výměna žacíh nožů.....	28
8. BEZPEČNOSTNÍ POKYNY.....	29
Všeobecné bezpečnostní pokyny.....	29
Pokyny k používání.....	29
9. ÚDRŽBA.....	30
Péče o trávník.....	30
Údržba.....	31
Servis.....	31
Záruka se nevztahuje.....	32
Uskladnění.....	32
10. TECHNICKÉ ÚDAJE.....	33
11. LIKVIDACE.....	34

# 1. VŠEOBECNÉ BEZPEČNOSTNÍ PŘEDPISY

## DŮLEŽITÁ BEZPEČNOSTNÍ UPOZORNĚNÍ

- ✿ Výrobek pečlivě vybalte a dejte pozor, abyste nevyhodili žádnou část obalového materiálu dříve, než najdete všechny součásti výrobku.
- ✿ Stroj uchovávejte na suchém místě mimo dosah dětí.
- ✿ Čtěte všechna upozornění a pokyny. Zanedbání při dodržování varovných upozornění a pokynů mohou mít za následek úraz elektrickým proudem, požár a/nebo těžká poranění.


## OBAL

Výrobek je umístěn v obalu bránícím poškozením při transportu. Tento obal je surovinou a lze jej proto odevzdat k recyklaci.

## NÁVOD K POUŽITÍ

Než začnete se strojem pracovat, přečtěte si následující bezpečnostní předpisy a pokyny k používání. Seznamte se s obslužnými prvky a správným používáním zařízení. Návod pečlivě uschovejte pro případ pozdější potřeby. Minimálně po dobu záruky doporučujeme uschovat originální obal včetně vnitřního balicího materiálu, pokladní doklad a záruční list.

V případě přepravy zabalte stroj zpět do originální krabice od výrobce, zajistíte si tak maximální ochranu výrobku při případném transportu (např. stěhování nebo odeslání do servisního střediska).

 **Poznámka:** Předáváte-li stroj dalším osobám, předejte jej společně s návodem. Dodržování přiloženého návodu k obsluze je předpokladem řádného používání stroje. Návod k obsluze obsahuje rovněž pokyny pro obsluhu, údržbu a opravy.

**Výrobce nepřebírá odpovědnost za nehody nebo škody vzniklé následkem nedodržování tohoto návodu.**

## 2. VYSVĚTLENÍ ŠTÍTKŮ S POKYNY NA STROJI



Před uvedením do provozu si prosím pozorně přečtěte návod k obsluze.



Udržujte ostatní osoby mimo pracovní oblast.



Pozor, rotující nož! Chraňte se před nebezpečím poranění končetin.



Emise toxických plynů. Benzínovou sekačku nepoužívejte v uzavřených či neventilovaných prostorech.



Horké povrchy, hrozí nebezpečí popálenin!



Před prováděním údržby vypněte motor a odpojte zapalovací svíčku.



Nikdy nedoplňujte palivo, pokud je motor spuštěný.



Upozorňuje, že v případě nedodržení pokynů hrozí nebezpečí zranění osob, smrti nebo poškození nástroje.



Používejte ochranu sluchu.  
Používejte ochranu zraku.  
Používejte ochranu dýchacích orgánů.



Neustále udržujte odstup od pohybujících se dílů.



Pohybujte se svahem po vrstevnici, ne nahoru a dolů.



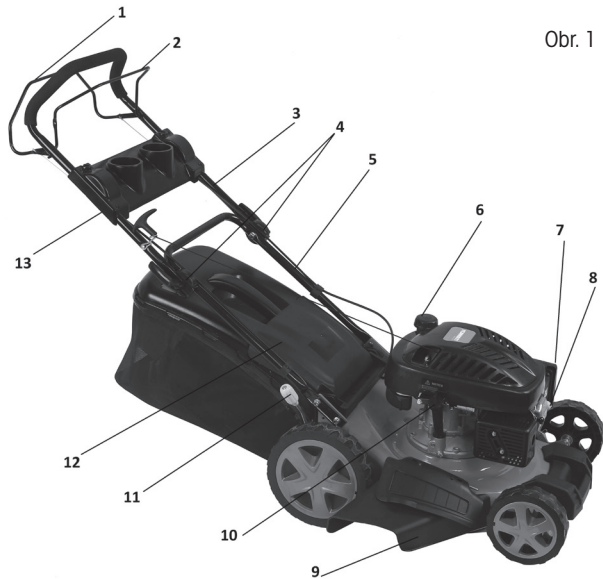
Vyhovuje všem příslušným evropským směrnicím.



Benzín je extrémně hořlavý a proto před doplňováním paliva nechte motor 2 minuty vychladnout.

### 3. POPIS SEKAČKY (Obr 1)

1. Páka pojezdu
2. Spínací / brzdová páka
3. Horní díl madla
4. Šrouby s křídlovou matkou
5. Spodní díl madla
6. Víčko palivové nádrže
7. Kryt vzduchového filtru
8. Pumpička nástřiku paliva – Primer
9. Deflektor bočního odhozu
10. Zátka s měrkou oleje
11. Páka centrálního nastavení výšky sečení
12. Kryt koše
13. Panel madla



Obr. 1

### 4. SESTAVENÍ/PŘÍPRAVA

Před sestavením a spuštěním benzínové sekačky si pečlivě přečtěte celý návod k obsluze a v něm uvedené pokyny.

**⚠ DŮLEŽITÁ INFORMACE:** Sekačka se dodává **BEZ PALIVA A OLEJE** v motoru.

Vaše nová travní sekačka byla vyzkoušena ve výrobním závodě, proto se v motoru může nacházet minimální zbytkové množství oleje.

#### **VMJMĚTE SEKAČKU Z KARTONOVÉHO OBALU**

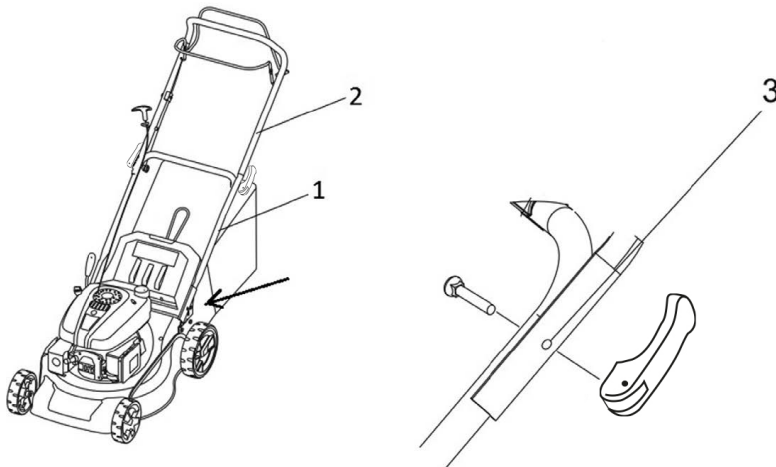
Vymějte sekačku z kartonového obalu a zkontrolujte, zda v obalu nezůstaly volné díly.

## 5. SESTAVENÍ SEKAČKY

**⚠ DŮLEŽITÁ INFORMACE:** Opatrně rozložte rukojeť sekačky a neskrípněte či nepoškodte ovládací lanka sekačky.

### 1. SESTAVENÍ MADLA

1. Zasuňte spodní část madla (Obr 2 – bod 1) do příslušných otvorů na sekačce (viz šipka) a zajistěte 4 příloženými šrouby – dva šrouby na každou stranu madla.
2. Připojte horní část madla (Obr 2 – bod 2) ke spodní části madla pomocí příložených šroubů s rychloupínákem a křídlovými maticemi (Obr 2 – bod 3).



### 2. INSTALACE PANELU MADLA

Připevněte plastový panel madla pomocí příložených šroubů (obr 3).





### 3. SESTAVENÍ KOŠE

Zajistěte plastové háčky zakončení textilní části koše do ocelové konstrukce (obr 4.)



Obr. 4

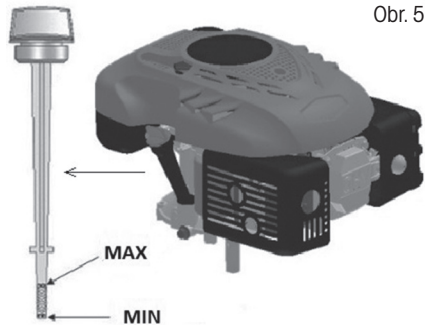
**⚠ DŮLEŽITÉ UPOZORNĚNÍ:** Koš je vybaven ukazatelem zaplnění. Jedná se o plastovou klapku v zadní části koše. Není-li koš zaplněn, klapka je přizvednutá. Při jejím zavření je nutné koš vysypat.

## 6. PŘED SPUŠTĚNÍM SEKAČKY

### NALITÍ OLEJE

**Sekačka se dodává bez motorového oleje. Před prvním startem nalijte motorový olej SAE30 nebo 15W-40 (cca 500 ml) dle následujících pokynů.**

1. Při nalévání oleje postavte sekačku na rovnou plochu.
2. Vyjměte zátku s měrkou oleje z otvoru pro dolévání oleje (Obr 5).
3. Po doplnění oleje měrku umístěte zpět do otvoru a dotáhněte ji.
4. Hladina oleje se musí pohybovat mezi horní (MAX) a dolní (MIN) mezí (Obr 5).



Obr. 5

**⚠ Upozornění!** NEPŘEPLŇTE zásobník oleje, jinak z výfuku po nastartování sekačky vyjde velké množství kouře.

**⚠ DŮLEŽITÁ INFORMACE:** Hladinu oleje kontrolujte před každým použitím sekačky. V případě potřeby olej doplňte. Olej doplňte po rysku MAX na měrce oleje.

**⚠ DŮLEŽITÁ INFORMACE:** Olej vyměňte po prvních 5 hodinách provozu a následně po každých 25 provozních hodinách.

### DOPLNĚNÍ PALIVA

**Vhodné palivo pro tento typ motoru je NATURAL 95**

Po odšroubování víčka palivové nádrže (Obr 1 – bod 6) doplňte palivo, palivo dolijte až po hrdlo palivové nádrže, ale nádrž nepřepĺňte.

Vždy doplňujte čerstvý, čistý a schválený bezolovnatý benzín s oktanovým číslem min 95.

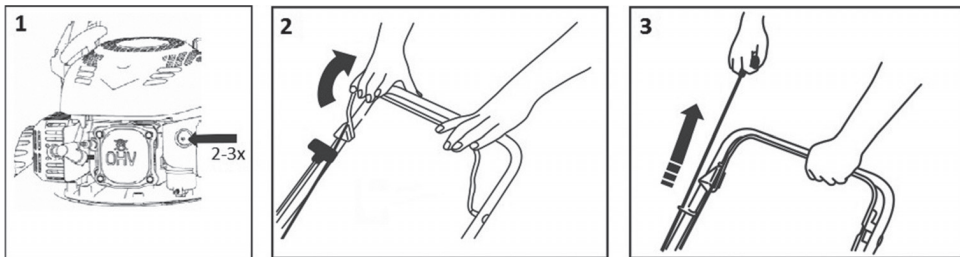
- ⚠ **Upozornění!** V případě, že při dolévání oleje či paliva sekačku potřísníte, ihned ji otřete. Palivo neskladujte, nedoplňujte ani s ním nemanipulujte v blízkosti otevřeného ohně
- ⚠ **Upozornění!** Paliva smíchaná s alkoholem či paliva s příměsí etanolu či metanu na sebe mohou vázat vlhkost, což může během skladování vést k separaci a tvorbě kyselin. Během skladování pak mohou výpary kyselin poškodit palivový systém motoru sekačky. Tyto paliva nesmějí být v sekačce používána.
- ⚠ **DŮLEŽITÁ INFORMACE:** Pokud nebudete sekačku používat déle než 30 dní, vypusťte palivovou nádrž, nastartujte motor a nechte jej běžet, dokud nedojde k vyprázdnění palivového potrubí a karburátoru (motor sám zhasne). Tento postup zabrání budoucím potížím s motorem. Před opětovným použitím do nádrže dolijte čerstvé palivo. Více podrobností naleznete v kapitole Pokyny pro skladování.

## 7. OVLÁDÁNÍ A PROVOZ SEKAČKY

### START SEKAČKY

1. Není-li motor zahřátý 2-3 stiskněte pumpičku nástřiku paliva (Obr 6 – bod 1).  
Je – li motor zahřátý, již není třeba používat pumpičky nástřiku paliva.
2. Přitáhněte spínací/brzdovou páku k madlu a držte ji (Obr 6 – bod 2), poté zatáhněte za startovací lanko (Obr 6 – bod 3). Motor by měl nejpozději po 3-4 zataženích naskočit.
3. Motor vypnete uvolněním spínací/brzdové páky.

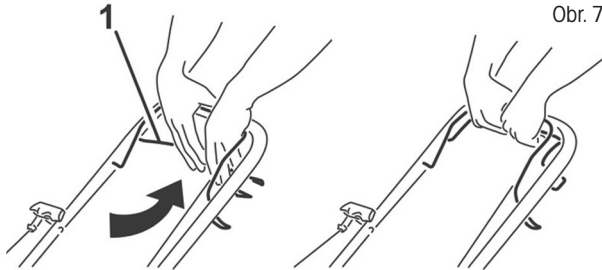
Obr. 6



- ⚠ **Upozornění!** Po prvním nastartování motoru může dojít k mírnému výskytu kouře z důvodu vypalování ochranných vrstev v motoru. Jedná se o zcela běžnou situaci, která nepředstavuje žádný problém.

## OVLÁDÁNÍ POJEZDU

Pojezd se ovládá pomocí páky pojezdu (Obr 7 – bod 1) Po přitáhnutí páky k madlu se sekačka rozjede. Pro zastavení páku opět uvolněte. Tato sekačka má jednu, konstantní rychlost.



## ROZSAH POUŽITÍ BENZÍNOVÉ SEKAČKY

- Sečení se sběrem posečené trávy do travního koše
- Sečení se zadním výhozem posečené trávy
- Sečení s bočním odhozem
- Mulčování - sečení s volným ukládáním posečené trávy na trávník

**⚠ Upozornění! Nepoužívejte sekačku na svazích s větším sklonem než 20°, hrozí zadření motoru!**

### SEČENÍ SE SBĚREM TRÁVY DO KOŠE

S nasazeným sběrným košem proudí posečená tráva do koše.

**⚠ Upozornění!** Při špatném sběru posekané trávy zvýšte výšku sečení a zkontrolujte zda není trávník vlhký.

### SEČENÍ SE ZADNÍM VÝHOZEM

Bez nasazeného sběrného koše slouží kryt koše jako tzv. deflektor, který usměrňuje pohyb posečené trávy směrem k zemi. Za sekačkou tak vzniká řádek posečené trávy.

### SEČENÍ S BOČNÍM ODHOZEM

**⚠ Upozornění!** Boční deflektor instalujte a odnímejte výhradně při vypnutém motoru.

Rukou zvednete kryt bočního odhozu a nasadíte boční deflektor (obr 8). Pro sečení s bočním odhozem je nutné instalovat do odhozového tunelu mulčovací záslepku.



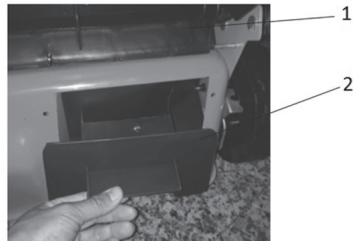
## MULČOVÁNÍ

**⚠ Upozornění!** Mulčovací záslepku instalujte a odnímejte výhradně při vypnutém motoru.

**⚠ Upozornění!** Při mulčování používejte výhradně originální mulčovací příslušenství.

1. Sejměte koš a rukou přidržte plastový kryt koše (Obr. 9 – bod 1)
2. Nasadíte mulčovací záslepku do výhozového tunelu (Obr. 9 – bod 2) a ujistěte se, že usazena opravdu pevně.

**⚠ DŮLEŽITÁ INFORMACE:** Nemulčujte přerostlou trávu najednou, zabráníte tím přetížení mechanismu sekačky a motoru.



Obr. 9

## NASTAVENÍ VÝŠKY SEČENÍ

Výšku sečení nastavíte centrálně pomocí páky centrálního nastavení výšky sečení (Obr 1 – bod 11) Volit můžete z 5 pozic v rozsahu 25 - 75 mm. Pro sečení většiny trávníků je nejvhodnější střední výška sečení. Při nastavení nejnižší výšky může dojít k poškození trávniku.

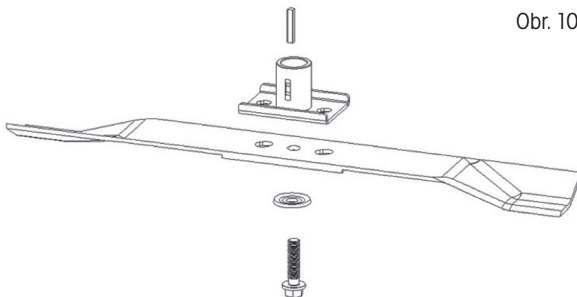
**⚠ Upozornění!** Pro dosažení maximální efektivity trávu zkracujte vždy pouze o 1/3 její délky. Přerostlou trávu sekejte postupně a po každém sečení snižte nastavení výšky o jeden stupeň. Chcete-li zachovat kvalitní trávnik, nepoužívejte nastavení na nejnižší výšku sečení.

## VÝMĚNA ŽACÍCH NOŽŮ

**⚠ Upozornění!** Za tímto účelem doporučujeme kontaktovat autorizované servisní středisko

**⚠ Upozornění!** Před demontáží nože vypusťte olej ze zásobníku oleje.

Chcete-li vyměnit žací nůž, demontujte šroub (Obr 10). Proveďte montáž podle uvedeného obrázku. Dotáhněte šroub. Uťahovací moment činí 40 Nm. Při výměně nože současně vyměňte upínací šroub nože.



Obr. 10

## VÝMĚNA MOTOROVÉHO OLEJE

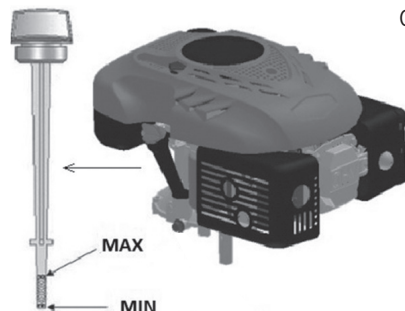
**⚠ Upozornění!** Za tímto účelem doporučujeme kontaktovat autorizované servisní středisko.

Na krátkou chvíli nastartujte motor sekačky, tak aby se olej zahřál. Olej poté odsajte odsávacíčkou olejů FZR 9050.

Doplňte do zásobníku olej typu SAE30 nebo 15W-40.

Po vložení měrky oleje do otvoru a jejím utažením by měla být hladina oleje mezi ryskami Min a Max (Obr. 11). Nepřepĺňte zásobník oleje.

Spusťte motor a nechte jej krátce běžet. Zastavte motor, počkejte 1 minutu a přeměřte hladinu oleje v zásobníku. V případě potřeby doplňte olej na požadovanou úroveň.



Obr. 11

# 8. BEZPEČNOSTNÍ POKYNY

## VŠEOBECNÉ BEZPEČNOSTNÍ POKYNY

- ✱ Tento výrobek slouží výlučně k sečení trávy. Nepoužívejte jej k jiným účelům, než pro který je určen. V opačném případě hrozí jeho poškození či úraz.
- ✱ Nikdy nedovolte dětem ani osobám neznalým tohoto návodu k použití se zařízením pracovat.
- ✱ Osoba, která obsluhuje sekačku, zodpovídá za bezpečnost osob v pracovním prostoru. Sekačku nikdy nepoužívejte v těsné blízkosti ostatních osob, dětí nebo volně pobíhajícího zvířectva.
- ✱ Před zahájením sečení zkontrolujte terén, na němž má být sekačka použita, a odstraňte z ní kameny, dráty, klacky, střepy, kosti a ostatní cizí tělesa, která by mohla být zachycena nebo vymrštěna a způsobit zranění.

## POKYNY K POUŽÍVÁNÍ

- ✱ Všechny matky, svorníky a šrouby musí být řádně dotaženy tak, aby zařízení bylo v bezpečném a provozuschopném stavu.
- ✱ Sekačku nikdy nepoužívejte bez sběrného koše nebo ochranného krytu.
- ✱ Sekačku nikdy nepoužívejte s uvolněnými čepeli nože. Vždy se předem ujistěte, že jsou příslušné šrouby dobře utažené. Ztupené čepele musejí být nabroušeny, a to rovnoměrně. Nože s poškozenými čepeli je potřeba vyměnit.
- ✱ Při práci se sekačkou použijte kalhoty s dlouhými nohavicemi a pevnou obuv.
- ✱ Sekačku nikdy nespustíte v uzavřených nebo špatně větraných prostorech, kde se mohou hromadit výpary. Emise vycházející z motoru obsahují oxid uhelnatý, který je životu nebezpečný.
- ✱ Pracujte pouze při dostatečném osvětlení (za denního světla nebo při dostatečném umělém osvětlení).
- ✱ Sekačku nepoužívejte za deště nebo je-li tráva mokrá.
- ✱ Zvláště opatrně postupujte při sekání ve zvýšeném terénu (svah). Vždy sekejte napříč svahem, paralelně k vrstevnici, a nikoliv shora/zdola kolmo na ni.
- ✱ Sekačku zásadně nenechávejte běžet bez obsluhy, pokud sekačku opustíte, vypněte motor.

- ✿ Při startování nikdy nenadzdvíhujte zadní část sekačky a nikdy nepřibližujte končetiny k podvozku či do otvoru pro zadní výhoz trávy, pokud je motor zapnutý.
- ✿ Nikdy neměňte nastavení rychlosti motoru.
- ✿ U sekaček s pojezdem, uvolněte pojezd před spuštěním motoru.
- ✿ Sekačku nikdy nepřemisťujte se spuštěným motorem.
- ✿ Zastavte motor a odpojte zapalovací svíčku v následujících případech:
  - před prováděním jakékoliv činnosti pod krytem sečení či otvorem pro zadní výhoz trávy.
  - před prováděním údržby, opravy či kontroly stroje.
  - před přenášením, zvedáním či přemisťováním sekačky.
  - ponecháváte-li sekačku bez dozoru anebo se chystáte upravit nastavení výšky sečení.
  - před demontáží a vyprazdňováním sběrného vaku.
  - dojde-li ke kolizi s cizím předmětem, zastavte motor a sekačku pečlivě prohlédněte, abyste vyloučili možnost poškození. V případě poškození, dopravte sekačku do specializovaného servisu za účelem opravy.

**⚠ POZOR:** Po vypnutí motoru se žací nůž několik sekund i nadále točí.

- v případě abnormálních vibrací sekačky (okamžitě zjistěte a zajistěte odstranění příčiny vibrace).
- Za účelem zajištění bezpečného provozu pravidelně kontrolujte řádné utažení čepů, šroubů a matic na sekačce.

**⚠ POZOR:** PALIVO JE VYSOCE HOŘLAVÁ KAPALINA.

- ✿ Palivo uchovávejte v nádobě k tomu určené.
- ✿ Palivo doplňujte pouze na otevřeném či dobře větraném prostranství. Při manipulaci s palivem nekuřte, ani nepoužívejte mobilní telefon.
- ✿ Palivo doplňujte pouze za předpokladu, že je motor vypnutý. Nikdy neotvírejte palivovou nádrž a palivo nedoplňujte, je-li motor horký anebo v chodu.
- ✿ Pokud dojde k rozliti benzínu, motor nestartujte. Odstraňte sekačku z místa, kde bylo palivo rozlito, a vyvarujte se možného vznícení. V práci pokračujte až po odpaření rozlitého paliva a rozptýlení palivových výparů;
- ✿ Po doplnění paliva dobře utáhněte kryt palivové nádrže i víko kanystru s palivem.

**⚠ POZOR:** Před prováděním údržby nebo opravy zastavte motor a odpojte zapalovací svíčku.

## 9. ÚDRŽBA

### PÉČE O TRÁVNÍK

- ✿ Dle druhu trávnaté plochy je zapotřebí použít různé způsoby péče;
- ✿ Proto po každé si přečtěte pokyny uvedené v baleníh osiv, týkající se výšky sečení vzhledem k podmínkám růstu v dané oblasti.
- ✿ Je třeba mít stále na paměti, že větší část trávy je složena ze stébla a jednoho nebo více listů. Při úplném odseknutí listů dojde k poškození trávníku a obnovení růstu bude mnohem obtížnější.
- ✿ Všeobecně platí následující pokyny:
  - příliš nízké sečení způsobuje narušení kořenů a následně „skvrnitým“ vzhledem;

- v létě musí být sečení vyšší, aby se zabránilo vysychání půdy;
  - sečení mokré trávy může způsobit snížení účinnosti nože následkem zachytávání trávy na noži a vytrhávání travnatého porostu;
  - v případě mimořádně vysoké trávy je vhodné provést první sečení s maximální dovolenou výškou stroje a poté provést druhé sečení až po dvou nebo třech dnech.
- ☛ Trávník bude mít lepší vzhled pravidelným a celoplošným posekem stejné výšky a dodržováním střídání dvou směrů.

## ÚDRŽBA

- ☛ Všechny matky, svorníky a šrouby musí být řádně dotaženy tak, aby zařízení bylo v bezpečném a provozuschopném stavu. Pravidelná údržba je základním předpokladem pro zajištění bezpečnosti uživatele, zachování provozuschopnosti a vysokého výkonu sekačky.
- ☛ Zařízení s benzínem v nádrži nikdy neuskładňujte uvnitř budovy, kde by se výpary mohly dostat do dosahu otevřeného ohně, jiskry nebo zdroje vysoké teploty
- ☛ Před uskladněním v jakémkoliv uzavřeném prostoru nechte motor vychladnout.
- ☛ Z důvodu snížení rizika požáru zajistěte, aby sekačka a obzvláště motor, tlumič výfuku, baterie a také místo uložení náhradního benzínu byly zbaveny zbytků trávy, listí anebo nadměrného množství maziva.
- ☛ Kontrolujte pravidelně stav deflektoru a sběrného koše; v případě poškození je vyměňte.
- ☛ Vypouštění paliva provádějte v době větraném prostoru při vychlazeném motoru.
- ☛ Při snímání či instalaci žacího nože používejte silné pracovní rukavice.
- ☛ Po každém nabroušení čepole žacího nože je nutné přezkontrolovat jeho vyvážení.

**⚠ POZOR:** Před prováděním údržby nebo opravy zastavte motor a odpojte zapalovací svíčku.

- ☛ Pravidelně sekačku kontrolujte a zajistěte, aby byly všechny nánosy trávy ve spodní části podvozku odstraňovány.
- ☛ Pravidelně mazejte osu podvozku a ložiska vhodným mazivem.
- ☛ Kontrolujte pravidelně stav nožů, protože mají podstatný vliv na výkon sekačky. Nože by měly být vždy ostré a vyvážené.
- ☛ V pravidelných intervalech kontrolujte dotažení všech šroubů a matic. Opořebené nebo špatně dotažené matice a šrouby mohou způsobit vážná poškození motoru nebo rámu.
- ☛ Pokud nůž prudce zasáhne překážku, sekačku zastavte a odvezte ji do autorizovaného servisu.
- ☛ Nůž: nůž je vyroben z lisované oceli. Abyste docílili co nejlepšího sečení, pravidelně nůž brusíte, přibližně po každých 25 hodinách provozu. Ujistěte se, že je nůž vždy správně vyvážený. Za tímto účelem vložte do středového otvoru nože železnou osičku (o průměru 2-3 mm). Je-li nůž správně vyvážen, osa se udrží v horizontální poloze.
- ☛ Pokud se nůž neudrží v horizontální poloze, vyměňte jej.
- ☛ Při demontáži nože odšroubujte šroub, zkontrolujte nosnou část nože. Pokud jsou části opořebené nebo poškozené, vyměňte je.

**⚠ POZOR:** Používejte pouze originální náhradní díly. Nekvalitní náhradní díly mohou způsobit vážná poškození sekačky a ohrozit vaši bezpečnost.

## SERVIS

- ☛ V případě, že po zakoupení výrobku zjistíte jakoukoli závadu, kontaktujte servisní oddělení. Při použití výrobku se řiďte pokyny uvedenými v přiloženém návodu k použití.

- ✿ Na reklamaci nebude brán zřetel, pokud jste výrobek pozměnili či jste se neřídili pokyny uvedenými v návodu k použití.

### **ZÁRUKA SE NEVZTAHUJE**

- ✿ Na přirozené opotřebení funkční částí stroje v důsledku jeho používání
- ✿ Na servisní zásahy související se standardní údržbou stroje (např. čištění, mazání, seřízení apod.) Na závady způsobené vnějšími vlivy (např. klimatickými podmínkami, prašností, nevhodným použitím apod.)
- ✿ Na mechanická poškození v důsledku pádu stroje, nárazu, úderu do něj apod.
- ✿ Na škody vzniklé neodborným zacházením, přetížením, použitím nesprávných dílů, nevhodných nástrojů apod.
- ✿ U reklamovaných výrobků, které nebyly řádně zabezpečeny proti mechanickému poškození při přepravě nese riziko případné škody výhradně majitel.

### **USKLADNĚNÍ**

- ✿ Pokud stroj delší dobu nepoužíváte, přístroj uskladněte dle následujících pokynů. Prodloužíte tak životnost stroje.
- ✿ Kompletně vylijte palivo z palivové nádrže a karburátoru.
- ✿ Vyšroubujte zapalovací svíčku a nalijte do otvoru malé množství motorového oleje. Jemně potáhněte 2 až 3krát startér.
- ✿ Čistým hadrem vyčistěte vnější plochy. Stroj uskladněte na čistém a suchém místě.



## 10. TECHNICKÉ ÚDAJE

Motor	RATO RV145-S
Typ motoru	OHV, vzduchem chlazený, 4 taktní
Nominální výkon	2,50 kW
Otáčky motoru	3000 ot./min
Zdvihový objem	144 cm <sup>3</sup>
Startování	Tahem
Objem palivové nádrže	1,5 litru
Doporučené palivo	Benzín- bezolovnatý, min 95 oktanů
Objem olejové nádrže	0,5 l
Doporučený olej	SAE30, 15W-40
Nastavení výšky sečení	Centrálně, 8 pozic
Nastavitelný rozsah výšky sečení	25-70 mm
Záběr sečení	460 mm
Velikost kol	Přední 178 mm, zadní 254 mm
Kapacita sběrného koše	65 l
Šasi	ocel
Deklarovaná úroveň hluku	96 dB(A)
Maximální úroveň vibrací	12,5 m/s (K=1,5)
Hmotnost	29 kg

Změna textu a technických parametrů vyhrazena.

Změny v textu, designu a technických specifikacích se mohou měnit bez předchozího upozornění a vyhražujeme si právo na jejich změnu

## 11. LIKVIDACE

### **POKYNY A INFORMACE O NAKLÁDÁNÍ S POUŽITÝM OBALEM**

Použitý obalový materiál odložte na místo určené obcí k ukládání odpadu.



Stroj a jeho příslušenství jsou vyrobeny z různých materiálů, např. z kovu a plastů.  
Poškozené součástky odevzdejte do tříděného sběru. Informujte se u příslušného úřadu.



Tento výrobek splňuje veškeré základní požadavky směrnice EU, které se na něj vztahují.

Změny v textu, designu a technických specifikacích se mohou měnit bez předchozího upozornění a vyhrazujeme si právo na jejich změnu.

Návod k použití v originálním jazyce.

# Benzínová kosačka na trávu

## NÁVOD NA OBSLUHU

**Ďakujeme vám, že ste si kúpili túto záhradnú benzínovú rotačnú kosačku. Skôr ako ju začnete používať, prečítajte si, prosím, pozorne tento návod na obsluhu a uschovajte ho pre prípad ďalšieho použitia.**

## OBSAH

1. VŠEOBECNÉ BEZPEČNOSTNÉ PREDPISY .....	36
Dôležité bezpečnostné upozornenia .....	36
Obal .....	36
Návod na použitie.....	36
2. VYSVETLENIE ŠTÍTKOV S POKYNNI NA STROJI .....	37
3. POPIS KOSAČKY (OBR. 1) .....	39
4. ZOSTAVENIE/PRIÍPRAVA .....	39
Vyberte kosačku z kartónového obalu .....	39
5. ZOSTAVENIE KOSAČKY .....	40
1. Zostavenie držadla.....	40
2. Inštalácia panelu držadla.....	40
3. Zostavenie koša .....	41
6. PRED SPUSTENÍM KOSAČKY.....	41
Naliatie oleja .....	41
Doplnenie paliva .....	41
7. OVLÁDANIE A PREVÁDZKA KOSAČKY .....	42
Štart kosačky.....	42
Ovládanie pojazdu .....	43
Kosenie so zberom trávy do koša .....	43
Kosenie so zadným vyhadzovaním .....	43
Kosenie s bočným vyhadzovaním .....	43
Mulčovanie .....	44
Nastavenie výšky kosenia .....	44
Výmena žacích nožov .....	44
Výmena motorového oleja .....	45
8. BEZPEČNOSTNÉ pokyny .....	45
Všeobecné bezpečnostné pokyny .....	45
Pokyny na používanie.....	45
9. ÚDRŽBA .....	46
Starostlivosť o trávnik.....	46
Údržba.....	47
Servis.....	48
Záruka sa nevzťahuje.....	48
Uskladnenie.....	48
10. TECHNICKÉ ÚDAJE .....	49
11. LIKVIDÁCIA.....	50

# 1. VŠEOBECNÉ BEZPEČNOSTNÉ PREDPISY

## DÔLEŽITÉ BEZPEČNOSTNÉ UPOZORNENIA

- \* Výrobok starostlivo vybalte a dajte pozor, aby ste nevyhodili žiadnu časť obalového materiálu, skôr ako nájdete všetky súčasti výrobku.
- \* Stroj uchovávajte na suchom mieste mimo dosahu detí.
- \* Čítajte všetky upozornenia a pokyny. Zanedbanie pri dodržiavaní varovných upozornení a pokynov môže mať za následok úraz elektrickým prúdom, požiar a/alebo ťažké poranenia.


## OBAL

Výrobok je umiestnený v obale brániacom poškodeniu pri transporte. Tento obal je surovinou a je preto možné ho odovzdať na recykláciu.

## NÁVOD NA POUŽITIE

Skôr ako začnete so strojom pracovať, prečítajte si nasledujúce bezpečnostné predpisy a pokyny na používanie. Oboznámte sa s obslužnými prvkami a správnym používaním zariadenia. Návod dôkladne uschovajte pre prípad neskoršej potreby. Minimálne počas záruky odporúčame uschovať originálny obal vrátane vnútorného baliaceho materiálu, pokladničný doklad a záručný list.

V prípade prepravy zabalte stroj späť do originálnej škatule od výrobcu, zaistíte si tak maximálnu ochranu výrobku pri prípadnom transporte (napr. sťahovanie alebo odoslanie do servisného strediska).

 **Poznámka:** Ak odovzdávate stroj ďalším osobám, odovzdajte ho spoločne s návodom. Dodržiavanie priloženého návodu na obsluhu je predpokladom riadneho používania stroja. Návod na obsluhu obsahuje tiež pokyny na obsluhu, údržbu a opravy.

**Výrobca nepreberá zodpovednosť za nehody alebo škody vzniknuté následkom nedodržiavania tohto návodu.**

## 2. VYSVETLENIE ŠTÍTKOV S POKYNYMI NA STROJI



Pred uvedením do prevádzky si, prosím, pozorne prečítajte návod na obsluhu.



Udržujte ostatné osoby mimo pracovnej oblasti.



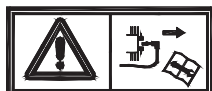
Pozor, rotujúce nože! Chráňte sa pred nebezpečenstvom poranenia končatín.



Emisia toxických plynov. Benzínovú kosačku nepoužívajte v uzatvorených či neventilovaných priestoroch.



Horúce povrchy, hrozí nebezpečenstvo popálenín!



Pred vykonávaním údržby vypnite motor a odpojte zapalovaciu sviečku.



Nikdy nedoplňujte palivo, ak je motor spustený.



Upozorňujeme, že v prípade nedodržania pokynov hrozí nebezpečenstvo zranenia osôb, smrti alebo poškodenia nástroja.



Používajte ochranu sluchu.  
Používajte ochranu zraku.  
Používajte ochranu dýchacích orgánov.



Neustále udržiavajte odstup od pohybujúcich sa dielov.



Pohybujte sa svahom po vrstevnici, nie nahor a dole.



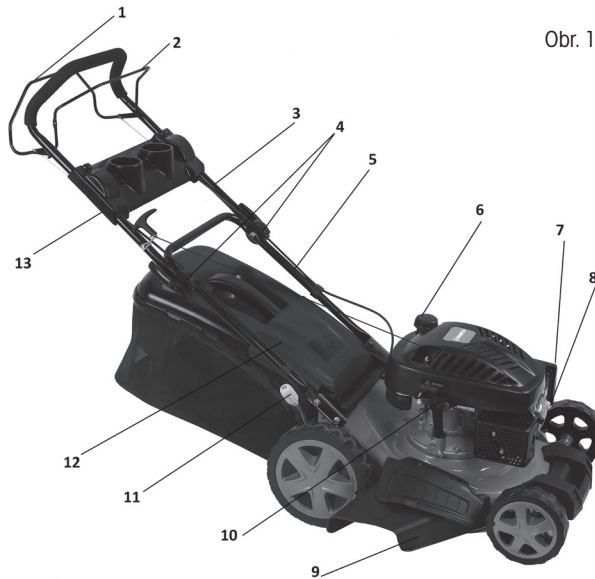
Vyhovuje všetkým príslušným európskym smerniciam.



Benzín je extrémne horľavý a preto pred dopĺňovaním paliva nechajte motor 2 minúty vychladnúť.

### 3. POPIS KOSAČKY (Obr. 1)

1. Páka pojazdu
2. Spínacia/brzdová páka
3. Horný diel držadla
4. Skrutky s krídlou maticou
5. Spodný diel držadla
6. Viečko palivovej nádrže
7. Kryt vzduchového filtra
8. Pumpička nástreku paliva – Primer
9. Deflektor bočného vyhadzovania
10. Zátka s mierkou oleja
11. Páka centrálného nastavenia výšky kosenia
12. Kryt koša
13. Panel držadla



Obr. 1

### 4. ZOSTAVENIE/PRÍPRAVA

Pred zostavením a spustením benzínovej kosačky si pozorne prečítajte celý návod na obsluhu a v ňom uvedené pokyny.

**⚠ DÔLEŽITÁ INFORMÁCIA:** Kosačka sa dodáva **BEZ PALIVA A OLEJA** v motore.

Vaša nová kosačka na trávnu bola vyskúšaná vo výrobnom závode, preto sa v motore môže nachádzať minimálne zvyškové množstvo oleja.

#### **VYBERTE KOSAČKU Z KARTÓNOVÉHO OBALU**

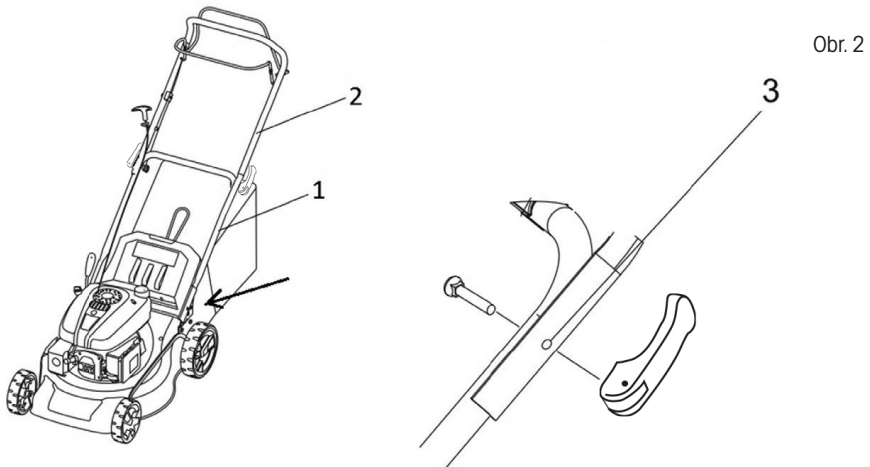
Vyberte kosačku z kartónového obalu a skontrolujte, či v obale nezostali voľné diely.

## 5. ZOSTAVENIE KOSAČKY

**⚠ DÔLEŽITÁ INFORMÁCIA:** Opatrne rozložte rukoväť kosačky a nepriškripte či nepoškodte ovládacie lanká kosačky.

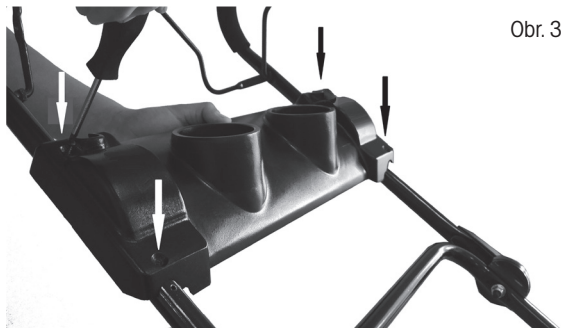
### 1. ZOSTAVENIE DRŽADLA

1. Zasuňte spodnú časť držadla (Obr. 2 – bod 1) do príslušných otvorov na kosačke (pozrite šípku) a zaistite 4 priloženými skrutkami – dve skrutky na každú stranu držadla.
2. Prípojte hornú časť držadla (Obr. 2 – bod 2) k spodnej časti držadla pomocou priložených skrutiek s rýchloupínačom a krídlovými maticami (Obr. 2 – bod 3).



### 2. INŠTALÁCIA PANELU DRŽADLA

Pripevnite plastový panel držadla pomocou priložených skrutiek (obr. 3).





### 3. ZOSTAVENIE KOŠA

Zaistíte plastové háčiky zakončenia textilnej časti koša do ocelevej konštrukcie (obr. 4.)



Obr. 4

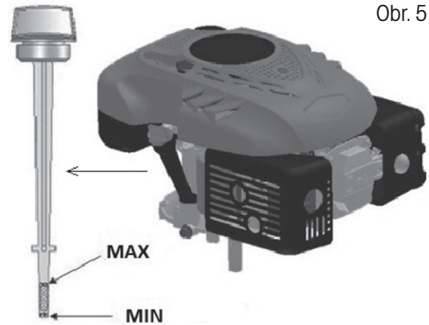
**⚠ DÔLEŽITÉ UPOZORNENIE:** Kôš je vybavený ukazovateľom zaplnenia. Ide o plastovú klapku v zadnej časti koša. Ak nie je kôš zaplnený, klapka je nadvihnutá. Pri jej zatvorení je nutné kôš vysypať.

## 6. PRED SPUSTENÍM KOSAČKY

### NALIATIE OLEJA

**Kosačka sa dodáva bez motorového oleja. Pred prvým štartom nalejte motorový olej SAE30 alebo 15W-40 (cca 500 ml) podľa nasledujúcich pokynov.**

1. Pri nalievaní oleja postavte kosačku na rovnú plochu.
2. Vyberte zátku s mierkou oleja z otvoru na dolievanie oleja (Obr. 5).
3. Po doplnení oleja mierku umiestnite späť do otvoru a dotiahnite ju.
4. Hladina oleja sa musí pohybovať medzi hornou (MAX.) a dolnou (MIN.) medzou (Obr. 5).



Obr. 5

**⚠ Upozornenie** NEPREPLŇTE zásobník oleja, inak z výfuku po naštartovaní kosačky vyjde veľké množstvo dymu.

**⚠ DÔLEŽITÁ INFORMÁCIA:** Hladinu oleja kontrolujte pred každým použitím kosačky. V prípade potreby olej doplňte. Olej doplňte po rysku MAX. na mierke oleja.

**⚠ DÔLEŽITÁ INFORMÁCIA:** Olej vymeňte po prvých 5 hodinách prevádzky a následne po každých 25 prevádzkových hodinách.

### DOPLNENIE PALIVA

**Vhodné palivo pre tento typ motora je NATURAL 95**

Po odskrutkovaní viečka palivovej nádrže (Obr. 1 – bod 6) doplňte palivo, palivo dolejte až po hrdlo palivovej nádrže, ale nádrž nepreplňte.

Vždy doplňujte čerstvý, čistý a schválený bezolovnatý benzín s oktánovým číslom min. 95.

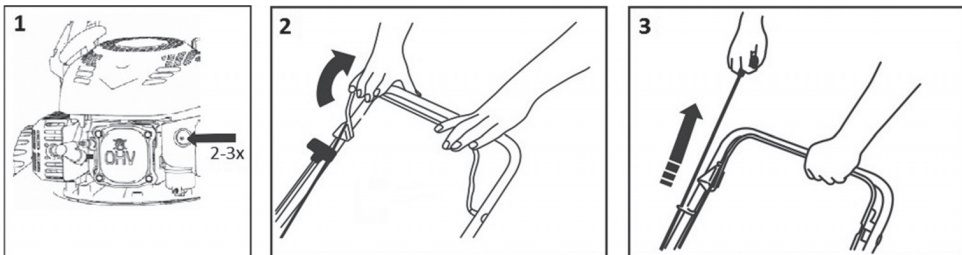
- ⚠ **Upozornenie** V prípade, že pri dolievaní oleja či paliva kosačku znečistíte, ihneď ju utrite. Palivo neskladujte, nedoplňujte ani s ním nemanipulujte v blízkosti otvoreného ohňa.
- ⚠ **Upozornenie** Palivá zmiešané s alkoholom či palivá s prísadou etanolu či metánu na seba môžu viazať vlhkosť, čo môže počas skladovania viesť k separácii a tvorbe kyselín. Počas skladovania môžu výpary kyselín poškodiť palivový systém motora kosačky. Tieto palivá sa nesmú v kosačke používať.
- ⚠ **DÔLEŽITÁ INFORMÁCIA:** Ak nebudete kosačku používať dlhšie než 30 dní, vypustite palivovú nádrž, naštartujte motor a nechajte ho bežať, kým nedôjde k vyprázdneniu palivového potrubia a karburátora (motor sám zhasne). Tento postup zabráni budúcim problémom s motorom. Pred opätovným použitím do nádrže dolejte čerstvé palivo. Viac podrobností nájdete v kapitole Pokyny pre skladovanie.

## 7. OVLÁDANIE A PREVÁDZKA KOSAČKY

### ŠTART KOSAČKY

1. Ak nie je motor zahriaty, 2- až 3-krát stlačte pumpičku nástreku paliva (Obr. 6 – bod 1).  
Ak je motor zahriaty, už nie je potrebné používať pumpičku nástreku paliva.
2. Príťiahnite spínaciu/brzdovú páku k držadlu a držte ju (Obr. 6 – bod 2), potom zatiahnite za štartovacie lanko (Obr. 6 – bod 3). Motor by mal najneskôr po 3 – 4 zatiahnutiach naskočiť.
3. Motor vypnete uvoľnením spínacej/brzdovej páky.

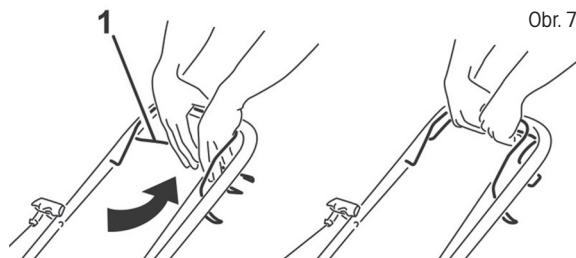
Obr. 6



- ⚠ **Upozornenie** Po prvom naštartovaní motora môže dôjsť k miernemu výskytu dymu z dôvodu vypaľovania ochranných vrstiev v motore. Ide o celkom bežnú situáciu, ktorá nepredstavuje žiadny problém.

## OVLÁDANIE POJAZDU

Pojazd sa ovláda pomocou páky pojazdu (Obr. 7 – bod 1). Po pritiahnutí páky k držadlu sa kosačka rozbehne. Na zastavenie páky opäť uvoľníte. Táto kosačka má jednu, konštantnú rýchlosť.



## ROZSAH POUŽITIA BENZÍNOVEJ KOSAČKY

Kosenie so zberom pokosenej trávy do koša na trávnu

Kosenie so zadným vyhadzovaním pokosenej trávy

Kosenie s bočným vyhadzovaním

Mulčovanie – kosenie s voľným ukladaním pokosenej trávy na trávnik

**⚠ Upozornenie! Nepoužívajte kosačku na svahoch s väčším sklonom než 20° – hrozí zadretie motora!**

## KOSENIE SO ZBEROM TRÁVY DO KOŠA

S nasadeným zberným košom prúdi pokosená tráva do koša.

**⚠ Upozornenie!** Pri zlom zbere pokosenej trávy zvýšte výšku kosenia a skontrolujte, či nie je trávnik vlhký.

## KOSENIE SO ZADNÝM VYHADZOVANÍM

Bez nasadeného zberného koša slúži kryt koša ako tzv. deflektor, ktorý usmerňuje pohyb pokosenej trávy smerom k zemi. Za kosačkou tak vzniká riadok pokosenej trávy.

## KOSENIE S BOČNÝM VYHADZOVANÍM

**⚠ Upozornenie** Bočný deflektor inštalujte a odoberajte výhradne pri vypnutom motore.

Rukou zdvihnite kryt bočného vyhadzovania a nasadte bočný deflektor (obr. 8). Pre kosenie s bočným vyhadzovaním je nutné inštalovať do vyhadzovacieho tunela mulčovaciu záseпку.



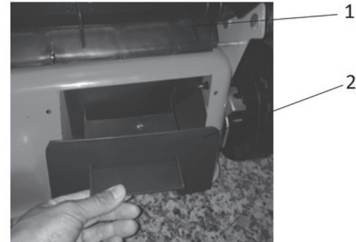
## MULČOVANIE

**⚠ Upozornenie** Mulčovaciu zásleпку inštalujte a odoberajte výhradne pri vypnutom motore.

**⚠ Upozornenie** Pri mulčovaní používajte výhradne originálne mulčovacie príslušenstvo.

1. Odoberte kôš a rukou pridržiňte plastový kryt koša (Obr. 9 – bod 1)
2. Nasadíte mulčovaciu zásleпку do vyhadzovacieho tunela (Obr. 9 – bod 2) a uistíte sa, že je usadená naozaj pevne.

**⚠ DÔLEŽITÁ INFORMÁCIA:** Nemulčujte prerastenú trávnu naraz, zabránite tým preťaženiu mechanizmu kosačky a motora.



Obr. 9

## NASTAVENIE VÝŠKY KOSENIA

Výšku kosenia nastavíte centrálné pomocou páky centrálného nastavenia výšky kosenia (Obr. 1 – bod 11) Voliť môžete z 5 pozícií v rozsahu 25 – 75 mm. Pre kosenie väčšiny trávnikov je najvhodnejšia stredná výška kosenia.

Pri nastavení najnižšej výšky môže dôjsť k poškodeniu trávnik.

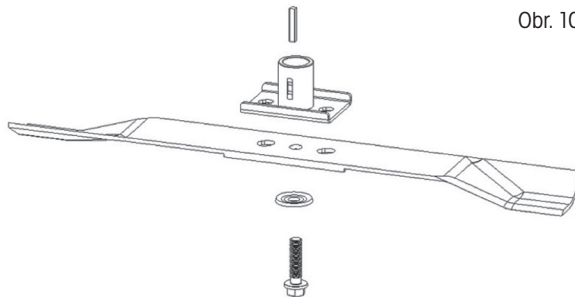
**⚠ Upozornenie!** Na dosiahnutie maximálnej efektivity trávu skracujte vždy iba o 1/3 jej dĺžky. Prerastenú trávnu kosť postupne a po každom kosení znížte nastavenie výšky o jeden stupeň. Ak chcete zachovať kvalitný trávnik, nepoužívajte nastavenie na najnižšiu výšku kosenia.

## VÝMENA ŽACÍCH NOŽOV

**⚠ Upozornenie** Na tento účel odporúčame kontaktovať autorizované servisné stredisko.

**⚠ Upozornenie** Pred demontážou noža vypustite olej zo zásobníka oleja.

Ak chcete vymeniť žací nôž, demontujte skrutku (Obr. 10). Vykonajte montáž podľa uvedeného obrázka. Dotiahnite skrutku. Uťahovací moment je 40 Nm. Pri výmene noža súčasne vymeňte upínaciu skrutku noža.



Obr. 10

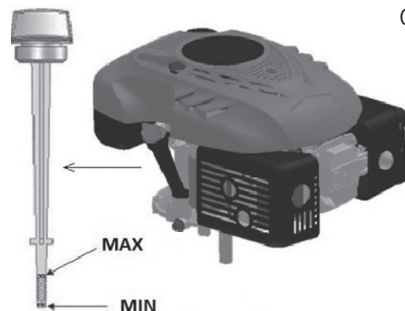
## VÝMENA MOTOROVÉHO OLEJA

**⚠ Upozornenie** Na tento účel odporúčame kontaktovať autorizované servisné stredisko.

Na krátku chvíľu naštartujte motor kosačky tak, aby sa olej zahrial. Olej potom odsajte odsávačkou olejov FZR 9050.

Doplňte do zásobníka olej typu SAE30 alebo 15W-40. Po vložení mierky oleja do otvoru a jej utiahnutím by mala byť hladina oleja medzi ryskami Min. a Max. (Obr. 11). Nepreplňte zásobník oleja.

Spustíte motor a nechajte ho krátko bežať. Zastavte motor, počkajte 1 minútu a premerajte hladinu oleja v zásobníku. V prípade potreby doplňte olej na požadovanú úroveň.



Obr. 11

# 8. BEZPEČNOSTNÉ POKYNY

## VŠEOBECNÉ BEZPEČNOSTNÉ POKYNY

- ✿ Tento výrobok slúži výlučne na kosenie trávy. Nepoužívajte ho na iné účely, než na aké je určený. V opačnom prípade hrozí jeho poškodenie či úraz.
- ✿ Nikdy nedovoľte deťom ani osobám bez znalosti tohto návodu na použitie so zariadením pracovať.
- ✿ Osoba, ktorá obsluhuje kosačku, zodpovedá za bezpečnosť osôb v pracovnom priestore. Kosačku nikdy nepoužívajte v tesnej blízkosti ostatných osôb, deťí alebo voľne pobežajúceho zvieratstva.
- ✿ Pred začatím kosenia skontrolujte terén, na ktorom sa má kosačka použiť, a odstráňte z neho kamene, drôty, konáriky, črepy, kosti a ostatné cudzie telesá, ktoré by sa mohli zachytiť alebo vymrštiť a spôsobiť zranenie.

## POKYNY NA POUŽÍVANIE

- ✿ Všetky matice, svorníky a skrutky musia byť riadne dotiahnuté tak, aby zariadenie bolo v bezpečnom a prevádzkyschopnom stave.
- ✿ Kosačku nikdy nepoužívajte bez zberného koša alebo ochranného krytu.
- ✿ Kosačku nikdy nepoužívajte s uvoľnenými čepeľami noža. Vždy sa vopred uistite, či sú príslušné skrutky dobre utiahnuté. Otvorené čepele sa musia nabrúsiť, a to rovnomerne. Nože s poškodenými čepeľami je potrebné vymeniť.
- ✿ Pri práci s kosačkou používajte nohavice s dlhými nohavicami a pevnú obuv.
- ✿ Kosačku nikdy neštartujte v uzatvorených alebo zle vetraných priestoroch, kde sa môžu hromadiť výpary. Emisie vychádzajúce z motora obsahujú oxid uhoľnatý, ktorý je životu nebezpečný.
- ✿ Pracujte iba pri dostatočnom osvetlení (za denného svetla alebo pri dostatočnom umelom osvetlení).
- ✿ Kosačku nepoužívajte za dažďa alebo ak je tráva mokrá.
- ✿ Obzvlášť opatrne postupujte pri kosení vo zvýšenom teréne (svah). Vždy koste naprieč svahom, paralelne k vrstevnici, a nie zhora/zdola kolmo na ňu.
- ✿ Kosačku zásadne nenechávajte bežať bez obsluhy, ak kosačku opustíte, vypnite motor.

- ✿ Pri štartovaní nikdy nenadvihujte zadnú časť kosačky a nikdy nepribližujte končatiny k podvozku či do otvoru na zadné vyhadzovanie trávy, ak je motor zapnutý.
- ✿ Nikdy nemeňte nastavenie rýchlosti motora.
- ✿ Pri kosačkách s pojazdom uvoľnite pojazd pred spustením motora.
- ✿ Kosačku nikdy nepremiestňujte so spusteným motorom.
- ✿ Zastavte motor a odpojte zapalovaciu sviečku v nasledujúcich prípadoch:
  - pred vykonávaním akejkoľvek činnosti pod krytom kosenia či otvorom na zadné vyhadzovanie trávy.
  - pred vykonávaním údržby, opravy či kontroly stroja.
  - pred prenášaním, zdvíhaním či premiestňovaním kosačky.
  - ak ponechávate kosačku bez dozoru alebo sa chystáte upraviť nastavenie výšky kosenia.
  - pred demontážou a vyprázdňovaním zberného vaku.
  - Ak dôjde ku kolízii s cudzím predmetom, zastavte motor a kosačku starostlivo prezrite, aby ste vylúčili možnosť poškodenia. V prípade poškodenia, dopravte kosačku do špecializovaného servisu na opravu.

**⚠ POZOR:** Po vypnutí motora sa žací nôž niekoľko sekúnd aj naďalej točí.

- v prípade abnormálnych vibrácií kosačky (okamžite zistite a zaistite odstránenie príčiny vibrácie).
- Na zaistenie bezpečnej prevádzky pravidelne kontrolujte riadne utiahnutie čapov, skrutiek a matíc na kosačke.

**⚠ POZOR:** PALIVO JE VYSOKO HORĽAVÁ KVAPALINA.

- ✿ Palivo uchovávajú v nádobe na to určenej.
- ✿ Palivo doplňujte iba na otvorenom či dobre vetranom priestranstve. Pri manipulácii s palivom nefajčite, ani nepoužívajte mobilný telefón.
- ✿ Palivo doplňujte iba za predpokladu, že je motor vypnutý. Nikdy neotvárajte palivovú nádrž a palivo nedoplňujte, ak je motor horúci alebo v chode.
- ✿ Ak dôjde k rozliatiu benzínu, motor neštartujte. Odstráňte kosačku z miesta, kde bolo palivo rozliate, a vyvarujte sa možného vznietenia. V práci pokračujte až po odparení rozliateho paliva a rozptýlení palivových výparov;
- ✿ Po doplnení paliva dobre utiahnite kryt palivovej nádrže aj veko kanistra s palivom.

**⚠ POZOR:** Pred vykonávaním údržby alebo opravy zastavte motor a odpojte zapalovaciu sviečku.

## 9. ÚDRŽBA

### STAROSTLIVOSŤ O TRÁVNIK

- ✿ Podľa druhu trávnej plochy je potrebné použiť rôzne spôsoby starostlivosti;
- ✿ Preto zakaždým si prečítajte pokyny uvedené v baleniach osív, týkajúce sa výšky kosenia vzhľadom na podmienky rastu v danej oblasti.
- ✿ Je potrebné mať stále na pamäti, že väčšia časť trávy je zložená zo stebľa a jedného alebo viacerých listov. Pri úplnom odseknutí listov dôjde k poškodeniu trávnik a obnovenie rastu bude omnoho ťažšie.

- \* Všeobecne platia nasledujúce pokyny:
  - príliš nízke kosenie spôsobuje narušenie koreňov a následne „škvrnitý“ vzhľad;
  - v lete sa musí kosiť vyššie, aby sa zabránilo vysychaniu pôdy;
  - kosenie mokrej trávy môže spôsobiť zníženie účinnosti noža následkom zachytávania trávy na noži a vytrhávania trávnatého porastu;
  - v prípade mimoriadne vysokej trávy je vhodné vykonať prvé kosenie s maximálnou dovolenou výškou stroja a potom vykonať druhé kosenie až po dvoch alebo troch dňoch.
- \* Trávnik bude mať lepší vzhľad pravidelným a celoplošným kosením rovnakej výšky a dodržiavaním striedania dvoch smerov.

## ÚDRŽBA

- \* Všetky matice, svorníky a skrutky musia byť riadne dotiahnuté tak, aby zariadenie bolo v bezpečnom a prevádzkyschopnom stave. Pravidelná údržba je základným predpokladom na zaistenie bezpečnosti používateľa, zachovanie prevádzkyschopnosti a vysokého výkonu kosačky.
- \* Zariadenie s benzínom v nádrži nikdy neuskladňujte vnútri budovy, kde by sa výpary mohli dostať do dosahu otvoreného ohňa, iskry alebo zdroja vysokej teploty.
- \* Pred uskladnením v akomkoľvek uzatvorenom priestore nechajte motor vychladnúť.
- \* Z dôvodu zníženia rizika požiaru zaistíte, aby kosačka a obzvlášť motor, tlmič výfuku, batéria a tiež miesto uloženia náhradného benzínu boli zbavené zvyškov trávy, lístia alebo nadmerného množstva maziva.
- \* Kontrolujte pravidelne stav deflektora a zberného koša; v prípade poškodenia ich vymeňte.
- \* Palivo vypúšťajte v dobre vetranom priestore pri vychladnutom motore.
- \* Pri odobieraní či inštalácii žacieho noža používajte hrubé pracovné rukavice.
- \* Po každom nabrúsení čepele žacieho noža je nutné prekontrolovať jeho vyváženie.

**⚠ POZOR:** Pred vykonávaním údržby alebo opravy zastavte motor a odpojte zapaľovaciu sviečku.

- \* Pravidelne kosačku kontrolujte a zaistíte, aby sa všetky nánosy trávy v spodnej časti podvozka odstraňovali.
- \* Pravidelne mažte os podvozka a ložiská vhodným mazivom.
- \* Kontrolujte pravidelne stav nožov, pretože majú podstatný vplyv na výkon kosačky. Nože by mali byť vždy ostré a vyvážené.
- \* V pravidelných intervaloch kontrolujte dotiahnutie všetkých skrutiek a matíc. Opatrebované alebo zle dotiahnuté matice a skrutky môžu spôsobiť vážne poškodenia motora alebo rámu.
- \* Ak nôž prudko zasiahne prekážku, kosačku zastavte a odvezte ju do autorizovaného servisu.
- \* NŮŽ: nôž je vyrobený z lisovanej ocele. Aby ste docielili čo najlepšie kosenie, pravidelne nôž brúste, približne po každých 25 hodinách prevádzky. Uistite sa, či je nôž vždy správne vyvážení. Na tento účel vložte do stredového otvoru noža železnú osičku (s priemerom 2 – 3 mm). Ak je nôž správne vyvážení, os sa udrží v horizontálnej polohe.
- \* Ak sa nôž neudrží v horizontálnej polohe, vymeňte ho.
- \* Pri demontáži noža odskrutkujte skrutku, skontrolujte nosnú časť noža. Ak sú časti opotrebené alebo poškodené, vymeňte ich.

**⚠ POZOR:** Používajte iba originálne náhradné diely. Nekvalitné náhradné diely môžu spôsobiť vážne poškodenia kosačky a ohroziť vašu bezpečnosť.

## SERVIS

- ✿ V prípade, že po kúpe výrobku zistíte akúkoľvek poruchu, kontaktujte servisné oddelenie. Pri použití výrobku sa riadte pokynmi uvedenými v priloženom návode na použitie.
- ✿ Na reklamáciu sa nebude brať zreteľ, ak ste výrobok pozmenili či ste sa neriadili pokynmi uvedenými v návode na použitie.

## ZÁRUKA SA NEVŤAHUJE

- ✿ Na prirodzené opotrebenie funkčnej časti stroja v dôsledku jeho používania.
- ✿ Na servisné zásahy súvisiace so štandardnou údržbou stroja (napr. čistenie, mazanie, nastavenie a pod.), na poruchy spôsobené vonkajšími vplyvmi (napr. klimatickými podmienkami, prašnosťou, nevhodným použitím a pod.).
- ✿ Na mechanické poškodenia v dôsledku pádu stroja, nárazu, úderu doň a pod.
- ✿ Na škody vzniknuté neodborným zaobchádzaním, preťažením, použitím nesprávnych dielov, nevhodných nástrojov a pod.
- ✿ Pri reklamovaných výrobkoch, ktoré neboli riadne zabezpečené proti mechanickému poškodeniu pri preprave nesie riziko prípadnej škody výhradne majiteľ.

## USKLADNENIE

- ✿ Ak stroj dlhší čas nepoužívate, prístroj uskladnite podľa nasledujúcich pokynov. Predĺžite tak životnosť stroja.
- ✿ Kompletne vylejte palivo z palivovej nádrže a karburátora.
- ✿ Vyskrutkujte zapalovaciu sviečku a nalejte do otvoru malé množstvo motorového oleja. Jemne potiahnite 2- až 3-krát štartér.
- ✿ Čistou handrou vyčistite vonkajšie plochy. Stroj uskladnite na čistom a suchom mieste.



## 10. TECHNICKÉ ÚDAJE

Motor	RATO RV145-S
Typ motora	OHV, vzduchom chladený, 4-taktný
Nominálny výkon	2,50 kW
Otáčky motora	3000 ot./min
Zdvihový objem	144 cm <sup>3</sup>
Štartovanie	Ťahom
Objem palivovej nádrže	1,5 litra
Odporúčané palivo	Benzín – bezolovnatý, min. 95 oktánov
Objem olejovej nádrže	0,5 l
Odporúčaný olej	SAE30, 15W-40
Nastavenie výšky kosenia	Centrálne, 8 pozícií
Nastaviteľný rozsah výšky kosenia	25-70 mm
Záber kosenia	460 mm
Veľkosť kolies	Predné 178 mm, zadné 254 mm
Kapacita zberného koša	65 l
Šasi	oceľ
Deklarovaná úroveň hluku	96 dB(A)
Maximálna úroveň vibrácií	12,5 m/s (K=1,5)
Hmotnosť	29 kg

Zmena textu a technických parametrov vyhradená.

Zmeny v texte, dizajne a technických špecifikáciách sa môžu meniť bez predchádzajúceho upozornenia a vyhradzuje si právo na ich zmenu

## 11. LIKVIDÁCIA

### **POKYNY A INFORMÁCIE O ZAOBCHÁDZANÍ S POUŽITÝM OBALOM**

Použitý obalový materiál odložte na miesto určené obcou na ukladanie odpadu.



Stroj a jeho príslušenstvo sú vyrobené z rôznych materiálov, napr. z kovu a plastov.  
Poškodené súčiastky odovzdajte do triedeného zberu. Informujte sa na príslušnom úrade.



Tento výrobok spĺňa všetky základné požiadavky smerníc EÚ, ktoré sa naň vzťahujú.

Zmeny v texte, dizajne a technických špecifikáciách sa môžu meniť bez predchádzajúceho upozornenia a vyhradzuje si právo na ich zmenu.

Návod na použitie v originálnom jazyku.

# Benzines fűnyíró

## HASZNÁLATI ÚTMUTATÓ

**Köszönjük, hogy megvásárolta ezt a kerti benzines rotációs fűnyírót. Mielőtt használni kezdi, figyelmesen olvassa el ezt a használati útmutatót és őrizze meg a későbbiekre.**

### TARTALOM

1. ÁLTALÁNOS BIZTONSÁGI ELŐÍRÁSOK.....	52
Fontos biztonsági figyelmeztetések .....	52
Csomagolás .....	52
Használati útmutató .....	52
2. A GÉPEN TALÁLHATÓ, UTASÍTÁSOKAT TARTALMAZÓ CÍMKÉK MAGYARÁZATA .....	53
3. A FŰNYÍRÓ LEÍRÁSA (1. ábra).....	55
4. ÖSSZEÁLLÍTÁS/ELŐKÉSZÍTÉS .....	55
Vegye ki a fűnyírót a kartondobozból .....	55
5. A FŰNYÍRÓ ÖSSZEÁLLÍTÁSA .....	56
A fogantyú összeállítása .....	56
A fogantyú-panel felszerelése .....	56
A kosár összeállítása .....	57
6. A FŰNYÍRÓ BEKAPCSOLÁSA ELŐTT.....	57
Olaj betöltése .....	57
Üzemanyag feltöltése.....	57
7. A FŰNYÍRÓ KEZELÉSE ÉS ÜZEMELTETÉSE .....	58
A fűnyíró beindítása .....	58
A kerékmeghajtás kezelése .....	58
A benzines fűnyíró használatának módjai .....	59
Vágás és a fű összegyűjtése a kosárba .....	59
Vágás oldalsó kidobással.....	59
Mulcsozás.....	60
A vágási magasság beállítása .....	60
A vágókékek cseréje .....	60
Olajcsere .....	61
8. BIZTONSÁGI UTASÍTÁSOK .....	61
Általános biztonsági előírások .....	61
Használati utasítások.....	61
9. KARBANTARTÁS .....	62
A gyepek gondozása .....	62
Karbantartás.....	63
Szerviz .....	64
A jótállás nem vonatkozik .....	64
Tárolás .....	64
10. MŰSZAKI ADATOK.....	65
11. MEGSEMMISÍTÉS .....	66

# 1. ÁLTALÁNOS BIZTONSÁGI ELŐÍRÁSOK

## FONTOS BIZTONSÁGI FIGYELMEZTETÉSEK

- ✿ A terméket gondosan csomagolja ki és ügyeljen arra, hogy ne dobjon ki semmit, mielőtt minden alkatrészt meg nem talál.
- ✿ A gépet tartsa száraz helyen és gyermekektől távol.
- ✿ Olvassa el az összes figyelmeztetést és utasítást. A figyelmeztetések és utasítások figyelmen kívül hagyásának áramütés, tűz és/vagy komoly sérülés lehet a következménye.


## CSOMAGOLÁS

A termék védőcsomagolásban van, hogy az átszállítás közbeni sérüléstől védve legyen. Ez a csomagolás újrahasznosítható anyagból készült.

## HASZNÁLATI ÚTMUTATÓ

Mielőtt használni kezdi a gépet, olvassa el a következő biztonsági előírásokat és a használati utasításokat. Ismerkedjen meg a kezelőelemekkel és a készülék helyes használatával. Az útmutatót gondosan őrizze meg későbbi szükség esetére. Javasoljuk, hogy legalább a jótállás idejére őrizze meg a termék eredeti dobozát, csomagolását, pénztárbizonylatát és jótállási jegyét.

Szállítás esetén csomagolja vissza az eredeti gyári csomagolásba, így maximális védelmet biztosít számára (pl. költözés vagy szervizbe küldés esetén).

 **Megjegyzés:** Ha a gépet újabb személynek adja el, az útmutatóval adja át. A használati útmutató utasításainak betartása a gép helyes használatának alapja. A használati útmutató szintűgy tartalmaz utasításokat a kezelésre, karbantartásra és javításra vonatkozóan.

**A gyártó nem felel az útmutató utasításainak be nem tartásából adódó balesetekért vagy károkért.**

## 2. A GÉPEN TALÁLHATÓ, UTASÍTÁSOKAT TARTALMAZÓ CÍMKÉK MAGYARÁZATA



Üzembe helyezés előtt figyelmesen olvassa el a használati útmutatót.



Másokat tartson távol a munkaterülettől.



Vigyázat, forgó kések! Védekezzen a végtagok sérülésének veszélye ellen.



Mérgező gázok kibocsátása. A benzines fűnyírót ne használja zárt, vagy nem szellőző helyen.



Forró felületek, égési sérülés veszélye!



Karbantartás előtt kapcsolja ki a motort és csavarja ki a gyújtógyertyát.



Soha ne töltsön bele üzemanyagot, ha jár a motor.



Arra figyelmeztet, hogy az utasítások be nem tartása esetén személyi sérülés, halál, vagy a gép sérülésének veszélye fenyeget.



Használjon fülvédőt.  
Védje a látását.  
Gondoskodjon a légutak védelméről.



Állandóan tartson biztonságos távolságot a mozgó alkatrészekről.



Lejtőn a szintvonalak mentén, ne felfelé és lefelé haladjon.



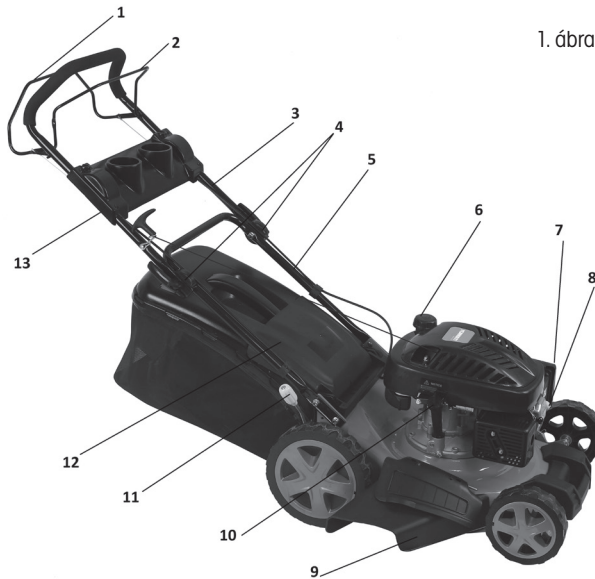
Megfelel minden vonatkozó európai irányelvnek.



A benzin rendkívül gyúlékony, ezért üzemanyag betöltése előtt hagyja a motort 2 percig hűlni.

### 3. A FŰNYÍRÓ LEÍRÁSA (1. ábra)

1. A futómű karja
2. Kapcsoló- / fékkar
3. Felső fogantyúrész
4. Csavarok szárnyas anyával
5. Alsó fogantyúrész
6. Az üzemanyagtartály fedele
7. A légszűrő fedele
8. Üzemanyag-befecskendező pumpa – Primer
9. Oldalkidobó terelőlap
10. Dugasz nívópálcával
11. A vágási magasság központi beállítására szolgáló kar
12. A kosár fedele
13. Fogantyú-panel



1. ábra

### 4. ÖSSZEÁLLÍTÁS/ELŐKÉSZÍTÉS

A benzines fűnyíró összeállítása és beindítása előtt figyelmesen olvassa el a teljes használati útmutatót és a benne szereplő utasításokat.

**⚠ FONTOS INFORMÁCIÓK:** A fűnyírót **ÜZEMANYAG ÉS OLAJ NÉLKÜL** szállítjuk.

Az Ön új fűnyírója a gyártóüzemben kipróbálásra került, ezért a motorban minimális mennyiségű maradék olaj lehet.

#### VEGYE KI A FŰNYÍRÓT A KARTONDOBOZBÓL

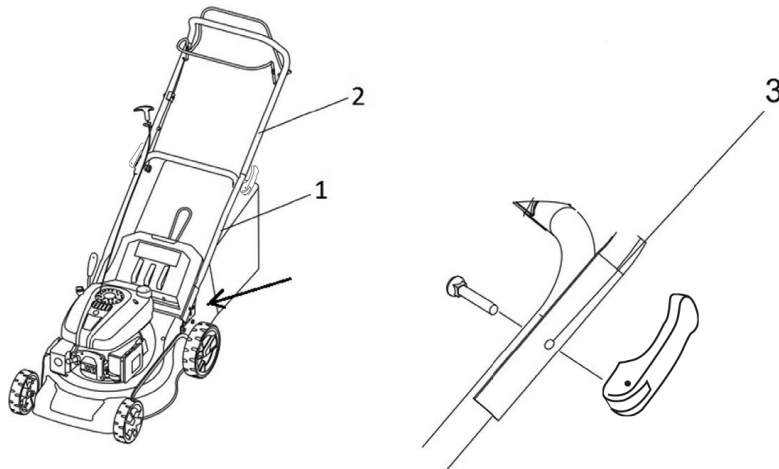
Vegye ki a fűnyírót a kartondobozból és ellenőrizze, nem maradtak-e a dobozban alkatrészek.

## 5. A FŰNYÍRÓ ÖSSZEÁLLÍTÁSA

**⚠ FONTOS INFORMÁCIÓK:** Óvatosan nyissa szét a fűnyíró fogantyúját, ne csípjé be és ne sértse meg a fűnyíró kezelőszínórját.

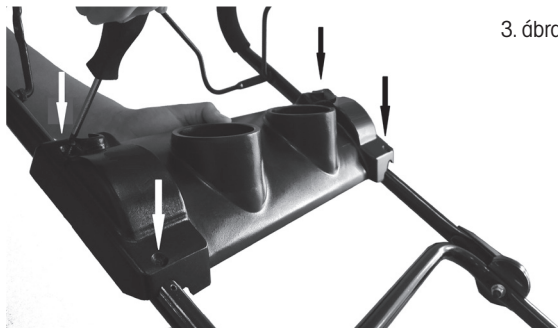
### 1. A FOGANTYÚ ÖSSZEÁLLÍTÁSA

1. Dugja be a fogantyú alsó részét (2. ábra – 1. pont) a megfelelő nyílásokba a fűnyírón (ld. a nyilat) és rögzítse a 4 mellékelt csavarral – két-két csavar a fogantyú mindkét oldalán.
2. Csatlakoztassa a fogantyú felső részét (2. ábra – 2. pont) a fogantyú alsó részéhez a mellékelt gyorskioldós csavarok és a szárnyas anyacsavarok segítségével (2. ábra – 3. pont).



### 2. A FOGANTYÚ-PANEL FELSZERELÉSE

Rögzítse a fogantyú műanyag paneljét a mellékelt csavarok segítségével (3. ábra)





### 3. A KOSÁR ÖSSZEÁLLÍTÁSA

Rögzítse a kosár textil részének szélein levő műanyag kampókat az acélszerkezethez (4. ábra)



4. ábra

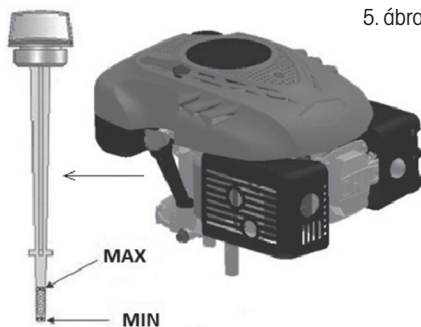
**⚠ FONTOS FIGYELMEZTETÉS:** A kosár telítettségjelzővel van ellátva. Ez egy műanyag csapószelep a kosár hátsó részében. Ha a kosár nincs tele, a csapó nyitva van. Ha becsukódik, a kosarat ki kell üríteni.

## 6. A FŰNYÍRÓ BEKAPCSOLÁSA ELŐTT

### OLAJ BETÖLTÉSE

**A fűnyírót motorolaj nélkül szállítjuk. Az első beindítás előtt töltsön bele SAE30 vagy 15W-40 motorolajat (kb. 500 ml-t) az alábbiak szerint.**

1. Az olaj beöntésekor állítsa a fűnyírót egyenes felületre.
2. Vegye ki a dugaszt a nivópálcával az olajtöltő nyílásból (5. ábra).
3. Az olaj beöntése után tegye vissza a nivópálcát a nyílásba és csavarja be.
4. Az olajsztintek a felső (MAX) és az alsó (MIN) határérték között kell lennie (5. ábra).



5. ábra

**⚠ Figyelem!** NE TÖLTSE TÚL az olajtartályt, különben a beindítás után a kipufogóból nagy mennyiségű füst távozik.

**⚠ FONTOS INFORMÁCIÓK:** Az olajsztintet a fűnyíró minden használata előtt ellenőrizze. Szükség esetén tölts fel az olajat. Az olajat a nivópálca MAX jelzéséig töltsse.

**⚠ FONTOS INFORMÁCIÓK:** A motorolajat az első 5 óra üzemelés után, majd minden 25 üzemóra után cserélje ki

### ÜZEMANYAG FELTÖLTÉSE

**Ehhez a motorípushoz a megfelelő üzemanyag a NATURAL 95**

Az üzemanyagtartály fedelének lecsavarása után (1. ábra – 6. pont) töltsse be az üzemanyagot. Az üzemanyagot az üzemanyagtartály nyílásáig töltsse, de ne töltsse túl a tartályt.

Mindig friss, tiszta és engedélyezett ólommentes, min. 95-ös oktánszámú benzint használjon.

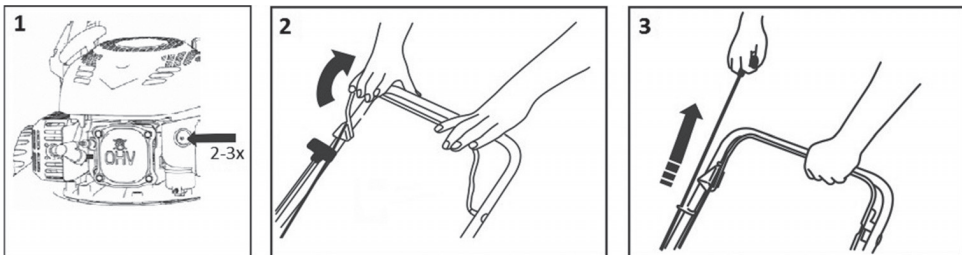
- ⚠ **Figyelem!** Ha az olaj vagy az üzemanyag a töltés közben a fűnyíróra cseppen, azonnal törölje le. Az üzemanyagot ne tárolja, ne töltsön és ne használja nyílt láng közelében
- ⚠ **Figyelem!** Az alkohollal kevert, vagy etanol vagy metán adalékot tartalmazó üzemanyagok megköthetik a nedvességet, ami a tárolás során szeparálódhat és savképződést okozhat. Tárolás közben így a savak kipárolgásai károsíthatják a fűnyíró motorjának üzemanyagrendszerét. Ilyen üzemanyagok a fűnyíróban nem használhatók.
- ⚠ **FONTOS INFORMÁCIÓK:** Ha a fűnyírót több, mint 30 napig nem fogja használni, engedje ki az üzemanyagtartály tartalmát, indítsa be a motort és működtesse, amíg ki nem ürül az üzemanyag-vezeték és a karburátor (a motor magától leáll). Ezzel elkerülheti a későbbi gondokat a motorral. A következő használat előtt töltsön friss üzemanyagot a tartályba. További részleteket a Tárolás c. fejezetben talál.

## 7. A FŰNYÍRÓ KEZELÉSE ÉS ÜZEMELTETÉSE

### A FŰNYÍRÓ BEINDÍTÁSA

1. Ha a motor hideg, indítás előtt nyomja meg 2-3-szor az üzemanyag-befecskendező pumpát (6. ábra – 1. pont).  
Ha a motor bemelegedett, már nincs szükség az üzemanyag-befecskendező pumpa használatára.
2. Húzza a kapcsoló-/fékkart a fogantyúhoz és tartsa (6. ábra – 2. pont), majd húzza meg az indítózsinórt (6. ábra – 3. pont). A motornak legkésőbb 3-4 berántás után be kell indulnia.
3. A motort a kapcsoló- / fékkar elengedésével kapcsolhatja ki.

6. ábra

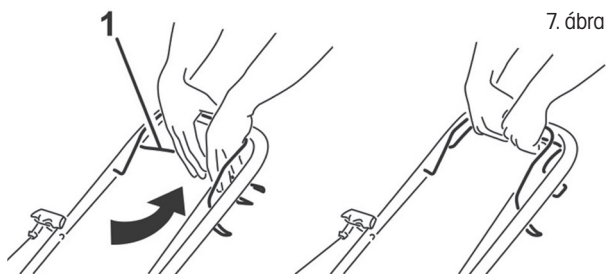


- ⚠ **Figyelem!** A motor első beindítása után kis mennyiségű füst távozhat, mivel a motor védőrétege leég. Ez normális jelenség, nem jelent hibát.

### A KERÉKMEGHAJTÁS KEZELÉSE

A kerékmeghajtás a futómű karjának (7. ábra – 1. pont) segítségével vezérelhető. Ha a kart a fogantyú felé húzza, a fűnyíró elindul.

A megállításhoz engedje el a kart. Ez a fűnyíró egy, állandó sebességfokozattal rendelkezik.



### A BENZINES FŰNYÍRÓ HASZNÁLATÁNAK MÓDJAI

Vágás és a levágott fű összegyűjtése a fűgyűjtő kosárba

Vágás és a levágott fű hátsó kidobása

Vágás oldalsó kidobással

Mulcsózás - vágás és a levágott fű szabad elhelyezése a gyepon

**⚠ Figyelmeztetés: Ne használja a fűnyírót 20°-nál meredekebb lejtőn - a motor besülhet!**

### VÁGÁS ÉS A FŰ ÖSSZEGYŰJTÉSE A KOSÁRBA

Ha fel van helyezve a gyűjtőkosár, a levágott fű a kosárba kerül.

**⚠ Figyelem!** Ha a gép rosszul gyűjti be a levágott fűvet, növelje a vágási magasságot és ellenőrizze, nem nedves-e a gyeper.

### VÁGÁS ÉS A FŰ HÁTSÓ KIDOBÁSA

Ha nincs felhelyezve a gyűjtőkosár, a kosár fedele ún. terelőlapként működik, amely a levágott fűvet a föld felé irányítja. A fűnyíró mögött így a levágott fűből sor képződik.

### VÁGÁS OLDALSÓ KIDOBÁSSAL

**⚠ Figyelem!** Az oldalkidobó terelőlap behelyezését és eltávolítását kizárólag kikapcsolt motor mellett végezze.

Kézzel emelje fel az oldalsó kidobónyílás fedelét és helyezze fel az oldalkidobó terelőlapot (8. ábra). Oldalsó kidobással történő vágás esetén a kidobójáratba be kell helyezni a mulcsozó dugót.



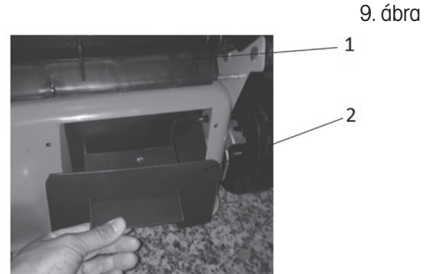
## MULCSOZÁS

**Figyelem!** A mulcsozó dugó behelyezését és eltávolítását kizárólag kikapcsolt motor mellett végezze.

**Figyelem!** Mulcsozáshoz kizárólag eredeti mulcsozó betéket használjon.

1. Vegye le a kosarat és a kezével tartsa meg a kosár műanyag fedelét (9. ábra – 1. pont).
2. Tegye a mulcsozó dugót a kidobójáratba (9. ábra – 2. pont) és ellenőrizze, hogy valóban stabilan áll-e.

**Fontos információk:** Ne egyszerre vágja le a túl nagyra nőtt fűvet, így elkerülheti a fűnyíró mechanizmusának és motorjának túlterhelését.



## A VÁGÁSI MAGASSÁG BEÁLLÍTÁSA

A vágási magasságot központilag állíthatja be a vágási magasság központi beállítására szolgáló kar segítségével (1. ábra – 11. pont).

5 állás közül választhat, 25 és 75 mm között. A gyepek nagy részének vágásához a legmegfelelőbb a középső vágási magasság.

A legalacsonyabb állás választása esetén sérülhet a gyepek.

**Figyelem!** A maximális hatékonyság elérése érdekében a fűvet mindig csak hosszúsága 1/3-ával rövidítse. A túl nagyra nőtt fűvet fokozatosan nyírja, és minden nyírás után csökkentse egy fokkal a magasságot.

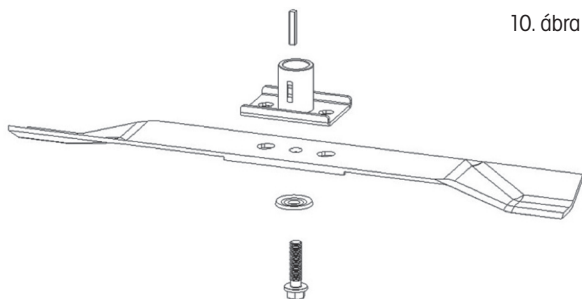
Ha meg akarja őrizni a jó minőségű gyepeket, ne használja a legalsó vágási magasságot.

## A VÁGÓKÉSEK CSERÉJE

**Figyelem!** Javasoljuk, hogy ehhez lépjen kapcsolatba a szakszervizzel.

**Figyelem!** A kés eltávolítása előtt engedje ki az olajat az olajtartályból.

Ha ki szeretné cserélni a vágókést, szerelje le a csavart (10. ábra). Az ábra szerint végezze el a szerelést. Húzza meg a csavart. A meghúzási nyomaték 40 Nm. A kés cseréjekor egyúttal cserélje ki a kés rögzítőcsavarját is.



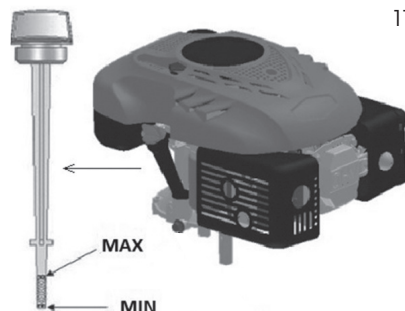
## OLAJCSERE

**⚠ Figyelem!** Javasoljuk, hogy ehhez lépjen kapcsolatba a szakszervizzel.

Indítsa be a fűnyíró motorját rövid időre, amíg az olaj felmelegedik. Ezután szívja ki az olajat FZR 9050 olajszívó pumpával.

Töltsön a tartályba SAE30 vagy 15W-40 típusú olajat. A nivópálca behelyezése és becsavarása után az olajszintnek a Min. és a Max. jelzés között kell lennie (11. ábra). Ne töltsen túl az olajtartályt.

Indítsa be a motort és rövid ideig működtesse. Állítsa le a motort, várjon 1 percre, majd mérje meg az olajszintet a tartályban. Szükség esetén töltsen fel az olajat a szükséges szintre.



11. ábra

# 8. BIZTONSÁGI UTASÍTÁSOK

## ÁLTALÁNOS BIZTONSÁGI ELŐÍRÁSOK

- ✿ Ez a termék kizárólag fű nyírására szolgál. Ne használja a készüléket a rendeltetéseszerű használattól eltérő módon. Ellenkező esetben a készülék károsodása vagy sérülés veszélye fenyeget.
- ✿ Soha ne engedje, hogy gyermekek vagy az útmutatót nem ismerő személyek használják a gépet.
- ✿ A fűnyírót használó személy felelős a munkaterületen található személyek biztonságáért. A fűnyírót soha ne használja más személyek, gyerekek vagy szabadon szaladgáló állatok közvetlen közelében.
- ✿ A fűnyírás megkezdése előtt ellenőrizze a terepet, ahol a fűnyírót használja, és távolítsa el a köveket, drótokat, cserepeket, csontokat és más idegen tárgyakat, amelyek beakadhatnak vagy kivágódhatnak és sérülést okozhatnak.

## HASZNÁLATI UTASÍTÁSOK

- ✿ Minden anyát, szegecset és csavart alaposan rögzíteni kell, úgy, hogy a készülék biztonságos és üzemkész állapotban legyen.
- ✿ A fűnyírót soha ne használja a gyújtókosár vagy a védőfedél nélkül.
- ✿ A fűnyírót soha ne használja, ha a kés pengéi lazák. Mindig előre ellenőrizze, hogy a megfelelő csavarok jól meg vannak-e húzva. A tompa pengéket ki kell élesíteni, mégpedig egyenletesen. A sérült pengékkel rendelkező kést ki kell cserélni.
- ✿ Ha a fűnyíróval dolgozik, használjon hosszú szárú nadrágot és stabil cipőt.
- ✿ A fűnyírót soha ne indítsa be zárt vagy rosszul szellőző helyen, ahol a kipufogógáz felgyűlhet. A motorból távozó gáz szénmonoxidot tartalmaz, ami életveszélyes.
- ✿ Csak megfelelő fényviszonyok mellett dolgozzon (nappali fénynél, vagy elégséges mesterséges világítás mellett).
- ✿ Ne használja a fűnyírót esőben, vagy ha a fű nedves.

- ✿ Különös óvatossággal végezze a fűnyírást, ha a talaj lejt vagy emelkedik. Mindig ferdén nyírron, a szintvonalakkal párhuzamosan, soha ne merőlegesen rájuk, azaz fel/le.
- ✿ A fűnyírót soha ne hagyja felügyelet nélkül menni, ha nincs mellette, kapcsolja ki a motort.
- ✿ Indításkor soha ne emelje meg a fűnyíró hátsó részét és soha ne közelítsen a végtagjaival az alvázhoz vagy a hátsó kidobónyíláshoz, ha a motor jár.
- ✿ Soha ne módosítsa a motor sebességének beállítását.
- ✿ Kerékmeghajtású fűnyíró esetén engedje ki a kerékmeghajtást, mielőtt bekapcsolja a motort.
- ✿ A fűnyírót soha ne helyezze át működő motorral.
- ✿ Állítsa le a motort, és csavarja ki a gyújtógyertyát az alábbi esetekben:
  - mielőtt bármilyen tevékenységet folytat a vágófedél vagy a hátsó fűkidobó nyílás alatt.
  - a gép karbantartása, javítása vagy ellenőrzése előtt.
  - a fűnyíró felemelése vagy áthelyezése előtt.
  - ha a fűnyírót felügyelet nélkül hagyja, vagy ha módosítani akarja a vágási magasság beállítását.
  - a gyújtózsák leszerelése és kiürítése előtt.
  - ha idegen tárgynak ütközik, állítsa meg a motort, és a fűnyírót gondosan nézze át, hogy kizárja a meghibásodás lehetőségét. Meghibásodás esetén vigye a fűnyírót szakszervizbe javítás céljából.

**⚠ VIGYÁZAT:** A motor kikapcsolása után a vágókés még néhány másodpercig forog.

- ha a fűnyíró abnormálisan rázkódik (azonnal keresse meg és távolítsa el a rázkódás okát).
- a biztonságos működés érdekében rendszeresen ellenőrizze, hogy a szelepek, csavarok és anyák meg vannak húzva a fűnyíróban.

**⚠ VIGYÁZAT:** AZ ÜZEMANYAG ERŐSEN GYÚLÉKONY FOLYADÉK.

- ✿ Az üzemanyagot erre szolgáló edényben tartsa.
- ✿ Az üzemanyagot csak nyílt vagy jól szellőző helyen töltsé. Az üzemanyaggal való tevékenység alatt ne dohányozzon és ne használjon mobiltelefont.
- ✿ Üzemanyagot csak akkor töltsön, ha a motor ki van kapcsolva. Soha ne nyissa ki az üzemanyag-tartályt és ne töltsön bele üzemanyagot, ha a motor forró vagy jár.
- ✿ Ha kifolyik a benzin, ne indítsa el a motort. Távolítsa el a fűnyírót onnan, ahol az üzemanyag kifolyt, és vigyázzon, nehogy valami meggyulladjon. A munkát csak azután folytassa, hogy a kifolyt üzemanyag elpárolgott, és az üzemanyag gőze eloszlott;
- ✿ Üzemanyag-töltés után jól csavarja be az üzemanyag-tartály tetejét és az üzemanyagkanna kupakját.

**⚠ VIGYÁZAT:** Karbantartás vagy javítás előtt állítsa le a motort és csavarja ki a gyújtógyertyát.

## 9. KARBANTARTÁS

### A GYEP GONDOZÁSA

- ✿ A füves terület típusától függően különböző gondozási módokra van szükség;
- ✿ Ezért mindig olvassa el a vefőmag csomagolásán található utasításokat, melyek az adott területen való növekedés körülményei között adnak tanácsot a vágási magasságra.
- ✿ Ne feledje, hogy a fűfélék nagy része szárból és egy vagy több levélből áll.  
A levelek teljes levágása esetén károsodik a gyeper, és sokkal nehezebben fog újra nőni.

- ✿ Általánosságban a következő utasítások érvényesek:
  - a túl alacsony vágás megsérti a gyökereket, aminek a következménye „foltos” megjelenés;
  - nyáron magasabb vágás szükséges, hogy védje a talajt a kiszáradástól;
  - nedves fű vágása csökkentheti a kés hatékonyságát, mivel ráragadhat a fű és kiszakíthatja a füves növényzet;
  - nagyon magas fű esetén ajánlott először a legmagasabb vágási magasságon vágni, majd két-három nap múlva megismételni a vágást.
- ✿ A gyepek szebbek lesznek, ha azonos magasságban, rendszeresen és az egész felületen vágják, felváltva a két irányban.

## KARBANTARTÁS

- ✿ Minden anyát, szegecset és csavart alaposan rögzíteni kell, úgy, hogy a készülék biztonságos és üzemkész állapotban legyen. A rendszeres karbantartás alapvető feltétele a felhasználó biztonságának, a fűnyíró működőképessége és magas teljesítménye megőrzésének.
- ✿ A gépet benzinnel a tartályában soha ne tárolja olyan épületben, ahol a kipárolgás kapcsolatba kerülhet nyílt lánggal, szikrával vagy magas hőmérséklet forrásával
- ✿ Bármilyen zárt helyen való tárolás előtt hagyja a motort kihűlni.
- ✿ Tűzveszély csökkentése érdekében gondoskodjon róla, hogy a fűnyírón, különösen a motoron, a kipufogó hangtompítóján, az akkumulátoron, valamint a tartalék benzin tárolási helyén ne maradjon fű, falevelek vagy túl sok kenőanyag.
- ✿ Rendszeresen ellenőrizze a terelőlap és a gyűjtőkosár állapotát; sérülés esetén cserélje ki őket.
- ✿ Az üzemanyag kiengedését jól szellőző helyen, hideg motor mellett végezze.
- ✿ A vágókés levétele vagy felszerelése esetén használjon vastag védőkesztyűt.
- ✿ A vágókés pengéjének minden élesítése után ellenőrizni kell a kiegyensúlyozását.

**⚠ VIGYÁZAT:** Karbantartás vagy javítás előtt állítsa le a motort és csavarja ki a gyújtógyertyát.

- ✿ Rendszeresen ellenőrizze a fűnyíró és gondoskodjon az alváz alsó részében levő fű eltávolításáról.
- ✿ Rendszeresen kenje megfelelő kenőanyaggal az alváz tengelyét és a csapágycsukásokat.
- ✿ Rendszeresen ellenőrizze a kések állapotát, mivel alapvetően befolyásolják a fűnyíró teljesítményét. A kések mindig legyenek élesek és kiegyensúlyozottak.
- ✿ Rendszeres időközönként ellenőrizze, hogy valamennyi csavar és anya megfelelően meg van-e húzva. Az elhasznált vagy rosszul meghúzott anyák és csavarok a motor vagy a váz komoly sérülését okozhatják.
- ✿ Ha a kés hirtelen akadályba ütközik, a fűnyírót állítsa le és vigye szakszervizbe.
- ✿ KÉS: préselt acélból készült. A legjobb vágás érdekében rendszeresen, körülbelül 25 óra működés után élesítse a kést. Győződjön meg róla, hogy a kés mindig megfelelően ki van-e egyensúlyozva. Ebből a célból tegyen a kés középső nyílásába egy (kb. 2-3 mm átmérőjű) kis vas tengelyt. Ha a kés megfelelően ki van egyensúlyozva, a tengely vízszintes helyzetben marad.
- ✿ Ha a kés nem marad vízszintes helyzetben, cserélje ki.
- ✿ A kés leszerelésekor csavarja ki a csavart, ellenőrizze a kés hordozó részét. Ha az alkatrészek elhasználódtak vagy sérültek, cserélje ki őket.

**⚠ VIGYÁZAT:** Csak eredeti pótalkatrészeket használjon. A gyenge minőségű pótalkatrészek a fűnyíró komoly meghibásodását okozhatják és fenyegethetik az Ön biztonságát.

## SZERVIZ

- ✿ Amennyiben a termék megvásárlása után bármilyen hibát tapasztal, vegye fel a kapcsolatot a szervizrészleggel. A termék használata során tartsa be a mellékelt használati útmutató utasításait.
- ✿ A reklamáció elutasításra kerül, ha a terméket módosította, vagy nem tartotta be a használati útmutató utasításait.

## A JÓTÁLLÁS NEM VONATKOZIK

- ✿ A gép funkcionális részeinek használat közbeni természetes elhasználódására
- ✿ A gép rendes karbantartásával összefüggő szerviz-beavatkozásokra (pl. tisztítás, kenés, beállítás, stb.) A külső hatások (pl. éghajlati viszonyok, por, nem megfelelő használat, stb.) által okozott hibákra
- ✿ A gép leesése, ütközése és hasonlók miatti mechanikus sérülésekre
- ✿ A nem szakszerű bánásmód, túlterhelés, nem megfelelő alkatrészek, nem alkalmas szerszámok használata és hasonlók által okozott károkra
- ✿ Az olyan reklamált termékek esetén, amelyek nem voltak megfelelően biztosítva a szállítás során a mechanikus sérülések ellen, az esetleges károkért kizárólag a tulajdonos felelős.

## TÁROLÁS

- ✿ Ha a gépet hosszabb ideig nem használja, az alábbi utasítások alapján tárolja. Ezzel meghosszabbítja a gép élettartamát.
- ✿ Teljesen engedje ki az üzemanyagot a tartályból és a karburátorból.
- ✿ Csavarja ki a gyújtógyertyát és a nyílásba öntsön egy kevés motorolajat. Finoman húzza meg az indítókart 2-3-szor.
- ✿ Egy tiszta ronggyal tisztítsa meg a külső felületeket. A gépet tiszta és száraz helyen tárolja.



## 10. MŰSZAKI ADATOK

Motor	RATO RV145-S
A motor típusa	OHV, léghűtéses, 4-ütemű
Névleges teljesítmény	2,50 kW
A motor fordulatszáma	3000 ford./perc
Hengerűrtartalom	144 cm <sup>3</sup>
Indítás	Húzással
Az üzemanyagtartály térfogata	1,5 liter
Ajánlott üzemanyag	Benzin - ólommentes, min. 95-ös oktánszámú
Az olajtartály űrtartalma	0,5 l
Ajánlott olaj	SAE30, 15W-40
A vágási magasság beállítása	Központi, 8 állás
A vágási magasság beállítható terjedelme	25-70 mm
A fűnyírás szélessége	460 mm
A kerekek mérete	Első 178 mm, hátsó 254 mm
A gyűjtőkosár kapacitása	65 l
Készülékház	acél
Deklarált zajszint	96 dB(A)
Maximális vibrációs szint	12,5 m/s (K=1,5)
Súly	29 kg

A szöveg és műszaki paraméterek változtatásának joga fenntartva.

Változtatások a szövegben, a kivitelben és a műszaki jellemzőkben előzetes figyelmeztetés nélkül történhetnek, a módosításra vonatkozó jog fenntartva

## 11. MEGSEMMISÍTÉS

### **A HASZNÁLT CSOMAGOLÓANYAGOKRA VONATKOZÓ UTASÍTÁSOK ÉS TÁJÉKOZTATÓ**

A használt csomagolóanyagot az önkormányzat által kijelölt hulladékgyűjtő helyen adja le.



A gép és tartozékai különböző anyagokból, pl. fémből és műanyagból készültek.  
A sérült alkatrészeket adja le szelektív gyűjtőhelyen. Tájékoztadjon a vonatkozó hivatalnál.



Ez a termék teljesíti az összes rá vonatkozó EU irányelv követelményeit.

Változtatások a szövegben, a kivitelen és a műszaki jellemzőkben előzetes figyelmeztetés nélkül történhetnek, a módosításra vonatkozó jog fenntartva.

Használati útmutató az eredeti nyelven.

# Spalinowa kosiarka do trawy

## INSTRUKCJA OBSŁUGI

**Dziękujemy za zakupienie tej ogrodowej spalinowej kosiarki rotacyjnej. Zanim zaczniesz z niej korzystać, przeczytaj uważnie niniejszą instrukcję obsługi i zachowaj ją do wglądu.**

### SPIS TREŚCI

1. OGÓLNE ZASADY BEZPIECZEŃSTWA.....	68
Ważne instrukcje dotyczące bezpieczeństwa.....	68
Opakowanie .....	68
Instrukcja obsługi.....	68
2. WYJAŚNIENIE TABLICZEK ZE WSKAZÓWKAMI ZNAJDUJĄCYCH SIĘ NA MASZYNIE.....	69
3. OPIS KOSIARKI (RYS. 1).....	71
4. MONTAŻ/PRZYGOTOWANIE .....	71
Wymij kosiarkę z kartonowego opakowania.....	71
5. MONTAŻ KOSIARKI.....	72
Montaż uchwyty.....	72
Instalacja panelu uchwyty .....	72
6. PRZED URUCHOMIENIEM KOSIARKI.....	73
Wlewanie oleju .....	73
Uzupełnianie paliwa .....	73
7. OBSŁUGA I EKSPLOATACJA KOSIARKI.....	74
Uruchamianie kosiarki.....	74
Obsługa napędu.....	74
Zakres użycia kosiarki spalinowej.....	75
Koszeniem z tylnym wyrzutem .....	75
Koszenie z wyrzutem bocznym.....	75
Mulczowanie.....	76
Ustawienia wysokości koszenia.....	76
Wymiana noży tnących .....	76
Wymiana oleju silnikowego .....	77
8. WSKAZÓWKI BEZPIECZEŃSTWA .....	77
Ogólne wskazówki bezpieczeństwa.....	77
Instrukcja użycia .....	77
9. KONSERWACJA.....	78
Pielęgnacja trawnika.....	78
Konserwacja.....	79
Serwis.....	80
Gwarancja nie dotyczy.....	80
Przechowywanie.....	80
10. Dane techniczne.....	81
11. Likwidacja.....	82

# 1. OGÓLNE ZASADY BEZPIECZEŃSTWA

## WAŻNE INSTRUKCJE DOTYCZĄCE BEZPIECZEŃSTWA

- ✿ Rozpakuj uważnie wyrób, zwracając przy tym uwagę, abyś nie wyrzucił żadnej części materiału opakowaniowego, zanim nie znajdziesz wszystkich części wyrobu.
- ✿ Przechowuj urządzenie w suchym miejscu z dala od dzieci.
- ✿ Przeczytaj wszystkie uwagi i wskazówki. Nieprzestrzeganie ostrzeżeń i wskazówek może spowodować porażenie prądem elektrycznym, pożar lub ciężkie obrażenia.

## OPAKOWANIE


Wyrób został umieszczony w opakowaniu chroniącym je przed uszkodzeniem podczas transportu. Opakowanie to jest surowcem i dlatego podlega recyklingowi.

## INSTRUKCJA OBSŁUGI

Zanim rozpoczniesz pracę z urządzeniem, przeczytaj następujące zasady bezpieczeństwa i wskazówki dotyczące użytkowania.

Zapoznaj się z elementami sterowania i prawidłowym użyciem urządzenia. Instrukcję należy starannie zachować do wglądu. Co najmniej w okresie gwarancyjnym zalecamy zachowanie oryginalnego opakowania łącznie z wewnętrznym materiałem opakowaniowym, dokument kasowy i kartę gwarancyjną.

W razie transportu zapakuj maszynę z powrotem do oryginalnego pudełka dostarczonego przez producenta, zapewniając w ten sposób maksymalną ochronę produktu podczas ewentualnego transportu (np. przewoźnika lub wysyłki do serwisu).

 **Uwaga:** Jeśli przekazujesz maszynę innym osobom, przekaz ją razem z instrukcją. Przestrzeganie załączonej instrukcji obsługi stanowi założenie prawidłowego użycia urządzenia. Instrukcja obsługi zawiera również wskazówki dotyczące obsługi, konserwacji i naprawy.

**Producent nie ponosi odpowiedzialności za wypadki lub szkody powstałe na skutek nieprzestrzegania niniejszej instrukcji.**

## 2. WYJAŚNIENIE TABLICZEK ZE WSKAZÓWKAMI ZNAJDUJĄCYCH SIĘ NA MASZYNIE



Przed uruchomieniem urządzenia prosimy o uważne zapoznanie się z instrukcją obsługi.



Pozostałe osoby powinny znajdować się poza obszarem pracy.



Uwaga, noże rotujące! Unikać ryzyka urazu kończyn.



Emisja gazów toksycznych. Nie korzystaj z kosiarki spalinowej w pomieszczeniach zamkniętych lub nie wentylowanych.



Powierzchni gorące, ryzyko oparzeń!



Przed rozpoczęciem konserwacji wyłącz silnik i odłącz świecę zapłonową.



Nigdy nie dolewaj paliwa przy włączonym silniku.



Uwaga, w przypadku nieprzestrzegania zaleceń zagraża ryzyko obrażeń osób, śmierci lub uszkodzenia urządzenia.



Używaj ochronników słuchu.

Używaj środków ochrony wzroku.

Używaj środków ochrony dróg oddechowych.



Zachowaj stałe odstęp od poruszających się części.



Poruszaj się po zboczu wzdłuż poziomic, nie zaś w górę i w dół.



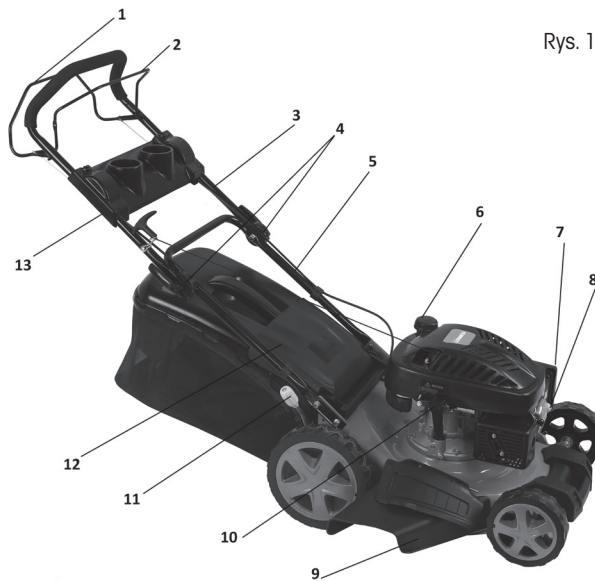
Produkt spełnia wszystkie odpowiednie dyrektywy europejskie.



Benzyna jest substancją skrajnie łatwopalną, dlatego przed dolaniem paliwa pozostaw silnik na 2 minuty do wystygnięcia.

### 3. OPIS KOSIARKI (Rys. 1)

1. Dźwignia napędu
2. Dźwignia zapięcia/hamulca
3. Górna część uchwyty
4. Śruby z nakrętką motylkową
5. Dolna część uchwyty
6. Korek zbiornika paliwa
7. Pokrywa filtra powietrznego
8. Pompka wtrysku paliwa
9. Deflektor wyrzutu bocznego
10. Korek z miarką oleju
11. Dźwignia centralnej regulacji wysokości koszenia
12. Pokrywa kosza
13. Panel uchwyty



Rys. 1

### 4. MONTAŻ/PRZYGOTOWANIE

Przed zmontowaniem i uruchomieniem kosiarki spalinowej dokładnie przeczytaj całą instrukcję obsługi i zawarte w niej polecenia.

- ⚠ WAŻNA INFORMACJA:** Kosiarka została dostarczona **BEZ PALIWA I OLEJU** w silniku. Twoja nowa kosiarka do trawy została przetestowana w zakładzie produkcyjnym, dlatego w silniku może się znajdować minimalna ilość resztek oleju.

#### WYMIJ KOSIARKĘ Z KARTONOWEGO OPAKOWANIA

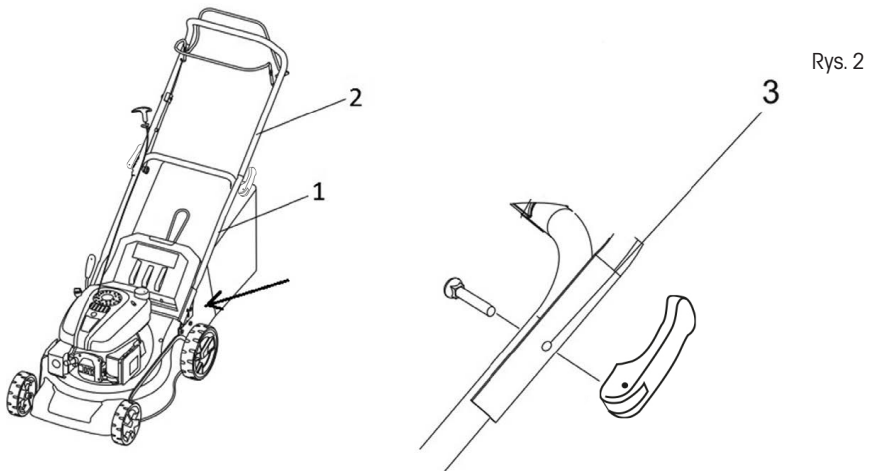
Wymij kosiarkę z kartonowego opakowania i sprawdź, czy w opakowaniu nie pozostały wolne części.

## 5. MONTAŻ KOSIARKI

**⚠ WAŻNA INFORMACJA:** Ostrożnie rozłóż rękojeść kosiarki tak, aby nie przytrzasnąć ani nie uszkodzić linki.

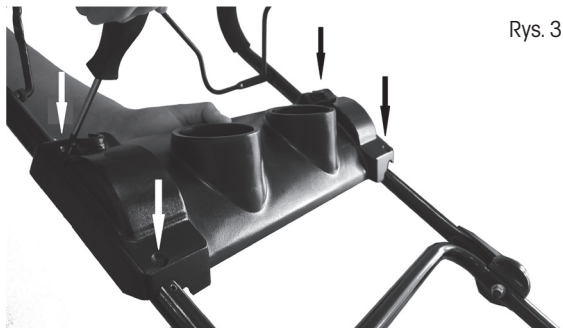
### 1. MONTAŻ UCHWYTU

1. Wsuń spodnią część uchwytu (Rys. 2 – punkt 1) do odpowiednich otworów w kosiarce (por. strzałka) i zabezpiecz go za pomocą 4 dołączonych śrub – po dwie śruby na każdej stronie uchwytu.
2. Połącz górną część uchwytu (Rys. 2 – punkt 2) z dolną częścią uchwytu za pomocą dołączonych śrub szybkozaciskowych i nakrętek motylkowych (Rys. 2 – punkt 3).



### 2. INSTALACJA PANELU UCHWYTU

Za pomocą dostarczonych śrub przymocuj plastikowy panel uchwytu (rys. 3).





### 3. ZAKŁADANIE KOSZA

Przymocuj plastikowe haczyki znajdujące się na zakończeniu tekstylnej części kosza do stalowej konstrukcji (rys. 4).



Rys. 4

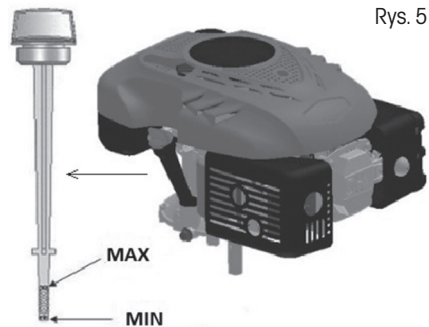
**⚠ WAŻNE OSTRZEŻENIA:** Kosz jest wyposażony w element sygnalizujący jego napelnienie. Jest to plastikowa klapka znajdująca się w tylnej części kosza. Jeśli kosz nie jest napelniony, klapka jest podniesiona. Po jej zamknięciu należy wysypać zawartość kosza.

## 6. PRZED URUCHOMIENIEM KOSIARKI

### WLEWANIE OLEJU

**Kosiarka została dostarczona bez oleju silnikowego. Przed pierwszym uruchomieniem wlej olej silnikowy SAE30 lub 15W-40 (ok. 500 ml) przestrzegając poniższych wskazówek.**

1. Przed rozpoczęciem wlewania oleju postaw kosiarkę na równej powierzchni.
2. Wyjmij korek z miarką oleju z otworu służącego do wlewania oleju (Rys. 5).
3. Po dolaniu oleju umieść miarkę z powrotem w otworze i dokręć ją.
4. Poziom oleju musi się znajdować pomiędzy górną (MAX) i dolną (MIN) granicą (Rys. 5).



Rys. 5

**⚠ Uwaga!** NIE PRZEPEŁNIAJ pojemnika z olejem, w przeciwnym wypadku po uruchomieniu kosiarki z rury wydechowej zacznie się wydobywać duża ilość dymu.

**⚠ WAŻNA INFORMACJA:** Sprawdź poziom oleju przed każdym użyciem kosiarki. W razie potrzeby dolej olej. Dolewaj olej do kreski MAX znajdującej się na miarce oleju.

**⚠ WAŻNA INFORMACJA:** Wymień olej po pierwszych 5 godzinach pracy, a następnie po każdych 25 godzinach pracy.

### UZUPEŁNIANIE PALIWA

**Odpowiednim paliwem dla tego typu silnika jest NATURAL 95**

Po odkręceniu korka zbiornika na paliwo (Rys. 1 – punkt 6) dolej paliwo aż do szyjki zbiornika na paliwo. Nie przepelniaj zbiornika.

Dolewaj zawsze świeżą, czystą i certyfikowaną benzynę bezołowiową o liczbie oktanowej min. 95.

**⚠ Uwaga!** Jeśli podczas dolewania oleju czy paliwa zabrudzisz kosiarkę, natychmiast ją wytrzyj. Nie przechowuj, nie dolewaj paliwa ani nie manipuluj nim w pobliżu otwartego ognia.

**⚠ Uwaga!** Paliwo zmieszane z alkoholem czy paliwo z domieszką etanolu czy metanu może wiązać wilgoć, co może prowadzić podczas magazynowania do separacji i powstawania kwasów. Podczas przechowywania opary kwasów mogą uszkodzić system paliwowy silnika kosiarki. Takie paliwo nie może być w kosiarce używane.

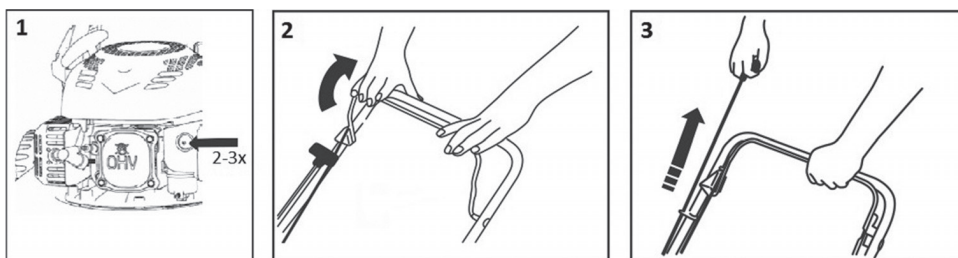
**⚠ WAŻNA INFORMACJA:** Jeśli nie będziesz używać kosiarki przez dłużej niż 30 dni, opróżnij zbiornik paliwa, uruchom silnik i pozostaw go włączony, dopóki nie dojdzie do opróżnienia rur paliwowych i gaźnika (silnik sam zgaśnie). Ten sposób postępowania zapobiega powstaniu problemów z silnikiem w przyszłości. Przed ponownym użyciem dolej do zbiornika świeże paliwo. Więcej szczegółów znajdziesz w rozdziale Przechowywanie.

## 7. OBSŁUGA I EKSPLOATACJA KOSIARKI

### URUCHAMIANIE KOSIARKI

1. Jeśli silnik nie jest przed uruchomieniem rozgrzany, wciśnij 2-3 razy pompkę wtrysku paliwa (Rys. 6 – punkt 1).  
Jeśli silnik jest rozgrzany, nie ma potrzeby korzystania z pompki wtrysku paliwa.
2. Przyciągnij dźwignię zapłonu/hamulca do uchwytu i przytrzymaj ją (Rys. 6 – punkt 2), a następnie pociągnij za linkę rozrusznika (Rys. 6 – punkt 3). Silnik powinien się uruchomić najpóźniej po 3-4 pociągnięciach.
3. Aby wyłączyć silnik, zwolnij dźwignię zapłonu/hamulca.

Rys. 6

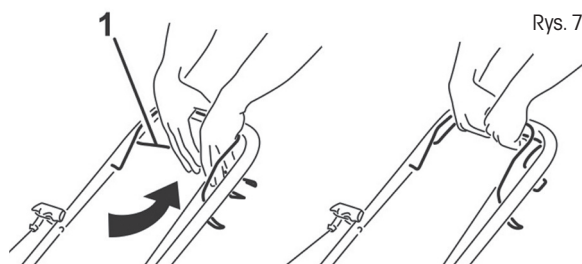


**⚠ Uwaga!** Po pierwszym uruchomieniu silnika może pojawić się niewielka ilość dymu z powodu wypalenia warstw ochronnych silnika. Jest to standardowa sytuacja, która nie sygnalizuje żadnego problemu.

### OBSŁUGA NAPĘDU

Do obsługi napędu służy dźwignia napędu (Rys. 7 – punkt 1). Po przyciągnięciu dźwigni do uchwytu kosiarka zacznie jechać.

Aby ją zatrzymać, zwolnij ponownie dźwignię. Ta kosiarka dysponuje jedną stałą prędkością.



### ZAKRES UŻYCIA KOSIARKI SPALINOWEJ

Koszenie z gromadzeniem skoszonej trawy w koszu  
 Koszenie z tylnym wyrzutem skoszonej trawy  
 Koszenie z wyrzutem bocznym  
 Mulczowanie - koszenie z wolnym układaniem trawy na trawniku

**⚠ UWAGA: Nie należy używać kosiarki na zboczach o pochyleniu powyżej 20° – grozi przegrzanie silnika!**

### KOSZENIE Z GROMADZENIEM SKOSZONEJ TRAWY W KOSZU

Przy założonym koszu skoszona trawa przedostaje się do kosza.

**⚠ UWAGA:** W przypadku niezadowolenia z efektu koszenia należy zwiększyć wysokość koszenia i upewnić się, że trawnik nie jest wilgotny.

### KOSZENIEM Z TYLNYM WYRZUTEM

Jeśli kosz nie jest założony, pokrywa kosza służy jako tzw. deflektor powodujący, że skoszona trawa spada na ziemię. Dzięki temu za skoszoną trawą powstaje rząd skoszonej trawy.

### KOSZENIE Z WYRZUTEM BOCZNYM

**⚠ Uwaga!** Boczny deflektor należy zakładać i zdejmować wyłącznie przy wyłączonym silniku.

Podnieś ręką pokrywę bocznego wyrzutu i załóż boczny deflektor (rys. 8). Przed koszeniem z wyrzutem bocznym do tunelu wyrzutowego należy zainstalować zaślepkę mulczującą.



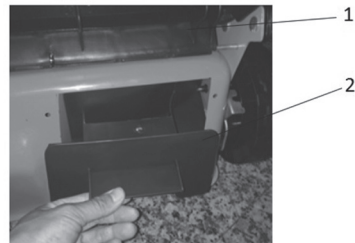
## MULCZOWANIE

**⚠ Uwaga!** Zaślepkę mulczującą należy przymocowywać i zdejmować wyłącznie przy wyłączonym silniku.

**⚠ Uwaga!** Podczas mulczowania korzystaj wyłącznie z oryginalnego wyposażenia do mulczowania.

1. Zdejmij kosz i przytrzymaj ręką plastikową pokrywę kosza (Rys. 9 – punkt 1)
2. Załóż zaślepkę mulczującą do tunelu wyrzutowego (Rys. 9 – punkt 2) i upewnij się, czy została mocno osadzona.

**⚠ WAŻNA INFORMACJA:** Nie mulczuj naraz wysokiej trawy. Unikniesz w ten sposób przeciążenia mechanizmu kosiarki i silnika.



Rys. 9

## USTAWIENIA WYSOKOŚCI KOSZENIA

Ustaw wysokość koszenia centralnie za pomocą dźwigni centralnej regulacji wysokości koszenia (Rys. 1 – punkt 11).

Do wyboru jest 5 pozycji w zakresie 25 – 75 mm. Do koszenia większości trawników najbardziej odpowiednia jest średnia wysokość.

Przy ustawieniu najniższej wysokości może dojść do uszkodzenia trawnika.

**⚠ UWAGA!** Aby uzyskać maksymalną wydajność, należy skracać długość trawy o maksymalnie 1/3 jej długości. Wysoką trawę należy kosić stopniowo i zmniejszać ustawienie wysokości o jeden stopień po każdym koszeniu.

Chcąc zachować jakość trawnika, nie używaj ustawień na najniższą wysokość koszenia.

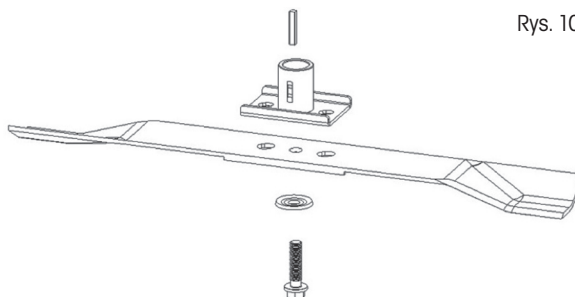
## WYMIANA NOŻY TNĄCYCH

**⚠ Uwaga!** W celu wymiany filtra powietrza zalecamy skontaktowanie z autoryzowanym serwisem.

**⚠ Uwaga!** Przed demontażem noża usuń olej ze zbiornika oleju.

Aby wymienić nóż tnący, odkręć śrubę (Rys. 10). Dokonaj montażu zgodnie z pokazanym rysunkiem.

Dokręć śrubę. Moment dokręcania wynosi 40 Nm. Równocześnie z wymianą noża wymień śrubę dokręcającą nóż.



Rys. 10

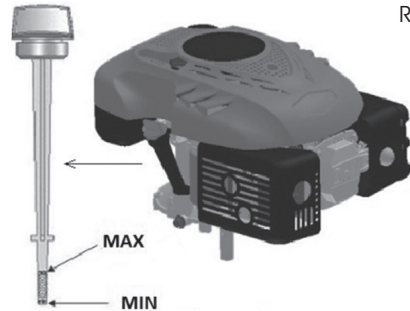
## WYMIANA OLEJU SILNIKOWEGO

**⚠ Uwaga!** W celu wymiany filtra powietrza zalecamy skontaktowanie z autoryzowanym serwisem.

Na krótką chwilę uruchom silnik kosiarki, aby olej się rozrzął. Następnie odessij olej wysysarką do oleju FZR 9050.

Dolej do zbiornika olej typu SAE30 lub 15W-40. Po włożeniu miarki oleju do otworu i jej przykręceniu poziom oleju powinien znajdować się pomiędzy kreskami Min. i Maks. (Rys. 11). Nie przepelniaj zasobnika na olej.

Uruchom silnik i pozostaw go na chwilę włączony. Zatrzymaj silnik, odczekaj 1 minutę i zmierz poziom oleju w zbiorniku. W razie potrzeby dolej olej do odpowiedniego poziomu.



Rys. 11

# 8. WSKAZÓWKI BEZPIECZEŃSTWA

## OGÓLNE WSKAZÓWKI BEZPIECZEŃSTWA

- ✿ Ten produkt służy wyłącznie do koszenia trawy. Nie używaj do innych celów niż te, do których jest przeznaczony. W innym wypadku grozi jego uszkodzenie lub wypadek.
- ✿ Nigdy nie należy pozwolić pracować z tym urządzeniem dzieciom ani osobom niezapoznanym z niniejszą instrukcją obsługi.
- ✿ Osoba obsługująca kosiarkę odpowiada za bezpieczeństwo osób znajdujących się w obszarze jej pracy. Nigdy nie używaj kosiarki bezpośrednio w pobliżu innych osób, dzieci lub wolno biegających zwierząt.
- ✿ Przed rozpoczęciem koszenia sprawdź teren, na którym kosiarka ma być używana, i usuń z niego kamienie, druty, patyki, odłamki szkła, kości i inne przedmioty obce, które mogłyby się zaklinować lub zostać wyrzucone i spowodować zranienia.

## INSTRUKCJA UŻYCIA

- ✿ Wszystkie nakrętki, sworznie i śruby należy dokręcić tak, aby urządzenie znajdowało się w bezpiecznym stanie i było zdolne do pracy.
- ✿ Nigdy nie korzystaj z kosiarki bez kosza lub pokrywy ochronnej.
- ✿ Nigdy nie korzystaj z kosiarki z poluzowanymi ostrzami noża. Zawsze upewnij się najpierw, czy odpowiednie śruby są dobrze dokręcone. Stępione ostrza należy równomiernie naostrzyć. Noże z uszkodzonymi ostrzami należy wymienić.
- ✿ Podczas pracy z kosiarką należy nosić spodnie z długimi nogawkami i solidne buty.
- ✿ Nigdy nie uruchamiaj kosiarki w zamkniętych lub słabo wentylowanych pomieszczeniach, gdzie mogą się gromadzić opary. Emisje pochodzące z silnika zawierają tlenek węgla, który jest substancją zagrażającą życiu.
- ✿ Pracuj wyłącznie przy dostatecznym oświetleniu (przy świetle dziennym lub przy dostatecznym sztucznym oświetleniu).
- ✿ Nie korzystaj z kosiarki podczas deszczu lub kiedy trawa jest mokra.
- ✿ Zachowaj szczególną ostrożność podczas koszenia w terenie z różnicami poziomów (na zboczach). Koś zawsze w poprzek zbocza, równoległe do poziomicy, nie zaś z góry na dół, prostopadłe do niej.

- ✿ Nigdy nie pozostawiaj włączonej kosiarki bez obsługi. Jeśli zamierzasz odejść od kosiarki, wyłącz silnik.
- ✿ Podczas uruchamiania kosiarki nigdy nie podnoś jej tylnej części i nigdy nie zbliżaj kończyn do podwozia lub do otworu tylnego wyrzutu trawy przy włączonym silniku.
- ✿ Nigdy nie zmieniaj ustawień prędkości silnika.
- ✿ W przypadku kosiarek z napędem zwolnij napęd przed uruchomieniem silnika.
- ✿ Nigdy nie przemieszczaj kosiarki z włączonym silnikiem.
- ✿ W następujących wypadkach należy zatrzymać silnik i odłączyć świecę zapłonową:
  - przed rozpoczęciem jakiegokolwiek czynności pod pokrywą lub otworem tylnego wyrzutu trawy.
  - przed rozpoczęciem konserwacji, naprawy lub kontroli urządzenia.
  - przed przenoszeniem, podnoszeniem lub przemieszczaniem kosiarki.
  - jeśli pozostawiasz kosiarkę bez nadzoru lub jeśli zamierzasz zmienić ustawienia wysokości koszenia.
  - przed demontażem i opróżnianiem worka zbiorczego.
  - jeśli dojdzie do kolizji z przedmiotem obcym, zatrzymaj silnik i dokładnie przejrzyj kosiarkę, aby wykluczyć możliwość jej uszkodzenia. W razie uszkodzenia, przewieź kosiarkę do wyspecjalizowanego serwisu w celu dokonania jej naprawy.

**⚠ UWAGA:** Po wyłączeniu silnika nóż obraca się jeszcze przez kilka sekund.

- W razie niestandardowych wibracji kosiarki (sprawdź natychmiast i usuń przyczynę wibracji).
- W celu zapewnienia bezpiecznej pracy kontroluj regularnie dokręcenie czopów, śrub i nakrętek na kosiarce.

**⚠ UWAGA:** PALIWO JEST CIECZĄ WYSOCE ŁATWOPALNĄ.

- ✿ Przechowuj paliwo w przeznaczonym do tego zbiorniku.
- ✿ Uzupelniaj paliwo wyłącznie w przestrzeni otwartej lub dobrze wentylowanej. Podczas kontaktu z paliwem nie pal papierosów ani nie używaj telefonu komórkowego.
- ✿ Paliwo należy uzupełniać wyłącznie przy wyłączonym silniku. Nigdy nie otwieraj zbiornika na paliwo i nie dolewaj go, jeśli silnik jest gorący lub pracuje.
- ✿ Jeśli dojdzie do rozlania benzyny, nie uruchamiaj silnika. Usuń kosiarkę z miejsca, gdzie doszło do rozlania paliwa unikając w ten sposób jego ewentualnego zapalenia. Kontynuuj pracę dopiero po wyparowaniu rozlanego paliwa i rozproszeniu oparów paliwa.
- ✿ Po uzupełnieniu paliwa dobrze dokręć zakrętkę zbiornika paliwa i zakrętkę kanistra z paliwem.

**⚠ UWAGA:** Przed rozpoczęciem konserwacji lub naprawy wyłącz silnik i odłącz świecę zapłonową.

## 9. KONSERWACJA

### PIELĘGNACJA TRAWNIKA

- ✿ W zależności od rodzaju trawnika należy stosować różne sposoby pielęgnacji.
- ✿ Dla tego za każdym razem należy zapoznać się ze wskazówkami podanymi na opakowaniach nasion, dotyczącymi wysokości koszenia, uwzględniającymi warunki wzrostu trawy na danym obszarze.
- ✿ Należy pamiętać, że większość trawy składa się ze źdźbła i jednego lub większej ilości liści. W przypadku całkowitego ścięcia liści dojdzie do uszkodzenia trawnika i odnowienie jego wzrostu będzie o wiele trudniejsze.

- ✿ Ogólnie obowiązują następujące wskazówki:
  - koszenie na zbyt niskim poziomie powoduje naruszenie korzeni i pojawienie się „plam”;
  - w lecie należy kosić na wyższym poziomie, aby uniknąć wysychania gleby;
  - koszenie mokrej trawy może spowodować obniżenie efektywności noża, co może doprowadzić do zaczepiania się trawy na nożu i jej wyrwania;
  - w przypadku wyjątkowo wysokiej trawy należy dokonać pierwszego koszenia na maksymalną wysokość, jaką umożliwia maszyna, a następnie wykonać drugie koszenie dopiero po dwu lub trzech dniach.
- ✿ Trawnik będzie mieć lepszy wygląd przy regularnym koszeniu całej jego powierzchni na tej samej wysokości oraz przy przestrzeganiu zmiany dwu kierunków.

## KONSERWACJA

- ✿ Wszystkie nakrętki, sworznie i śruby należy dokręcić tak, aby urządzenie znajdowało się w bezpiecznym stanie i było zdolne do pracy. Regularna konserwacja jest podstawą zapewnienia bezpieczeństwa użytkownika, zachowania zdolności urządzenia do pracy i jego wysokiej efektywności.
- ✿ Jeśli zbiornik paliwowy kosiarki jest napełniony benzyną, nigdy nie należy przechowywać jej wewnątrz budynku, gdzie opary mogłyby być w kontakcie z otwartym ogniem, iskrami lub źródłami wysokich temperatur.
- ✿ Przed odstawieniem kosiarki do przechowania w jakimkolwiek pomieszczeniu zamkniętym pozostaw silnik do wystygnięcia.
- ✿ W celu obniżenia ryzyka pożaru zadбай o to, aby na kosiarce, a w szczególności jej silniku, tłumiku, akumulatorze oraz w miejscu przechowywania zapasowej benzyny nie znajdowały się resztki trawy, liści lub nadmierna ilość smaru.
- ✿ Regularnie sprawdzaj stan deflektora i kosza; w razie ich uszkodzenia wymień je.
- ✿ Wylewaj paliwo w dobrze wentylowanym pomieszczeniu przy chłodnym silniku.
- ✿ Podczas zdejmowania lub instalacji noża korzystaj z grubych rękawic ochronnych.
- ✿ Po każdym naostrzeniu ostrza noża należy sprawdzić jego wyważenie.

**⚠ UWAGA:** Przed rozpoczęciem konserwacji lub naprawy wyłącz silnik i odłącz świecę zapłonową.

- ✿ Regularnie sprawdzaj kosiarkę i zadбай o usuwanie wszystkich osadów trawy ze spodniej części podwozia.
- ✿ Regularnie smaruj os podwozia oraz łożyska odpowiednim smarem.
- ✿ Regularnie sprawdzaj stan noży, ponieważ ma to znaczący wpływ na efektywność kosiarki. Noże powinny być zawsze ostre i wyważone.
- ✿ W regularnych odstępach czasu sprawdzaj dokręcenie wszystkich śrub i nakrętek. Zużyte lub źle dokręcone nakrętki i śruby mogą spowodować poważne uszkodzenie silnika lub jego ramy.
- ✿ Jeśli nóż gwałtownie zderzy się z przeszkodą, zatrzymaj kosiarkę i odwieź ją do autoryzowanego serwisu.
- ✿ **NÓŻ:** nóż jest wyprodukowany z wyłazczanej stali. Aby uzyskać jak najlepszy efekt koszenia, regularnie ostrz nóż, po mniej więcej 25 godzinach pracy. Upewnij się, czy nóż jest prawidłowo wyważony. W tym celu włóż do środkowego otworu noża żelazną oś (o średnicy 2-3 mm). Jeśli nóż jest prawidłowo wyważony, oś utrzyma się w pozycji horyzontalnej.
- ✿ Jeśli nóż nie utrzyma się w pozycji horyzontalnej, wymień go.
- ✿ Przy demontażu noża odkręć śrubę i sprawdź nośną część noża. Jeśli części są zużyte lub uszkodzone, wymień je.

**⚠ UWAGA:** Używaj wyłącznie oryginalnych części zamiennych. Części zamienne złej jakości mogą spowodować poważne uszkodzenia kosiarki i zagrażać Twojemu bezpieczeństwu.

## SERWIS

- ✿ Jeśli po nabyciu produktu odkryjesz w nim jakąkolwiek wadę, skontaktuj się z wydziałem serwisu. Podczas korzystania z produktu postępuj zgodnie z zaleceniami podanymi w dołączonej instrukcji użycia.
- ✿ Reklamacja nie dotyczy sytuacji, gdy użytkownik dokonał przeróbki produktu lub nie postępował zgodnie z zaleceniami podanymi w instrukcji użycia.

## GWARANCJA NIE DOTYCZY

- ✿ Naturalnego zużycia funkcjonalnych części maszyny wynikających z jej eksploatacji.
- ✿ Czynności serwisowych związanych ze standardową konserwacją maszyny (np. czyszczenia, smarowania, kalibracji itp.) Wad spowodowanych na skutek oddziaływania czynników zewnętrznych (np. warunków klimatycznych, zapylenia, niewłaściwego użycia itp.)
- ✿ Uszkodzeń mechanicznych będących następstwem upadku maszyny, zderzenia, uderzenia itp.
- ✿ Szkód powstałych na skutek niefachowej obsługi, przeciążenia, użycia niewłaściwych części lub nieodpowiednich narzędzi itp.
- ✿ W przypadku reklamowanych produktów, które nie zostały należycie zabezpieczone przed mechanicznym uszkodzeniem podczas transportu, ryzyko ewentualnej szkody ponosi wyłącznie ich właściciel.

## PRZECHOWYWANIE

- ✿ Jeśli nie zamierzasz używać maszyny przez dłuższy czas, przechowuj ją zgodnie z zaleceniami podanymi poniżej. Dzięki temu przedłużysz żywotność urządzenia.
- ✿ Wylej całość paliwa ze zbiornika paliwa i karburatora.
- ✿ Odkręć świecę zapłonową i nalej do otworu niewielką ilość oleju silnikowego. Delikatnie pociągnij 2 do 3 razy za rozrusznik.
- ✿ Wytrzyj zewnętrzne powierzchnie czystą ścierką. Przechowuj maszynę w czystym i suchym miejscu.



## 10. DANE TECHNICZNE

Silnik	RATO RV145-S
Typ silnika	OHV, chłodzony powietrzem, 4-suwowy
Moc nominalna	2,50 kW
Obroty silnika	3000 obr./min.
Pojemność skokowa	144 cm <sup>3</sup>
Rozruch	Przez pociągnięcie
Pojemność zbiornika paliwa	1,5 litra
Zalecane paliwo	Benzyna - bezołowiowa, min. 95 oktanów
Pojemność zbiornika oleju	0,5 l
Zalecany olej	SAE30, 15W-40
Ustawienia wysokości koszenia	Centralne, 8 pozycji
Regulacja zakresu wysokości koszenia	25-70 mm
Zasięg koszenia	460 mm
Rozmiar kół	Przednie 178 mm, tylne 254 mm
Pojemność kosza zbiorczego	65 l
Obudowa	stal
Deklarowany poziom hałasu	96 dB(A)
Maksymalny poziom wibracji	12,5 m/s (K=1,5)
Ciężar	29 kg

Możliwość zmiany tekstu i parametrów technicznych zastrzeżona.

Zastrzegamy sobie możliwość dokonywania zmian tekstu, designu i danych technicznych wyrobu bez uprzedzenia.

## 11. LIKWIDACJA

### **WSKAZÓWKI I INFORMACJE DOTYCZĄCE GOSPODARKI ZUŻYTYM OPAKOWANIEM**

Zużyty materiał z opakowania należy przekazać na gminne wysypisko odpadów.



Maszyna i jej wyposażenie są wyprodukowane z różnych materiałów, np. z metalu i plastiku. Uszkodzone części należy oddać do punktu selektywnej zbiórki. Szczegółowych informacji udziela odpowiedni urząd.



Ten produkt spełnia wszelkie podstawowe wymagania dyrektyw UE, które go dotyczą.

Zastrzegamy sobie możliwość dokonywania zmian tekstu, designu i danych technicznych wyrobu bez uprzedzenia.

Instrukcja użycia w języku oryginalnym.



**FIELDMANN®**  
Home & Garden Performance

**Model /Modell /Modelis:** .....

**Záruční list / Záručný list /  
Warranty Certificate / Jótállási jegy /  
Garantijos taisyklės / Karta Gwarancyjna**

Výrobní číslo  
Výrobné číslo  
Serial No.  
Szériaszám  
Serijos Nr.  
Numer seryjny

Razítko a podpis prodejce  
Pečiatka a podpis predajcu  
Dealer's stamp  
A kereskedő bélyegzője  
Pardavėjo antspaudas  
Pieczęćka i podpis sklepu

Datum prodeje  
Dátum predaja  
Date of purchase  
A vásárlás dátuma  
Pardavimo data  
Data zakupu

## Záruční podmínky

Prodávající poskytuje kupujícímu na výrobek záruku v trvání 24 měsíců od převzetí výrobku kupujícím. Záruka se poskytuje za dále uvedených podmínek. Záruka se vztahuje pouze na nové spotřební zboží prodané spotřebiteli pro běžné domácí použití. Práva z odpovědnosti za vady (reklamaci) může kupující uplatnit buď u prodávajícího, u kterého byl výrobek zakoupen nebo v níže uvedeném autorizovaném servisu. Kupující je povinen reklamaci uplatnit bez zbytečného odkladu, aby nedocházelo ke zhoršení vady, nejpozději však do konce záruční doby. Kupující je povinen poskytnout při reklamaci součinnost nutnou pro ověření existence reklamované vady. Do reklamačního řízení se přijímá pouze kompletní a z důvodů dodržení hygienických předpisů neznečištěný výrobek. V případě oprávněné reklamace se záruční doba prodlužuje o dobu od okamžiku uplatnění reklamace do okamžiku převzetí opraveného výrobku kupujícím nebo okamžiku, kdy je kupující po skončení opravy povinen výrobek převzít. Kupující je povinen prokázat svá práva reklamovat (doklad o zakoupení výrobku, záruční list, doklad o uvedení výrobku do provozu...).

### Záruka se nevztahuje zejména na:

■ vady, na které byla poskytnuta sleva ■ opotřebení a poškození vzniklé běžným užíváním výrobku ■ poškození výrobku v důsledku neodborné či nesprávné instalace, použití výrobku v rozporu s návodem k použití, platnými právními předpisy a obecně známými a obvyklými způsoby používání, v důsledku použití výrobku k jinému účelu, než ke kterému je určen ■ poškození výrobku v důsledku zanedbané nebo nesprávné údržby ■ poškození výrobku způsobené jeho znečištěním, nehodou a zásahem vyšší moci (živelná událost, požár, vniknutí vody...) ■ vady funkčnosti výrobku způsobené nevhodnou kvalitou signálu, rušivým elektromagnetickým polem apod. ■ mechanické poškození výrobku (např. ulomení knoflíku, pád...) ■ poškození způsobené použitím nevhodných médií, náplní, spotřebního materiálu (batérie) nebo nevhodnými provozními podmínkami (např. vysoké teploty, vysoká vlhkost prostředí, otrasy...) ■ poškození, úpravu nebo jiný zásah do výrobku provedený neoprávněnou nebo neautorizovanou osobou (servisem) ■ případy, kdy kupující při reklamaci neprokáže oprávněnost svých práv (kdy a kde reklamovaný výrobek zakoupil) ■ případy, kdy se údaje v předložených dokladech liší od údajů uvedených na výrobku ■ případy, kdy reklamovaný výrobek nelze ztotožnit s výrobkem uvedeným v dokladech, kterými kupující prokazuje svá ■ práva reklamovat (např. poškození výrobního čísla nebo záruční plomby přístroje, prepisované údaje v dokladech...)

## Záručné podmienky

Predávajúci poskytuje kupujúcemu na výrobok záruku v trvaní 24 mesiacov záruku od jeho prevzatia kupujúcim. Záruka sa poskytuje ďalej za nižšie uvedených podmienok. Záruka sa vzťahuje iba na spotrebný tovar predaný spotrebiteľovi na bežné domáce použitie. Práva zo zodpovednosti za chyby (reklamácie) môže kupujúci uplatniť buď u predávajúceho, u ktorého bol výrobok zakúpený alebo v nižšie uvedenom autorizovanom servise. Kupujúci je povinný reklamáciu uplatniť bez zbytočného odkladu, aby nedochádzalo ku zhoršeniu chyby, najneskôr však do konca záručnej doby. Kupujúci je povinný pri reklamácii spolupracovať pri overení existencie reklamovanej chyby. Do reklamačného procesu sa prijíma iba kompletný a z dôvodu dodržania hygienických predpisov neznečistený výrobok. V prípade oprávnenej reklamácie sa záručná doba predlžuje o dobu od okamžiku uplatnenia reklamácie do okamžiku prevzatia opraveného výrobku kupujúcim, kedy je kupujúci po skončení opravy povinný výrobok prevziať. Kupujúci je povinný preukázať svoje práva reklamovať (doklad o zakúpení výrobku, záručný list, doklad o uvedení výrobku do prevádzky...).

### Záruka sa nevzťahuje na:

■ chyby, na ktoré boli poskytnuté zľavy ■ opotrebenia a poškodenia vzniknuté bežným užívaním výrobku ■ poškodenie výrobku v dôsledku neodbornej či nesprávnej inštalácie, použitie výrobku v rozpore s návodom na použitie s platnými právnymi predpismi a všeobecne známymi a obvyklými spôsobmi používania, v dôsledku použitia výrobku za iným účelom, než na ktorý je určený ■ poškodenie výrobku v dôsledku zanedbanej alebo nesprávnej údržby ■ poškodenie výrobku spôsobené jeho znečistením, nehodou a zásahom vyššej moci (živelná udalosť, požiar, vniknutie vody...) ■ chyby funkčnosti výrobku spôsobené nevhodnou kvalitou signálu, rušivým elektromagnetickým poľom a pod. ■ mechanické poškodenie výrobku (napr. zlomenie gombíka, pád...) ■ poškodenie spôsobené použitím nevhodných médií, náplní, spotrebného materiálu (batérie) alebo nevhodnými prevádzkovými podmienkami (napr. vysoké teploty v okolí, vysoká vlhkosť prostredia, otrasy...) ■ poškodenie, úpravu alebo iný zásah do výrobku spôsobený neoprávnenu alebo neautorizovanou osobou (servisom) ■ prípady, keď kupujúci pri reklamácii nepreukáže oprávnenosť svojich práv (kedy a kde reklamovaný výrobok zakúpil) ■ prípady, keď sa údaje v predložených dokladoch líšia od údajov uvedených na výrobku ■ prípady, keď reklamovaný výrobok sa nestotožňuje s výrobkom uvedeným v dokladoch, ktorými kupujúci preukazuje svoje práva reklamovať (napr. poškodenie výrobného čísla alebo záručnej plomby prístroja, prepisované údajov dokladoch...)

## Conditions of guarantee

This product is warranted for the period of 24 months from the date of purchase to the end-user. Warranty is limited to the following conditions. Warranty is referred only to the customer goods using for common domestic use. The claim for service can be applied either at dealer's shop where the product was bought, or at below mentioned authorized service shops. The end-user is obligated to set up a claim immediately when the defects appeared but only till the end of warranty period. The end-user is obligated to cooperate to certify the claiming defects. Only completed and clean (according to hygienic standards) product will be accepted. In case of eligible warranty claim the warranty period will be prolonged by the period from the date of claim application till the date of taking over the product by end-user, or the date the end-user is obligated to take it over. To obtain the service under this warranty, end-user is obligated to certify his claim with duly completed following documents: receipt, certificate of warranty, certificate of installation... **This warranty is void especially if apply as follows:** ■ Defects which were put on sale. ■ Wear-out or damage caused by common use. ■ The product was damaged by unprofessional or wrong installation, used in contrary to the applicable instruction manual, used in contrary to legal enactment and common process of use or used for another purpose which has been designed for. ■ The product was damaged by uncaared-for or insufficient maintenance. ■ The product was damaged by dirt, accident of force majeure (natural disaster, fire, flood, ...). ■ Defects on functionality caused by low quality of signal, electromagnetic field interference etc. ■ The product was mechanically damaged (e.g. broken button, fall...). ■ Damage caused by use of unsuitable media, fillings, expendable supplies (batteries) or by unsuitable working conditions (e.g. high temperatures, high humidity, quakes,...). ■ Repair, modification or other failure action to the product by unauthorized person. ■ End-user did not prove enough his right to claim (time and place of purchase). ■ Data on presented documents differs from data on products. ■ Cases when the claiming product can not be indentified according to the presented documents (e.g. the serial number or the warranty seal has been damaged).

## Autorizovaná servisní střediska / Autorizované servisné strediská / Authorized service centres

FAST ČR, a. s.  
U Sanitasu 1621 CZ  
251 01 Říčany  
Česká republika  
Tel.: +420/ 323 204 120  
Fax: +420/ 323 204 121  
servis.praha@fastcr.cz  
www.fastcr.cz

FAST ČR, a. s.  
Cejl 31  
CZ 602 00 Brno  
Česká republika  
Tel.: +420/ 531 010 295  
Fax: +420/ 531 010 296  
servis.brno@fastcr.cz  
www.fastcr.cz

Fast Plus, a. s.  
Na Pántoch 18  
SK 831 06 Bratislava  
Slovenská republika  
Tel.: +421/ 249 105 811  
Fax: +421/ 249 105 810  
fastplus@fastplus.sk  
www.fastplus.sk

## Jótállási jegy

■ A termék gyártója: FAST ČR, a.s. (U Sanitasa 1621, Řičany u Prahy 251 01, Csehország)  
■ A FAST Hungary Kft. (2310 Szigetszentmiklós, Kántor út 10.) mint a termék magyarországi importőre a jótállási jegyen feltüntetett típusú és gyártási számú készülékek jótállást biztosít a fogyasztók számára az alábbi feltételek szerint:  
■ A FAST Hungary Kft. a termékre a fogyasztó részére történő átadástól (vásárlástól), illetve ha az üzembe helyezést a terméket értékesítő vállalkozás vagy annak megbízottja végzi, az üzembe helyezéstől számított 24 hónapig, míg 250.000,- Ft eladási ár felett 36 hónapig tartó időtartamra vállal jótállást. Ha a terméket a fogyasztó az átadástól számított fél éven belül helyzeti üzembe, akkor a jótállási határidő a termék átadásától kezdődik. A termék alkotórészeire és tartozékaira (pl. akkumulátor) a jótállási idő a termék átadásától számított 12 hónap.  
■ A jótállási igény a jótállási jeggyel, az átadástól (ha releváns az üzembe helyezéstől) számított (i) 1 évig - 100.000,- Ft eladási ár meg nem haladó termék esetén; (ii) 2 évig - 250.000,- Ft eladási ár meg nem haladó termék esetén; (iii) 3 évig - 250.000,- Ft eladási ár meghaladó termék esetén a terméket értékesítő vállalkozásnál, annak székhelyén, vagy bármely telephelyén, fióktelepén, illetve mindhárom esetben a jótállási jegyen feltüntetett hivatalos szerviznél közvetlenül is, míg az előző (i) pont szerinti esetben, azaz 100.000,- Ft eladási ár meg nem haladó termék esetén a 13. hónaptól a 24. hónapig kizárólag a hivatalos szerviznél érvényesíthető. ■ Jótállási jegy hiányában a fogyasztói szerződés megkötését bizonyíthatnák kell tekinteni, ha a fogyasztó bemutatja a termék ellenértékének megfizetését hitel érdemlően igazoló bizonylatot. Mindezek érdekében kérjük tisztelt Vásárlóinkat, hogy őrizzék meg a fizetési bizonylatot is. A jótállási időn belüli meghibásodás esetén a fogyasztó - válaszára szerint - (i) a hibás termék díjmentes kijavítását vagy kicserélését követelheti, kivéve, ha a választott igény teljesítése lehetetlen, vagy ha az a jótállásra kötelezettnek a fogyasztó által érvényesíteni kívánt másik igény teljesítésével összehasonlítva aránytalan többletköltséget eredményezne, vagy (ii) ha a kötelezett a kijavítást, illetve kicserélést nem vállalata, vagy e kötelezettségének megfelelő határidőn belül, a fogyasztó érdekeit kímélve nem tud eleget tenni, vagy ha a fogyasztónak a kijavításhoz vagy kicseréléshöz fűződő érdeke megszűnt, akkor a fogyasztó megfelelő árleszállítást igényelhet, vagy a hibát a kötelezett költségére maga kijavíthatja vagy mással kijavíthatja vagy elállhat a szerződéstől. Jelentéktelen hiba miatt

elállásnak nincs helye. A fogyasztó a választott jogáról másra térhet át. Az áttéréssel okozott költséget köteles a jótállásra kötelezettnek megfizetni, kivéve, ha az áttérésre a jótállásra kötelezett adott okot, vagy az áttérés egyébként indokolt volt. ■ Ha a jótállási időtartam alatt a termék első alkalommal történő javítása során megállapítást nyer, hogy a termék nem javítható, a fogyasztó eltérő rendelkezése hiányában a termék a megállapítást követő 8 napon belül kicserélésre kerül. Ha a termék cseréjére nincs lehetőség, a fogyasztó által bemutatott, a termék ellenértékének megfizetését igazoló bizonylaton feltüntetett vételárat nyolc napon belül kell a fogyasztó részére visszatéríteni. ■ Ha a jótállási időtartam alatt a termék három alkalommal történő kijavítást követően ismét meghibásodik, a fogyasztó eltérő rendelkezése hiányában, valamint ha a fogyasztó nem igényli a vételár arányos leszállítását, és nem kívánja a terméket a jótállásra kötelezett költségére kijavítani vagy mással kijavíttatni, a termék 8 napon belül kicserélésre kerül. Ha a termék kicserélésére nincs lehetőség, a fogyasztó által bemutatott, a termék ellenértékének megfizetését igazoló bizonylaton feltüntetett vételárat nyolc napon belül kell a fogyasztó részére visszatéríteni. ■ Ha a termék kijavítására a kijavítási igény közlésétől számított 30. napig nem kerül sor, a fogyasztó eltérő rendelkezése hiányában a terméket a 30 napos határidő eredménytelen eltelte követő nyolc napon belül cserélni kell. Ha a termék cseréjére nincs lehetőség, a fogyasztó által bemutatott, a termék ellenértékének megfizetését igazoló bizonylaton feltüntetett vételárat a 30 napos kijavítási határidő eredménytelen eltelte követő nyolc napon belül kell a fogyasztó részére visszatéríteni. ■ A fogyasztó a hiba felfedezését követően késedelem nélkül, legkésőbb a felfedezéstől számított 2 hónapon belül köteles a hibát közölni. A bejelentés kapcsán kérjük vegye figyelembe, hogy a **jótállási igény kizárólag a jótállási határidőben érvényesíthető! Mindazonáltal a jótállási határidő meghosszabbodik a javításra átadás napjától kezdve azzal az idővel, amely alatt a fogyasztó a terméket a hiba miatt rendeltésszerűen nem használhatta.** Ha a jótállásra kötelezett jótállási kötelezettségének megfelelő határidőben nem tesz eleget, a jótállási igény a fogyasztó erre irányuló felhívásában tűzött megfelelő határidő elteltétől számított 3 hónapon belül akkor is érvényesíthető bíróság előtt, ha a jótállási idő már eltelt. E határidő elmulasztása jogvesztéssel jár. A jótállási kötelezettség teljesítésével kapcsolatosan felmerülő költségek a jótállás kötelezettjé terhelik.

■ A 151/2003. (IX.22.) Korm.rendeletben meghatározott tartós fogyasztási cikk meghibásodása miatt a vásárlástól (üzembe helyezéstől) számított három munkanapon belül érvényesített csereigény esetén a terméket értékesítő vállalkozás nem hivatkozhat aránytalan többletköltségre, hanem köteles a tartós fogyasztási cikket kicserélni, feltéve, hogy a meghibásodás a rendeltetésszerű használatot akadályozza (és a csere nem lehetetlen). ■ Kijavítás esetén a fogyasztási cikkbe csak új alkatrész kerülhet beépítésre. Javítási- vagy csereigény esetén törekedni kell arra, hogy a kijavítás vagy kicserélés 15 napon belül megtörténjen. Ha a javítás vagy a csere időtartama a 15 napot meghaladja, akkor tájékoztatni kell a fogyasztót a javítás vagy a csere várható időtartamáról. A tájékoztatás a fogyasztó előzetes hozzájárulása esetén elektronikus úton, vagy a fogyasztó általi átvétel igazolására alkalmas más módon történik. A rögzített beiktatás, illetve a 10kg-nál súlyosabb, vagy tömegközlekedési eszközön kézi csomagként nem szállítható fogyasztási cikket - járművek kivételével - az üzemeltetés helyén kell megjavítani. Ha a javítás az üzemeltetés helyén nem végezhető el, a le- és felszerelésről, valamint az el- és visszaszállításról a jótállás kötelezettje, vagy - a javítószolgáltatnál közvetlenül érvényesített kijavítási igény esetén - a javítószolgáltat gondoskodik.

■ Nem tartozik jótállás alá a hiba és a jótállásra kötelezett mentesül a jótállási kötelezettség alól, ha bizonyítja, hogy a hiba oka a termék fogyasztó részére való átadását követően keletkezett, így például ha a hibát ■ nem rendeltetésszerű használat, használati útmutató figyelmen kívül hagyása, helytelen szállítás vagy tárolás, leejtés, rongálás, elemi kár, készüléken kívüli ok (pl. hálózati feszültség megengedettnél nagyobb ingadozása) ■ illetéktelen átalakítás, beavatkozás, nem hivatalos szerviz által végzett szakszerűtlen javítás ■ fogyasztó feladatát képező karbantartási munkák elmulasztása ■ normál, természetes elhasználódásra visszavezethető (pl. elem lemerülése) vagy üzemserű kopásnak tulajdonítható meghibásodás okozta. A jótállás a fogyasztó jogszabályból eredő jogait, így különösen a Polgári Törvénykönyv szerinti köllékszavatossági illetve termékszavatossági jogait nem érinti. ■ Tájékoztatjuk, hogy a fogyasztóvédelmi törvényben meghatározott fogyasztói jogvita bíróságon kívüli rendezése érdekében Ön a megyei (fővárosi) kereskedelmi és iparkamarák által működtetett békéltető testület eljárását is kezdeményezheti (a békéltető testület elérhetősége: <https://bekeltetes.hu/index.php?id=testuletek>).

Hivatalos szervíz / **Autoryzowana sieć serwisowa**

revision 01/2021

Fast Hungary Kft.  
2310, Szigetszentmiklós  
Kántor u. 10  
Hungary  
Tel.: + 36/ 23 330 830  
Fax: + 36/ 23 330 8274  
fasthungary@fasthungary.hu  
www.fasthungary.hu

### **A kereskedő tölti ki**

Megnevezés:.....

Tipus:..... Gyártási szám: .....

A termék azonosításra alkalmas részeinek meghatározása (ha alkalmazható):.....

Vásárlást igazoló bizonylat száma:.....

A vásárlás (üzembe helyezés) időpontja: 20..... hó.....nap.

Kereskedő bélyegzője:

Kereskedő aláírása: .....

Kereskedő címe: .....

### **Javítás esetén alkalmazandó**

#### **A kereskedő vagy szerviznél történő közvetlen bejelentés esetén a szerviz tölti ki**

A jótállási igény bejelentésének időpontja: .....

Javításra átvétel időpontja: .....

Hiba oka: .....

Javítás módja: .....

A termék fogyasztó részére való visszaadásának időpontja: .....

A jótállás – kijavítás időtartamával meghosszabbított – új határideje:.....

Szerviz pecsétje:

Kereskedő pecsétje:.....

### **Kicserélés esetén alkalmazandó**

A jótállási igény kicseréléssel került rendezésre.

A csere időpontja: .....

Kereskedő bélyegzője:

Tisztelt Fogyasztó!

Köszönjük, hogy termékünket választotta. Cégünk és szervizünk elérhetősége:

**FAST Hungary Kft.** H-2310 Szigetszentmiklós, Kántor út 10. Tel.: 06-23-330-905; 06-23-330-830;

Fax: 06-23-330-827, E-mail: [szerviz@fasthungary.hu](mailto:szerviz@fasthungary.hu)



## Garantijos taisyklės

Šiam gaminiui suteikiama 24 mėnesių nuo įsigijimo datos garantija. Garantija apsiriboja žemiau pateikiamomis sąlygomis. Garantija skirta tik gaminiams, skirtiems buitiniam naudojimui. Dėl garantinio remonto pirkejas gali kreiptis į pardavėjo parduotuvę, kurioje gaminį pirkė, arba į nurodytus įgaliotus techninės priežiūros centrus. Galutinis naudotojas įsipareigoja pateikti pretenziją nedelsiant po defekto atsiradimo, tačiau tik iki garantijos galiojimo periodo pabaigos. Galutinis naudotojas įsipareigoja bendradarbiauti patvirtinant gaminio defektus, dėl kurių pateikia pretenziją. Priimtas bus tik pilnai sukomplektuotas ir švarus (pagal higienos standartus) gaminys. Jei pretenzija dėl garantinio remonto bus pagrįsta, gaminio garantijos galiojimo periodas bus prailgintas atitinkamai periodu nuo pretenzijos pateikimo datos iki galutinio naudotojas pasims sutaisytą gaminį arba iki datos, kada galutinis naudotojas turėtų pasiimti sutaisytą gaminį. Noredamas gauti garantinio remonto paslaugas, galutinis naudotojas turi patvirtinti pretenziją pilnai užpildytais sekančiais dokumentais: pirkimo kvitu, garantiniu talonu, instaliavimo sertifikatu... **Garantija netaikoma:** ■ Nukainotoms (brokuotoms) prekėms. ■ Įprastinai susidėvinčioms gaminio dalims ■ Gedimams, atsiradusiems neprofesionaliai ar neteisingai įinstaliavus, nesilaikant gaminio naudojimo instrukcijų, naudojant gaminį ne pagal įstatymų numatytus standartus ar įprastinius tokio tipo gaminijų naudojimo procesus, naudojant gaminį kitaip paskirtai nei numatyta. ■ Gedimams, atsiradusiems dėl netinkamos ar nepakankamos gaminio priežiūros. ■ Gedimams, atsiradusiems dėl purvo, menugalimos jėgos aplinkybių (stichinių nelaimių, gaisro, potvynio, ...). ■ Gedimams, atsiradusiems dėl prastos kokybės signalo, elektromagnetinio lauko trikdžių ir kt. ■ RADIUS mechaninių pažeidimų (pvz. sulaužyti mygtukai, kritimo požymiai...). ■ Gedimams, atsiradusiems naudojant gaminį su netinkamomis laikmenomis, jungiant prie netinkamų tinklų, dedant į gaminį netinkamus maitinimo šaltinius (baterijas) ar dėl bet kokių kitų netinkamų naudojimo sąlygų (pvz. aukštos temperatūros, didelės drėgmės, žemės drebjimų...). ■ Nustačius, kad gaminys taisytas, modifikuotas ar ardytas neįgaliotų tai daryti asmenų. ■ Jei galutinis naudotojas neturi visų reikalingų dokumentų, įrodančių jo teisę į garantinį remontą (pvz. dokumento, kur būtų nurodytas gaminio įsigijimo laikas ir vieta). ■ Jei data pateiktuose dokumentuose skiriasi nuo datos ant gaminio.

## Warunki gwarancji

Produkt objęty jest 24 – miesięczną gwarancją, począwszy od daty zakupu przez klienta. Gwarancja jest ograniczona tylko do przedstawionych dalej warunków. Gwarancja obejmuje tylko produkty zakupione w Polsce i jest ważna tylko na terytorium Rzeczypospolitej Polskiej. Gwarancja obejmuje tylko produkty funkcjonujące w warunkach gospodarstwa domowego (nie dotyczy produktów oznaczonych jako „Professional”). Zgłoszenia gwarancyjne można dokonać w autoryzowanej sieci serwisowej lub w sklepie, gdzie produkt został nabyty. Użytkownik jest zobowiązany zgłosić usterkę niezwłocznie po jej wykryciu, a najpóźniej w ostatnim dniu obowiązywania okresu gwarancyjnego. Użytkownik jest zobowiązany do przedstawienia i udokumentowania usterki. Tylko kompletne i czyste produkty (zgodnie ze standardami higienicznymi) będą przyjmowane do naprawy. Usterki będą usuwane przez autoryzowany punkt serwisowy w możliwie krótkim terminie, nieprzekraczającym 14 dni roboczych. Okres gwarancji przedłuża się o czas pobytu sprzętu w serwisie. Klient może ubiegać się o wymianę sprzętu na wolny od wad, jeżeli punkt serwisowy stwierdzi na piśmie, że usunięcie wady jest niemożliwe. Aby produkt mógł być przyjęty przez serwis, użytkownik jest zobowiązany dostarczyć oryginały: dowodu zakupu (paragon lub faktura), podbitej i wypełnionej karty gwarancyjnej, certyfikatu instalacji (niektóre produkty).

### Gwarancja zostaje unieważniona, jeśli:

■ usterka była widoczna w chwili zakupu, ■ usterka wynika ze zwykłego użytkowania i zużycia, ■ produkt został uszkodzony z powodu złej instalacji, niezastosowania się do instrukcji obsługi lub użytkowania niezgodnego z przeznaczeniem, ■ produkt został uszkodzony z powodu złej konserwacji lub jej braku, ■ produkt został uszkodzony z powodu zanieczyszczenia, wypadku lub okoliczności o charakterze sił wyższych (powódź, pożar, wojny, zamieszki itp.) ■ produkt wykazuje złe działanie z powodu słabego sygnału, zakłóceń elektromagnetycznych itp., ■ produkt został uszkodzony mechanicznie (np. wylamany przycisk, upadek, itp.), ■ produkt został uszkodzony z powodu użycia niewłaściwych materiałów eksploatacyjnych, nośników, akcesoriów, baterii, akumulatorów itp. lub z powodu użytkowania w złych warunkach (temperatura, wilgotność, wstrząsy itp.), ■ produkt był naprawiany lub modyfikowany przez nieautoryzowany personel, ■ użytkownik nie jest w stanie udowodnić zakupu (nieczytelny paragon lub faktura), ■ dane na przedstawionych dokumentach są inne niż na urzędzeniu, ■ produkt nie może być zidentyfikowany ze względu na uszkodzenie numeru seryjnego lub plomby gwarancyjnej.

Uab „Senuku Prekybos  
Centras“ Garantinis Servisas  
Jonavos G. 62, Lt-44192,  
Kaunas, Lithuania  
Tel.: +370 37 212 146  
Tex.: +370 37 212 165  
garrem@senukai.lt  
www.senukai.lt

Fast Poland, Sp. z o.o.  
Sokołowska 10  
PL 05-090 Puchały  
Poland  
Tel.: +48 500 116 777  
Fax: +48 22 869 96 13  
fastpoland@fastpoland.pl  
www.fastpoland.pl

