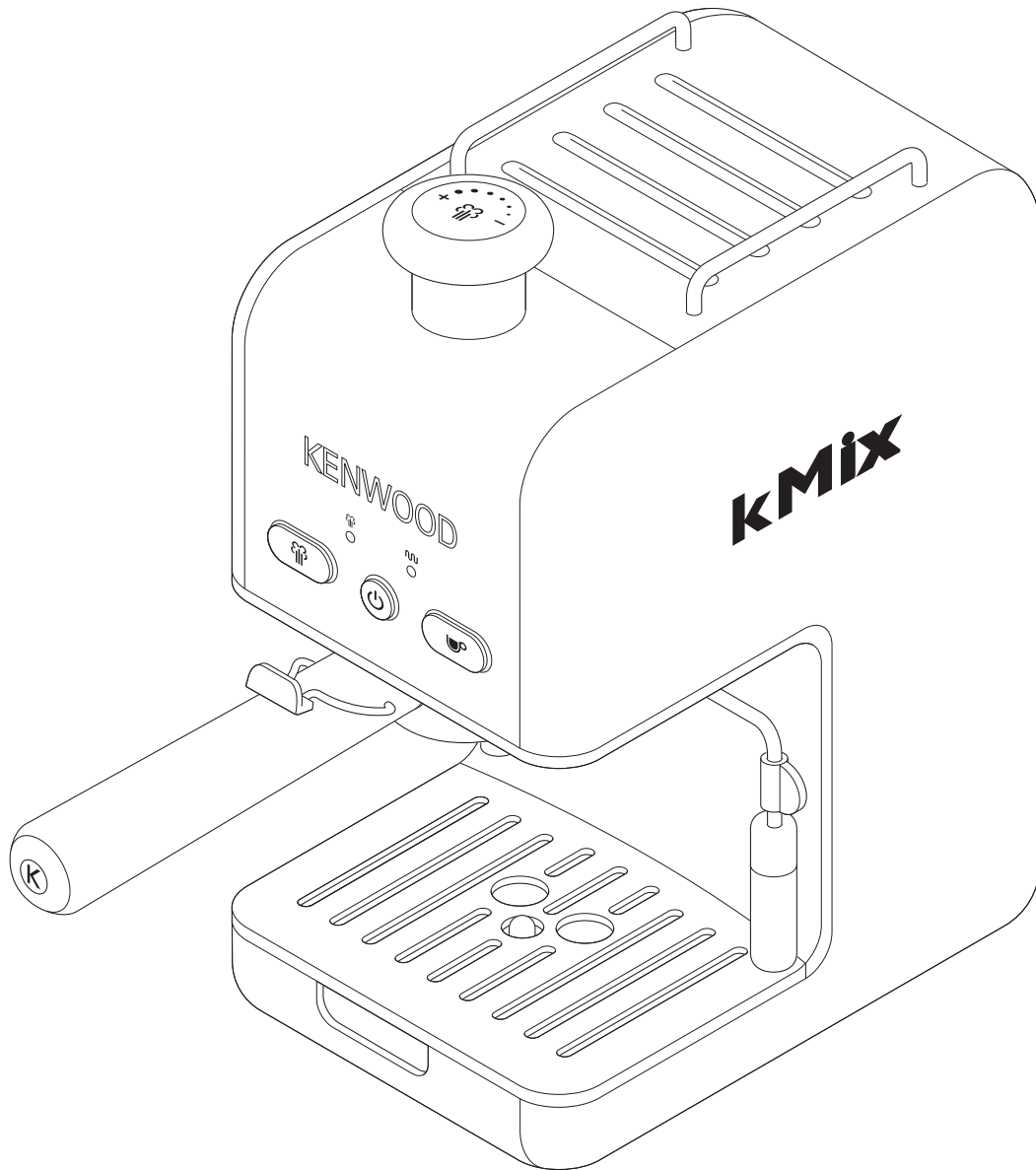
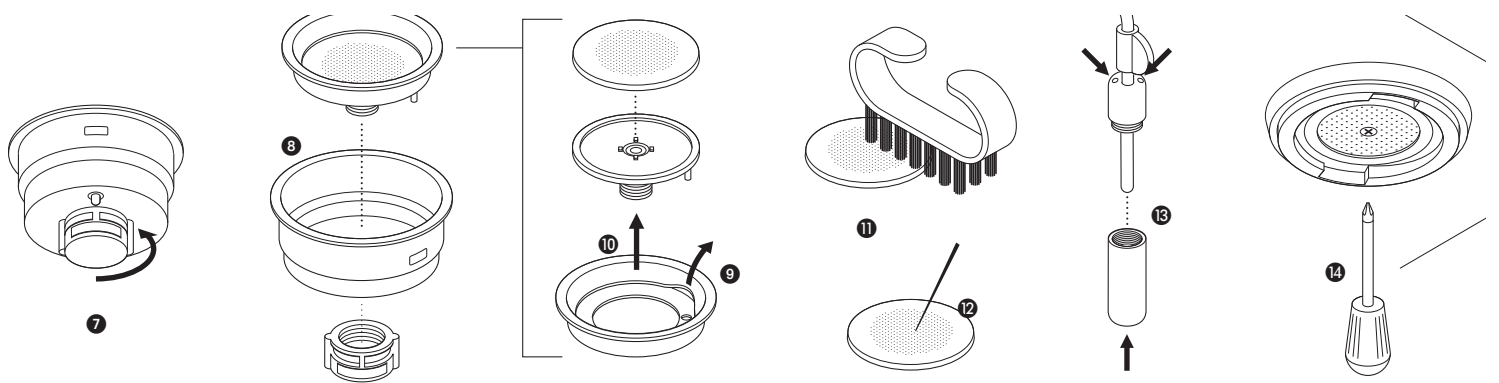
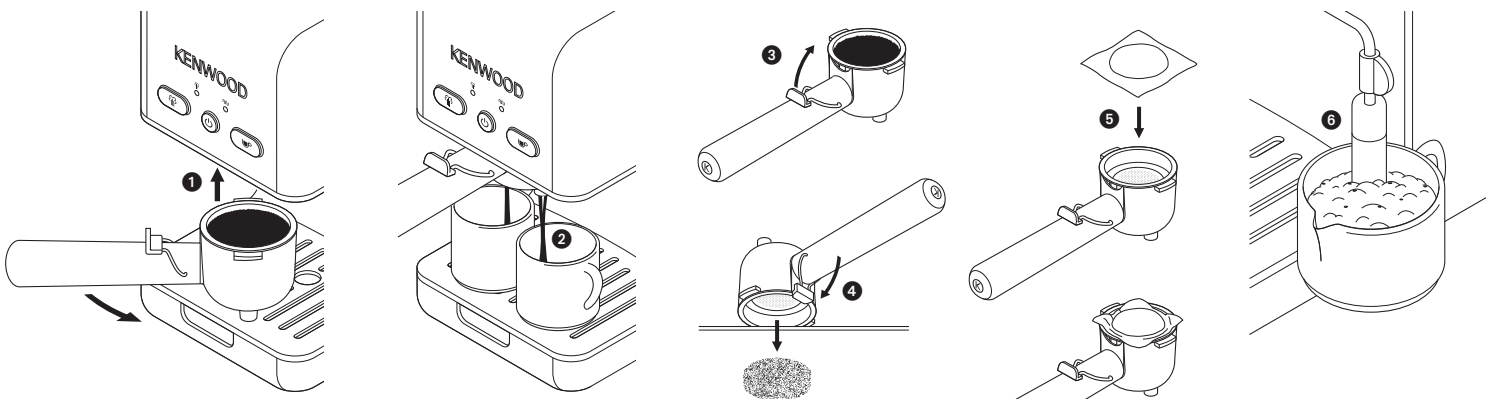
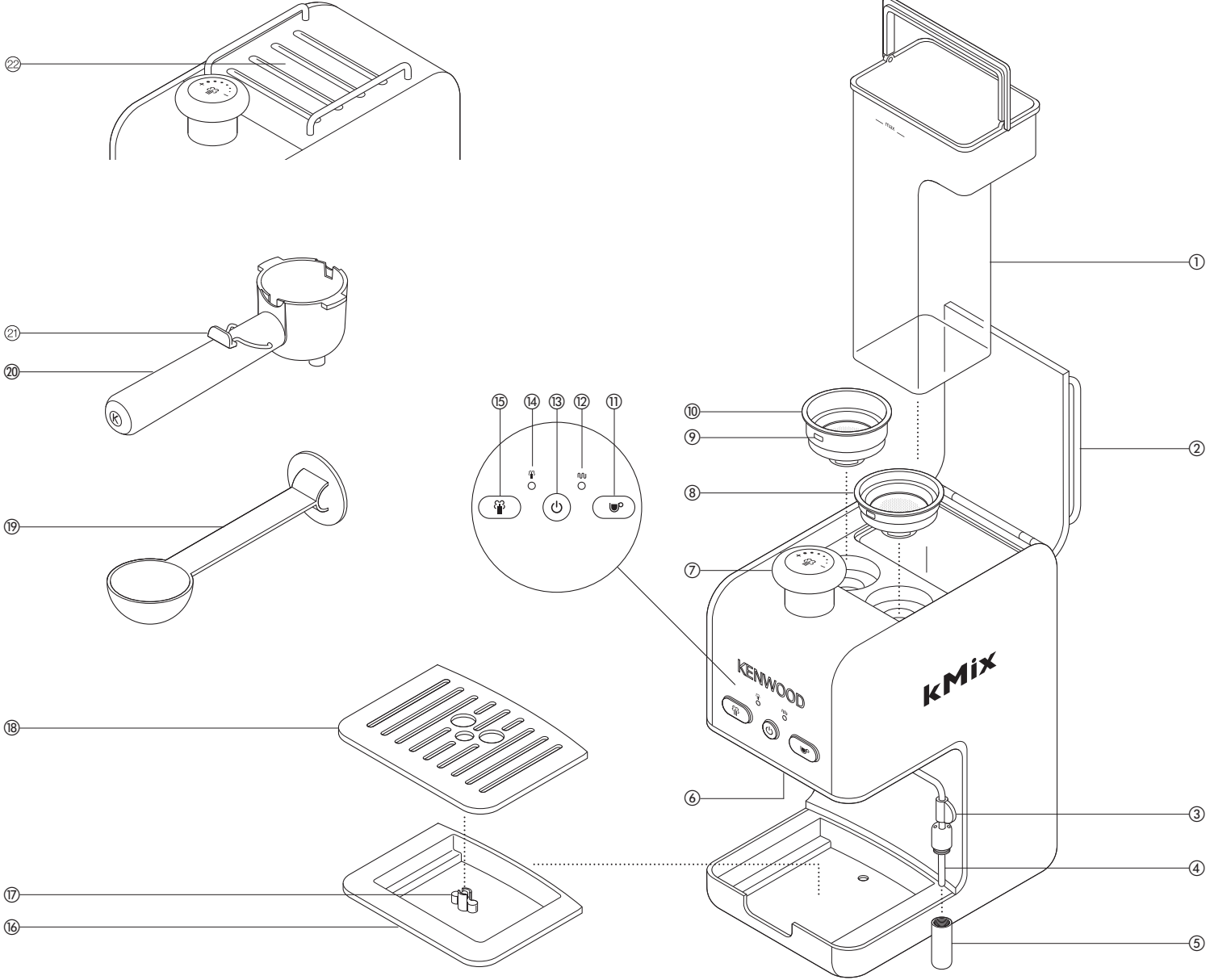


KENWOOD



ES020 series

English	2 - 5
Nederlands	6 - 9
Français	10 - 13
Deutsch	14 - 17
Italiano	18 - 21
Português	22 - 25
Español	26 - 29
Dansk	30 - 33
Svenska	34 - 37
Norsk	38 - 41
Suomi	42 - 45
Türkçe	46 - 49
Česky	50 - 53
Magyar	54 - 57
Polski	58 - 61
Русский	62 - 66
Ελληνικά	67 - 71
Slovenčina	72 - 75
Українська	76 - 80
عربي	٨٤ - ٨١



before using for the first time

- 1 Read these instructions carefully and retain for future reference.
- 2 Remove all packaging and any labels.
- 3 Wash the parts: see 'cleaning'.
- 4 Flush the machine through with clean water: see 'before making coffee for the first time'.

safety

- Never remove the filter holder whilst coffee is brewing or steam is being produced - steam could shoot out and burn you.
- Don't get burnt by:
 - hot parts, including the steam nozzle, filter holder and coffee outlet.
 - steam coming out of the steam nozzle or coffee from the coffee outlet.
- Keep children away from the machine. And never let the cord hang down where a child could grab it.
- Never use a damaged machine. Get it checked or repaired: see 'service and customer care'.
- Never put the machine in water or let the cord or plug get wet - you could get an electric shock.
- Unplug:
 - before filling with water
 - before cleaning
 - after use.
- Never leave the machine on unattended.
- Don't let the cord touch hot parts.
- This appliance is not intended for use by persons (including children) with reduced physical, sensory or mental capabilities, or lack of experience and knowledge, unless they have been given supervision or instruction concerning use of the appliance by a person responsible for their safety.
- Children should be supervised to ensure that they do not play with the appliance.
- Only use the appliance for its intended domestic use. Kenwood will not accept any liability if the appliance is subject to improper use, or failure to comply with these instructions.

important

- Never use without water - the pump will burn out.
- Keep the machine above 0°C - otherwise any water in the machine will freeze and cause damage.
- Never use without the drip tray and cup stand.

before plugging in

- Make sure your electricity supply is the same as the one shown on the underside of your machine.
- This appliance conforms to EC directive 2004/108/EC on Electromagnetic Compatibility and EC regulation no. 1935/2004 of 27/10/2004 on materials intended for contact with food.

know your Kenwood espresso machine

- ① removable water tank
- ② lid
- ③ finger grip for steam nozzle
- ④ steam tube
- ⑤ steam nozzle
- ⑥ coffee outlet
- ⑦ variable steam knob
- ⑧ small filter for 1 cup dispensing or coffee pod
- ⑨ tab
- ⑩ large filter for 2 cup dispensing only
- ⑪ coffee button
- ⑫ coffee ready indicator light
- ⑬ on/off button
- ⑭ steam ready indicator light
- ⑮ steam button
- ⑯ drip tray
- ⑰ float
- ⑱ cup stand
- ⑲ measuring spoon/coffee tamper
- ⑳ filter holder
- ㉑ filter emptying lever
- ㉒ cup storage tray

before making coffee for the first time

- 1 Make sure the variable steam knob is closed by turning clockwise (don't overtighten).
- 2 Lift the lid, then lift out the tank and fill with cold water. Never fill above the "MAX" level marked. Alternatively lift the lid and fill the tank whilst in position.
 - We recommend using filtered water as it produces better coffee and reduces limescale. Never use fizzy water or any other liquid.
- 3 Re fit the tank. Make sure that it is correctly located and apply light pressure if necessary to ensure the valve at the bottom of the tank connects with the bottom of the machine.
Important
Never operate the machine without water in the tank. Top up as soon as the level gets low.
- 4 Close the lid.
- 5 Hold the finger grip and swing out the steam nozzle and put a jug underneath.
- 6 Attach the filter holder to the machine by positioning it under the coffee outlet and turning to the right ①. Place a suitably sized container underneath.
- 7 Connect to the power supply then press the on/off button and it will glow orange. At the same time the green coffee ready indicator light will flash. Wait until the green light stops flashing.
- 8 Open the variable steam knob by turning anti-clockwise and press the coffee button and allow one cup of water to flow out of the steam nozzle. Close the variable steam knob and allow one cup of water to flow out of the coffee outlet into the container.
- 9 Press the coffee button to stop the flow, then press the on/off button to switch off the machine.
- 10 Repeat these steps if you haven't used the coffee maker for a few days.

preheating the coffee machine

To ensure your espresso coffee is dispensed at the right temperature it is necessary to pre-heat the coffee unit.

- 1 Check that the variable steam knob is firmly closed (turn clockwise) and that there is sufficient water to heat 1 or 2 cups as required.
- 2 Fit the desired filter into the filter holder (without coffee and making sure that the tab on the filter fits into the slot on the filter holder). Attach to the machine by positioning it under the coffee outlet and turning to the right ①. Ensure it is firmly located.
- 3 Position a cup under the filter holder. Using the same cup that the coffee will be served in will ensure it is preheated.
- 4 Press the on/off button and it will glow orange. At the same time the green coffee ready indicator light will flash. Wait until the green light stops flashing.
- 5 Press the coffee button and it will glow orange, and hot water will dispense into the cup. When the green coffee ready light starts flashing again, press the coffee button to stop the flow.
- 6 Remove the filter holder and proceed to make coffee using either ground coffee or coffee pods.

to make espresso using ground coffee

- 1 Pre heat the appliance as described on page 2.
- 2 Check that there is water in the tank.
- 3 Select the desired filter.
 - Use the smaller filter for making one cup of coffee (or when using coffee pods) and the larger filter for 2 cups.
- 4 Add the coffee using the measuring spoon provided one level spoon per cup, level the surface then lightly press with the coffee tamper. Wipe off any coffee around the rim.
 - When buying ground coffee make sure it is suitable for espresso machines.
 - Never press the coffee too firmly as it will block the filter and the coffee will come out very slowly and the crema will be of a dark colour. However, if it is pressed too lightly, the coffee will come out too fast and the crema will be a light colour and the coffee will taste watery.
- 5 Fit the filter holder. Make sure that the tab on the filter fits into the slot on the filter holder.
- 6 Fit the filter holder into the coffee outlet. Turn it to the right to lock into position ①.
 - Put one or two cups underneath ②. If making one cup of coffee, centre your cup in the middle.
- 7 Press the on/off button and wait until the green coffee ready indicator light stops flashing, then press the coffee button.

- 8 When you've enough coffee – not too much otherwise it will be too weak, press the coffee button. If you're not making more coffee press the on/off button to switch off the machine. The chart below gives a guide on how long to operate the coffee button to produce drinks of different volumes.

quantity	filter size	approximate time to dispense
1 Espresso (40ml)	1 cup	12 sec
2 x Espresso (40ml each)	2 cup	25 sec
1 large coffee (125ml)	1 cup	32 sec
2 large coffees (125ml each)	2 cup	65 sec

- 9 Wait for 30 seconds then remove the filter holder by turning to the left.
- There may be water on the filter when you remove it: this is normal
- 10 To remove the used coffee from the filter holder, flip the lever on the handle so that the end locates over the filter ③. Hold the lever in position then tip the unit upside down and tap out the grounds ④.

Important

Never remove the filter holder while the coffee or steam function is selected – steam could shoot out and burn you.

to make coffee using filter pods

Important

If the filter for one cup is used after ground coffee has been used, it is necessary to clear any ground coffee from around the coffee outlet. This is necessary to avoid water leakages from the filter holder and to ensure optimum performance. Take care as the area may be hot.

- 1 Pre heat the machine as described on page 2, fitting the small filter in the filter holder.
 - 2 After pre-heating remove the filter holder and place the coffee pod into the filter making sure the pod is facing the correct way ⑤.
 - 3 Press the pod towards the lower part of the filter, making sure that the paper flaps adhere to the inner part of the filter.
 - 4 The pod needs to be well centred and placed firmly in the filter.
 - 5 Fit the filter holder into the coffee outlet and turn to the right until it locks into position ①.
 - 6 Follow the points 'to make espresso'.
- Note – use pods that conform to the ESE standard.
- Always follow the instructions on the package of the pods for the correct positioning of the pods in the filter



to froth milk for cappuccino

Prepare the espresso as previously described

hint - to prepare more than one cappuccino, first make all the coffees then at the end prepare the frothed milk for all the cappuccinos.

- 1 Make sure there is water in the tank.
 - 2 Ensure that the variable steam control is closed.
 - 3 Press the on/off button and it will glow orange.
 - 4 Press the steam button and the red steam indicator light will flash.
 - 5 Wait until the red light glows continuously indicating that the unit has reached the correct temperature.
 - 6 Part fill a jug with milk – the milk may increase up to three times in volume so select a suitably sized jug. As a guide use 40-60 ml milk per cappuccino.
- Cold semi skimmed milk gives the best results.
- 7 Hold the jug in one hand and place the nozzle in the milk, ensure that the milk does not go above the join in the nozzle.
 - 8 Open the variable steam knob by turning in an anti clockwise direction. The milk will begin to increase in volume and become frothy ⑥. Adjust the height of the jug ensuring that the tip of the nozzle remains below the surface of the milk. After 20-25 seconds the milk will be steamed and frothy.
 - 9 Stop the steam by turning the variable steam knob in a clockwise direction.
- Never allow the milk to boil as this will spoil the flavour of the coffee.

10 Press the steam button.

11 Pour the frothed milk into the cups containing the espresso coffee. For coffee latte hold back the froth and just add the steamed milk.

Important – Never operate the steam nozzle for longer than 2 minutes at one time, and always clean the nozzle after use.

12 Press the on/off button to switch off.

to make espresso after frothing milk

Important

Never remove the filter holder from its housing immediately after using the steam function.

If you're making espresso after frothing milk, you need to get rid of any over-hot water that could burn your coffee. Here's how:-

- 1 Switch off the steam button.
- 2 Ensure there is water in the tank and place a jug beneath the steam nozzle.
- 3 Open the variable steam knob by turning anti-clockwise and press the coffee button (water/steam will come out of the steam nozzle). Wait until the green light flashes then close the variable steam knob and switch off the coffee button
- 4 Wait for additional time until the green light glows continuously. When this happens the machine is ready to make coffee.

cleaning

steam nozzle

Prior to cleaning the steam nozzle allow some hot water to flow out of the nozzle to assist with the cleaning operation. This should be carried out immediately after having dispensed steam. Here's how:-

- 1 Ensure there is water in the tank and that there is a jug under the steam nozzle.
- 2 Switch off the steam button.
- 3 Open the steam knob by turning in an anti-clockwise direction.
- 4 Press the coffee button and operate for approximately 10 seconds to allow hot water to pass through the nozzle.
- 5 Switch off the coffee button then close the variable steam knob by turning clockwise.
- 6 Press the on/off button to switch off the machine.

- Before further cleaning, unplug and let everything cool.
- Never immerse the appliance in water.
- Don't wash parts in the dishwasher.

steam nozzle

- 1 Unscrew the nozzle by turning clockwise, then wash thoroughly. Check that the 3 holes indicated are not blocked ⑬. If necessary unblock them with a pin.
- 2 Clean the steam tube. Make sure the end is not blocked.
- 3 Screw the nozzle back onto the delivery tube.

tank, lid, filter holder

- Wash, rinse and allow to dry.

filter (one and two cup version)

- Wash and dry after every use.
- After approximately every 100 uses dismantle and clean more thoroughly as described below.
- Remove the cap located on the underside of the filter by turning in the direction indicated ⑦. Remove the crema device by pushing up from the underside ⑧. Separate the components of the crema device by pulling the gasket to the side ⑨ and removing the plastic disc and metal filter ⑩. Rinse parts thoroughly. Clean the metal filter in hot water using a brush ⑪. Make sure the holes in the metal filter are not blocked. If necessary clean with a pin ⑫. Dry the parts then reassemble, making sure the parts are correctly assembled.

cup stand, drip tray

- Empty the drip tray regularly. You'll know when it is full, the red float in the middle of the drip tray will rise and become visible in the hole on the cup stand.

1 Wash then dry.

coffee outlet

- After every use check that this area is clean and free from any coffee grounds. Wipe clean and if necessary carry out the following procedure to clean more thoroughly. Failure to keep this area clean will affect the quality of the coffee produced and may damage the unit.

- 1 Using a screwdriver ⑭, unscrew the screw that holds the coffee outlet in place (do not remove the inner cover).
- 2 Clean the area with a damp cloth.
- 3 Clean the removed outlet thoroughly in hot soapy water using a brush. Rinse thoroughly. Make sure the holes are not blocked, if necessary use a pin to clean.
- 4 Reverse the above procedure to re fit to the outlet. Failure to clean the coffee outlet and the filters as described invalidates the guarantee.

descaling

It is advisable to descale the coffee maker after 200 cups of coffee have been made.

- 1 We recommend purchasing a product specifically for descaling espresso coffee machines. Use the quantities recommended by the proprietary descaler but do not exceed the 1 litre tank capacity.
- 2 Make sure the filter holder is not attached and position a bowl under the coffee outlet and a jug under the steam nozzle.
- 3 Press the on/off button then press the coffee button and open the variable steam knob by turning anti-clockwise and allow 1 cup of water to flow out of the steam nozzle. Close the variable steam knob and allow 1 cup of water to flow out of the coffee outlet. Do not wait for the green light to stop flashing.
- 4 Switch off and unplug the coffee maker and leave the machine to stand for 15 minutes.
- 5 Repeat step 3 and allow all the descaler to flow out of the machine. Switch off.
- 6 Thoroughly rinse the tank and fill with fresh water.
- 7 Follow step 3 allowing the water to flush out of the hot water nozzle and also the coffee outlet. Repeat with a fresh tank of water. This will remove all traces of the descaler.

Repairs caused by malfunctioning due to a build up of limescale in the product are not covered by the guarantee if the descaling process is not carried out regularly.

service and customer care

- If the cord is damaged it must, for safety reasons, be replaced by KENWOOD or an authorised KENWOOD repairer.

If you need help with:

- using your appliance or
- servicing or repairs
Contact the shop where you bought your appliance.
- Designed and engineered by Kenwood in the UK.
- Made in China.



IMPORTANT INFORMATION FOR CORRECT DISPOSAL OF THE PRODUCT IN ACCORDANCE WITH EC DIRECTIVE 2002/96/EC.

At the end of its working life, the product must not be disposed of as urban waste. It must be taken to a special local authority differentiated waste collection centre or to a dealer providing this service.

Disposing of a household appliance separately avoids possible negative consequences for the environment and health deriving from inappropriate disposal and enables the constituent materials to be recovered to obtain significant savings in energy and resources. As a reminder of the need to dispose of household appliances separately, the product is marked with a crossed-out wheeled dustbin.

trouble shooting guide

problem	possible cause	solution
Espresso coffee doesn't come out of the machine.	<ul style="list-style-type: none"> • The coffee is damp and/or pressed too firmly into the filter. • The holes in the filter holder spouts are blocked. • The coffee outlet is blocked. • The tank is incorrectly fitted and the valve at the bottom is not open. • The holes in the crema device are blocked. 	<ul style="list-style-type: none"> • Check that you are using ground coffee suitable for espresso makers. Press the coffee more lightly in the filter and change the grind if necessary. • Clean the holes in the spouts • Clean as indicated in the cleaning section. • Press the tank lightly so as to open the valve at the bottom • Dismantle the crema device 6 and clean parts thoroughly. See Cleaning (filter) section.
Espresso coffee drips from the edges of the filter holder, instead of from the holes.	<ul style="list-style-type: none"> • The filter holder is incorrectly attached to the machine. • The gasket of the espresso boiler has lost its elasticity. • The holes in the filter holder spouts are blocked. • Too much coffee has been placed in the coffee filter. 	<ul style="list-style-type: none"> • Refit the filter holder, making sure it is located correctly and turn to the right. • Get the gasket replaced. Refer to Service and Customer Care. • Clean the holes in the spouts. • Decrease the quantity of coffee.
The espresso coffee is cold	<ul style="list-style-type: none"> • Pre heating the machine was not carried out. • The green coffee ready indicator light was not glowing when the coffee button was pressed. 	<ul style="list-style-type: none"> • Follow instructions on pre heating the coffee machine. • Wait until the green coffee indicator light stops flashing before pressing the coffee button.
The pump is too noisy.	<ul style="list-style-type: none"> • The water tank is empty. • The tank is incorrectly fitted and the valve in the bottom is not open. 	<ul style="list-style-type: none"> • Fill the tank with water. • Press the tank lightly so as to open the valve at the bottom.
The coffee cream is light in colour and is dispensed too quickly.	<ul style="list-style-type: none"> • The ground coffee has not been pressed enough. • Insufficient ground coffee has been used. • Too much coffee has been dispensed. • The coffee used is unsuitable. 	<ul style="list-style-type: none"> • Press the coffee more firmly. • Increase the quantity of coffee in the filter. • Decrease the quantity of coffee dispensed into the cup(s). • Change the type of coffee used.
The coffee cream is dark in colour and is dispensed too slowly.	<ul style="list-style-type: none"> • The ground coffee has been pressed too firmly. • The coffee outlet is blocked. • Too much coffee has been used. • The coffee is too finely ground. • The coffee used is unsuitable. 	<ul style="list-style-type: none"> • Press the coffee less. • Clean as indicated in the cleaning section. • Decrease the quantity. • Change the coffee and buy one suitable for espresso machines. • Change the coffee and buy one suitable for espresso machines.
The coffee has an acidic taste.	<ul style="list-style-type: none"> • The machine was not rinsed thoroughly after descaling. 	<ul style="list-style-type: none"> • Flush the machine with several changes of clean water and rinse all components, see cleaning.
The milk does not froth when making a cappuccino	<ul style="list-style-type: none"> • The milk is not cold enough. • The cappuccino maker is dirty. 	<ul style="list-style-type: none"> • Always use milk from the refrigerator. • Try milk with a different fat content. • Clean the steam delivery tube as well as the nozzle. See Cleaning.

Nederlands

Vouw vóór het lezen a.u.b. de voorpagina met illustraties uit

vóór het eerste gebruik

- 1 Lees deze instructies zorgvuldig door en bewaar ze voor toekomstig gebruik.
- 2 Verwijder alle verpakking en labels.
- 3 Was de onderdelen: zie Reiniging.
- 4 Spoel het apparaat door met schoon water: zie Voordat u de eerste keer koffie zet.

veiligheid

- Verwijder de filterhouder nooit terwijl er koffie wordt gezet of stoom wordt geproduceerd – de stoom kan met kracht worden uitgestoten en u branden.
- Pas op dat u zich niet brandt aan:
 - hete onderdelen, zoals het stoompijpje, de filterhouder en de koffieuitloop.
 - de stoom die uit het stoompijpje komt of de koffie die uit de koffieuitloop stroomt.
- Houd kinderen uit de buurt van het apparaat. Laat het snoer nooit naar beneden hangen waar een kind erbij kan.
- Gebruik nooit een beschadigd apparaat. Laat het nakijken of repareren: zie Onderhoud en klantenservice.
- Plaats het apparaat nooit in water en laat het snoer of de stekker niet nat worden; u kunt hierdoor een elektrische schok oplopen.
- Trek de stekker uit het stopcontact:
 - voor u het apparaat met water vult
 - vóór de reiniging
 - na het gebruik.
- Laat het apparaat nooit onbeheerd aanstaan.
- Laat het snoer niet in aanraking komen met hete onderdelen.
- Dit apparaat is niet bedoeld voor gebruik door personen (inclusief kinderen) met verminderde lichamelijke, zintuiglijke of geestelijke vermogens of gebrek aan ervaring en kennis, tenzij ze toezicht of instructies over het gebruik van het apparaat hebben gekregen van de persoon die verantwoordelijk is voor hun veiligheid.
- Op kinderen moet toezicht gehouden worden om er zeker van te zijn dat ze niet met het apparaat spelen.
- Gebruik het apparaat alleen voor het huishoudelijke gebruik waarvoor het is bedoeld. Kenwood kan niet aansprakelijk worden gesteld in het geval dat het apparaat niet correct is gebruikt, of waar deze instructies niet worden opgevolgd.

belangrijk

- Gebruik het apparaat nooit zonder water – de pomp brandt dan door.
- Bewaar het apparaat boven 0 °C – anders kan het water in het apparaat bevriezen en schade veroorzaken.
- Gebruik het apparaat nooit onder lekbak en bekerhouder.

vóór u de stekker in het stopcontact steekt

- Zorg dat de elektriciteitsvoorziening dezelfde spanning heeft als op de onderkant van het apparaat wordt aangegeven.
- Dit apparaat voldoet aan de EC-richtlijn 2004/108/EC betreffende de elektromagnetische compatibiliteit en EC-bepaling 1935/2004 van 27/10/2004 betreffende materialen die bestemd zijn voor contact met voedsel.

ken uw Kenwood-espressomachine

- ① verwijderbaar waterreservoir
- ② deksel
- ③ vingergreep voor stoompijpje
- ④ stoomtuit
- ⑤ stoompijpje
- ⑥ koffieuitloop
- ⑦ variabele stoomknop
- ⑧ klein filter voor 1 kopje of koffiepads
- ⑨ lipje
- ⑩ groot filter alleen voor 2 kopjes
- ⑪ koffieknop
- ⑫ indicatielampje Koffie klaar
- ⑬ aan/uitknop
- ⑭ indicatielampje Stoom klaar
- ⑮ stoomknop
- ⑯ lekbak
- ⑰ vlotter
- ⑱ bekerhouder
- ⑲ maatlepel/koffiestamper
- ⑳ filterhouder
- ㉑ hendel om filter te legen
- ㉒ opbergplaats voor kopjes

voordat u de eerste keer koffie zet

- 1 Draai de variabele stoomknop naar rechts om hem dicht te draaien (niet te vast aandraaien).
 - 2 Til het deksel op, til het reservoir uit het apparaat en vul het met koud water. Vul het reservoir nooit hoger dan het aangegeven MAX-peil. U kunt ook het deksel optillen en het reservoir vullen terwijl dit zich in het koffieapparaat bevindt.
 - We raden u aan gefilterd water te gebruiken, omdat hierdoor betere koffie wordt gezet en er minder kalkaanslag ontstaat. Gebruik nooit koolzuurhoudend water of een andere vloeistof.
 - 3 Zet het reservoir weer op zijn plaats. Zorg dat het reservoir correct geplaatst is; oefen zo nodig lichte druk uit om er zeker van te zijn dat de klep onderin het reservoir goed op de onderkant van het apparaat aansluit.
- ### **Belangrijk**
- Zet het apparaat nooit aan zonder dat er water in het reservoir zit. Vul het reservoir bij als het waterpeil laag is.**
- 4 Sluit het deksel.
 - 5 Houd het apparaat bij de vingergreep, draai het stoompijpje naar buiten en plaats er een kan onder.
 - 6 Bevestig de filterhouder aan het apparaat door hem onder de koffieuitloop te plaatsen en naar rechts te draaien ①. Zet er een container met geschikte afmetingen onder.
 - 7 Steek de stekker van het apparaat in het stopcontact; druk op de aan/uitknop die nu oranje wordt. Op hetzelfde moment gaat het groene indicatorlampje Koffie klaar knipperen. Wacht tot het groene lampje niet langer knippert.
 - 8 Open de variabele stoomknop door naar links te draaien, druk op de koffieknop en laat één kop water uit het stoompijpje stromen. Sluit de variabele stoomknop en laat één kop water uit de koffieuitloop in de container stromen.
 - 9 Druk op de koffieknop om de stroom te onderbreken; druk vervolgens op de aan/uitknop om het apparaat uit te schakelen.
 - 10 Herhaal deze stappen als u het apparaat enkele dagen niet hebt gebruikt.

het koffieapparaat voorverwarmen

Om ervoor te zorgen dat uw espresso de juiste temperatuur heeft, moet het koffieapparaat worden voorverwarmd.

- 1 Controleer of de variabele stoomknop goed gesloten is (naar rechts draaien) en of er voldoende is om 1 of 2 kopjes te verwarmen.
- 2 Zet het gewenste filter in de filterhouder (zonder koffie en met het lipje op het filter in de sleuf op de filterhouder). Bevestig de filterhouder aan het apparaat door hem onder de koffieuitloop te plaatsen en naar rechts te draaien ①. Zorg dat hij goed op zijn plaats zit.
- 3 Zet een kopje onder de filterhouder. Al u hetzelfde kopje gebruikt als waarin de koffie geserveerd wordt, weet u zeker dat het is voorverwarmd.
- 4 Druk op de aan/uitknop; deze gaat oranje branden. Op hetzelfde moment gaat het groene indicatorlampje Koffie klaar knipperen. Wacht tot het groene lampje niet langer knippert.
- 5 Druk op de koffieknop; deze gaat oranje branden en het kopje wordt gevuld met heet water. Als het groene lampje Koffie klaar weer begint te knipperen, drukt u op de koffieknop om de uitstroom te onderbreken.
- 6 Verwijder de filterhouder en zet verder koffie met gemalen koffie of koffiepads.

espresso maken met gemalen koffie

- 1 Verwarm het apparaat voor zoals op pagina 6 wordt.
- 2 Controleer of het reservoir water bevat.
- 3 Selecteer het gewenste filter.
 - Gebruik het kleine filter om één kop koffie te maken (of bij gebruik van koffiepads) en het grote filter voor 2 kopjes.
- 4 Gebruik de meegeleverde maatlepel om één afgestreeken lepel koffie toe te voegen; stamp de koffie vervolgens licht aan met de koffiestamper. Veeg eventuele koffie van de rand weg.
 - Als u gemalen koffie koopt, moet u zorgen dat deze geschikt is voor espressomachines.
 - Druk de koffie nooit te stevig aan, omdat hierdoor het filter verstopt raakt en de koffie erg langzaam doorloopt; de crema heeft dan een donkere kleur. Als de koffie echter te licht wordt aangedrukt, loopt de koffie te snel door en heeft de crema een lichte kleur; de smaak van de koffie is dan te slap.
- 5 Zet de filterhouder op het apparaat. Zorg dat het lipje op het filter in de sleuf op de filterhouder past.
- 6 Zet de filterhouder in de koffieuitloop. Draai hem naar rechts om hem op de plaats te vergrendelen ①.
 - Zet één of twee kopjes onder het apparaat ②. Als u één kop koffie maakt, plaatst u het kopje in het midden.

- Druk op de aan/uitknop en wacht tot het groene lampje Koffie klaar niet langer knippert; druk vervolgens op de koffieknop.
- Als u genoeg koffie hebt – niet te veel omdat de koffie anders te slap is - drukt u op de koffieknop. Als u niet meer koffie maakt, drukt u op de aan/uitknop om de machine uit te schakelen. Onderstaande tabel is een richtlijn voor hoe lang u de koffieknop moet bedienen om dranken met verschillend volume te maken.

hoeveelheid	filtermaat	benodigde tijd (bij benadering)
1 espresso (40 ml)	1 kopje	12 sec
2 espresso's (elk 40 ml)	2 kopjes	25 sec
1 grote koppen koffie (125 ml)	1 kop	32 sec
2 grote koppen koffie (125 ml)	2 koppen	65 sec

- Wacht 30 seconden en verwijder vervolgens de filterhouder door naar links te draaien.
 - Het filter kan bij verwijdering water bevatten: dit is normaal
- Om de gebruikte koffie van de filterhouder te verwijderen, draait u de hendel op de handgreep zo dat het uiteinde over het filter valt ③. Houd de hendel in die positie, keer het apparaat ondersteboven en tik het koffiedik eruit ④.

Belangrijk

Verwijder de filterhouder nooit terwijl er koffie wordt gezet of stoom wordt geproduceerd – de stoom kan met kracht worden uitgestoten en u branden.

koffie zetten met filterpads

Belangrijk

Als het filter voor één kopje wordt gebruikt nadat gemalen koffie is gebruikt, moet alle gemalen koffie die zich om de koffieuitlaat bevindt, worden verwijderd. Dit is nodig om te voorkomen dat water lekt uit de filterhouder en te zorgen dat het apparaat optimaal werkt. Wees voorzichtig: het oppervlak kan heet zijn.

- Verwarm het apparaat voor zoals wordt beschreven op pagina 6 en zet het kleine filter in de filterhouder.
- Verwijder de filterhouder na voorverwarming en plaats de koffiepad in het filter; let er daarbij op dat de pad op de juiste wijze georiënteerd is ⑤.
- Druk de pad onderin het filter en zorg dat de papieren flappen tegen de binnenkant van het filter kleven.
- De pad moet goed in het midden liggen en stevig in het filter zijn geplaatst.
- Zet de filterhouder in de koffieuitlaat en draai hem naar rechts tot hij op de plaats is vergrendeld ①.
- Volg de punten voor het maken van espresso.
NB: Gebruik pads die voldoen aan de ESE-normen.
- Volg altijd de instructies op de verpakking van de pads met betrekking tot de juiste positie van de pads in het filter.



schuimende melk maken voor cappuccino

Maak de espresso zoals eerder is beschreven

tip – als u meer dan één cappuccino wilt maken, zet u eerst alle koffie en bereidt op het laatst de schuimende melk voor alle cappuccino's.

- Controleer of het reservoir water bevat.
- Controleer of de variabele stoomknop gesloten is.
- Druk op de aan/uitknop; deze gaat oranje branden.
- Druk op de stoomknop; het rode stoomlampje gaat knipperen.
- Wacht tot het rode lampje continu brandt; dit geeft aan dat het apparaat de juiste temperatuur heeft bereikt.
- Vul een kan gedeeltelijk met melk; kies een geschikte kan, waarbij u er rekening mee houdt dat de melk tot driemaal in volume kan toenemen. Gebruik als richtlijn 40-60 ml melk per cappuccino.
 - Koude halfvolle melk leidt tot het beste resultaat.
- Houd de kan in de ene hand en houd het pipje in de melk; zorg dat de melk niet hoger komt dan de verbindingsnaad in het pipje.
- Open de variabele stoomknop door naar links te draaien. De melk begint in volume toe te nemen en begint er schuimig uit te zien ⑥. Pas de hoogte van de kan aan zodat de tip van het pipje onder het melkoppervlak blijft. Na 20-25 seconden is de melk gestoomd en schuimig.
- Stop de stoom door de variabele stoomknop naar rechts te draaien.
 - Laat de melk nooit koken; dit bederft het koffiearoma.
- Druk op de stoomknop.
- Giet de schuimige melk in de kopjes met de espresso. Voor een latte houdt u het schuim weg en voegt alleen de gestoomde melk toe.

Belangrijk – Gebruik het stoompipje nooit langer dan 2 minuten achtereen en reinig het pipje na elk gebruik.

- Druk op de aan/uitknop om het apparaat uit te schakelen.

espresso maken na het maken van schuimende melk

Belangrijk

Verwijder de filterhouder nooit meteen nadat de stoomfunctie is gebruikt.

Als u espresso koffie zet nadat u de melk hebt opgeschuimd, moet u eerst het hete water kwijtraken waarmee u de koffie zou kunnen verbranden. Ga als volgt te werk:-

- Schakel de stoomknop uit.
- Controleer of het reservoir water bevat en zet een kan onder het stoompipje.
- Open de variabele stoomknop door naar links te draaien en druk op de koffieknop (er komt water/stoom uit het stoompipje). Wacht tot het groene lampje knippert; sluit de variabele stoomknop en schakel de koffieknop uit.
- Wacht nog iets langer tot het groene lampje continu brandt. Op dat moment is het apparaat klaar om koffie te zetten.

reiniging

stoompipje

Voordat u het stoompipje schoonmaakt, laat u wat heet water uit het pipje lopen als hulp bij de reinigingsprocedure. U doet dit onmiddellijk nadat u de stoom hebt gebruikt. Ga als volgt te werk:-

- Controleer of het reservoir water bevat en zet een kan onder het stoompipje.
- Schakel de stoomknop uit.
- Open de stoomknop door naar links te draaien.
- Druk op de koffieknop en houdt deze ongeveer 10 seconden ingedrukt om het hete water door het pipje te laten lopen.
- Schakel de koffieknop uit en sluit vervolgens de variabele stoomknop door naar rechts te draaien.
- Druk op de aan/uitknop om het apparaat uit te schakelen.

- Haal voor de reiniging de stekker uit het stopcontact en laat het apparaat afkoelen.
- Dompel het apparaat nooit in water onder.
- Was de onderdelen niet in de afwasmachine.

stoompipje

- Schroef het pipje los door het naar rechts te draaien en was het goed af. Controleer of de 3 aangeduide gaten niet verstopt zijn ⑬. U kunt ze zo nodig met een speld weer openen.
- Reinig de stoomtuit. Zorg dat het uiteinde niet verstopt is.
- Schroef het pipje weer op de toevoerslang.

reservoir, deksel, filterhouder

- Wassen, spoelen en laten drogen

filter (voor één en twee kopjes)

- Na elk gebruik wassen en drogen.
- Nadat deze onderdelen ongeveer 100 keer zijn gebruikt, haalt u ze uit elkaar en reinigt ze zorgvuldiger, zoals hieronder wordt beschreven.
- Verwijder de dop die zich onderaan het filter bevindt door in de aangegeven richting te draaien ⑦. Verwijder het crema-element door van onderen omhoog te duwen ⑧. Haal de onderdelen van het crema-element uit elkaar door de pakking opzij ⑨ te trekken en de plastic schijf en het metalen filter te verwijderen ⑩. Spoelde onderdelen zorgvuldig af. Reinig het metalen filter in heet water met een borstel ⑪. Controleer of de gaten in het metalen filter niet verstopt zijn. U kunt ze zo nodig met een speld weer openen ⑫. Droog de onderdelen en zet ze vervolgens weer in elkaar; zorg dat de onderdelen op de juiste manier in elkaar worden gezet.

bekerhouder, lekbak

- Leeg de lekbak regelmatig. Als de rode vlotter in het midden van de bekerhouder omhoog komt en zichtbaar wordt in de bekerhouder, weet u dat de lekbak vol is.

- Wassen en afdrogen.

koffieuitloop

- Controleer na elk gebruik of dit gebied schoon is en geen koffiedik bevat. Veeg de uitloop zo nodig af en volg de volgende procedure voor een grondiger reiniging. Als dit gebied niet schoon wordt gehouden, wordt de kwaliteit van de koffie hierdoor beïnvloed en kan het apparaat beschadigd raken.
- Gebruik een schroevendraaier ⑭ om de schroef die de koffieuitlaat op zijn plaats houdt los te draaien (verwijder het binnenste deel niet).

- 2 Reinig het gebied met een vochtige doek.
- 3 Reinig de verwijderde uitlaat zorgvuldig in heet zeepsop met een borstel. Spoel de uitlaat grondig. Zorg dat de gaten niet verstopt zijn; gebruik zo nodig een speld om ze te reinigen.
- 4 Voer bovenstaande procedure in omgekeerde volgorde uit om de uitlaat weer te bevestigen.
Als de koffieuitlaat en de filters niet worden gereinigd zoals wordt beschreven, komt de garantie te vervallen.

ontkalken

We raden u aan het koffiezetapparaat na 200 kopjes koffie te ontkalken.

- 1 We raden u aan een product aan te schaffen dat speciaal dient om espressomachines te ontkalken. Gebruik de door de fabrikant aanbevolen hoeveelheid, maar gebruik niet meer dan 1 liter.
- 2 Zorg dat de filterhouder niet is bevestigd en zet een kom onder de koffieuitlaat en een kan onder het stoompijpje.
- 3 Druk op de aan/uitknop en druk vervolgens op de koffieknop; open de variabele stoomknop door naar links te draaien en laat 1 kop water uit het stoompijpje lopen. Sluit de variabele stoomknop en laat één kop water uit de koffieuitlaat lopen. Wacht niet tot het groen lampje ophoudt te knipperen.
- 4 Schakel het apparaat uit en haal de stekker uit het stopcontact; laat het apparaat 15 minuten staan.
- 5 Herhaal stap 3 en laat het ontkalkingsmiddel helemaal uit het apparaat lopen. Schakel het apparaat uit.
- 6 Spoel het reservoir en vul het met vers water.
- 7 Volg stap 3 en laat het water uit het pijpje voor heet water en de koffieuitlaat lopen. Herhaal deze procedure met een reservoir met vers water. Hierdoor worden alle restanten van het ontkalkingsmiddel verwijderd.

Reparaties veroorzaakt door storing als gevolg van kalkaanslag in het product vallen niet onder de garantie als het apparaat niet regelmatig ontkalkt is.

onderhoud en klantenservice

- Als het snoer beschadigd is, moet het om veiligheidsredenen door KENWOOD of een door KENWOOD geautoriseerd reparatiebedrijf vervangen worden.

Als u hulp nodig hebt met:


- het gebruik van uw apparaat of
 - onderhoud en reparatie
- kunt u contact opnemen met de winkel waar u het apparaat gekocht hebt.
- Ontworpen en ontwikkeld door Kenwood in het VK.
 - Vervaardigd in China.



BELANGRIJKE INFORMATIE VOOR DE CORRECTE VERWERKING VAN HET PRODUCT IN OVEREENSTEMMING MET DE EUROPESE RICHTLIJN 2002/96/EC

Aan het einde van de levensduur van het product mag het niet samen met het gewone huishoudelijke afval worden verwerkt. Het moet naar een speciaal centrum voor gescheiden afvalinzameling van de gemeente worden gebracht, of naar een verkooppunt dat deze service verschaft. Het apart verwerken van een huishoudelijk apparaat voorkomt mogelijke gevolgen voor het milieu en de gezondheid die door een ongeschikte verwerking ontstaan en zorgt ervoor dat de materialen waaruit het apparaat bestaat, teruggewonnen kunnen worden om een aanmerkelijke besparing van energie en grondstoffen te verkrijgen. Om op de verplichting tot gescheiden verwerking van elektrische huishoudelijke apparatuur te wijzen, is op het product het symbool van een doorgekruiste vuilnisbak aangebracht.

probleemoplossingsgids

probleem	mogelijke oorzaak	oplossing
Er komt geen espresso koffie uit het apparaat.	<ul style="list-style-type: none"> • De koffie is vochtig en/of te hard in het filter aangedrukt. • De gaatjes in de filterhouder zijn verstopt. • De koffieuitloop is verstopt. • Het reservoir is niet goed geïnstalleerd en de klep onderin het apparaat is niet open. • De gaatjes in het crema-element zijn verstopt. 	<ul style="list-style-type: none"> • Controleer of u gemalen koffie gebruikt die geschikt is voor espressomachines. Druk de koffie zachter aan en zorg zo nodig dat de koffie anders wordt gemalen. • Maak de gaatjes in de tuiten schoon. • Maak het element schoon zoals staat aangegeven in de paragraaf Reinigen. • Druk het reservoir iets naar beneden, zodat de klep aan de onderkant open gaat. • Haal het crema-element uit elkaar  en maak alle onderdelen goed schoon. Zie de paragraaf Reiniging (filter).
De espresso koffie stroomt over de rand van de filterhouder en niet door de gaatjes.	<ul style="list-style-type: none"> • De filterhouder is niet goed aan het apparaat bevestigd. • De pakking van het espressoapparaat heeft geen rek meer. • De gaatjes in de filterhouder zijn verstopt. • Het koffiefilter bevat te veel koffie. 	<ul style="list-style-type: none"> • Installeer de filterhouder opnieuw. Zorg dat hij goed is geplaatst en draai hem naar rechts. • Vervang de pakking. Zie Onderhoud en klantenservice. • Maak de gaatjes in de tuiten schoon. • Verminder de hoeveelheid koffie.
De espresso is koud	<ul style="list-style-type: none"> • U hebt het apparaat niet voorverwarmd. • Het groene lampje Koffie klaar brandde niet toen op de koffieknop werd gedrukt. 	<ul style="list-style-type: none"> • Volg de aanwijzingen voor het koffieapparaat. • Wacht totdat het groene lampje Koffie klaar niet langer knippert voordat u de koffieknop drukt.
De pomp maakt te veel lawaai.	<ul style="list-style-type: none"> • Het waterreservoir is leeg. • Het reservoir met water is niet goed geïnstalleerd en de klep aan de onderkant is niet open. 	<ul style="list-style-type: none"> • Vul het reservoir met water. • Vul het reservoir met water. Druk het reservoir iets naar beneden, zodat de klep aan de onderkant open gaat.
De koffiocrema is licht van kleur en komt te snel uit het apparaat.	<ul style="list-style-type: none"> • De gemalen koffie is niet goed aangedrukt. • Er is onvoldoende gemalen koffie gebruikt. • Er is te veel koffie uitgegoten. • De gebruikte koffie is niet geschikt voor het apparaat. 	<ul style="list-style-type: none"> • Druk de koffie harder aan. • Doe meer koffie in het filter. • Giet minder koffie in het/de kopje(s). • Gebruik een andere soort koffie.
De koffiocrema is donker van kleur en komt te langzaam uit het apparaat.	<ul style="list-style-type: none"> • De gemalen koffie is te hard aangedrukt. • De koffieuitloop is verstopt. • Er is te veel koffie gebruikt. • De koffie is te fijn gemalen. • De gebruikte koffie is niet geschikt voor het apparaat. 	<ul style="list-style-type: none"> • Druk de koffie minder hard aan. • Maak het element schoon zoals staat aangegeven in de paragraaf Reinigen. • Gebruik minder koffie. • Koop koffie die geschikt is voor espressomachines. • Koop koffie die geschikt is voor espressomachines.
De koffie smaakt zuur.	<ul style="list-style-type: none"> • Het apparaat is na het ontkalken niet goed uitgespoeld. 	<ul style="list-style-type: none"> • Spoel het apparaat enkele malen met schoon water en spoel alle onderdelen goed af; zie Reiniging.
De melk schuimt niet wanneer ik cappuccino maak.	<ul style="list-style-type: none"> • De melk is niet koud genoeg. • De cappuccinomaker is vuil. 	<ul style="list-style-type: none"> • Gebruik altijd melk uit de koelkast. • Probeer melk met een ander vetgehalte. • Maak de toevoerslang en het stoompijpje schoon. Zie Reiniging.

Français

Veillez déplier les illustrations de la première page

avant d'utiliser votre appareil pour la première fois

- 1 Lisez et conservez soigneusement ces instructions pour pouvoir vous y référer ultérieurement.
- 2 Retirez tous les éléments d'emballage et les étiquettes.
- 3 Lavez les différents éléments : voir "nettoyage"
- 4 Rincez l'appareil à l'eau claire : voir "le premier café"

sécurité

- Ne retirez jamais le porte-filtre pendant le filtrage du café ou lorsque de la vapeur se produit – celle-ci risque de s'échapper et de vous brûler.
- Attention de ne pas vous brûler avec :
 - les éléments chauds, y compris la buse vapeur, le porte-filtre et la tête de percolation.
 - la vapeur sortant de la buse vapeur ou le café sortant de la tête de percolation.
- Tenir la machine hors de portée des enfants. Ne laissez jamais pendre le cordon de manière à ce qu'un enfant puisse le saisir
- N'utilisez jamais un appareil endommagé – faites-le vérifier ou réparer (voir "service clientèle").
- Ne plongez jamais l'appareil dans l'eau, ne mouillez jamais le cordon ni la prise : il y a risque d'électrocution.
- Débranchez l'appareil :
 - avant de le remplir d'eau
 - avant le nettoyage
 - après l'emploi
- Ne laissez jamais la machine sans surveillance lorsqu'elle est en marche.
- Veillez à ce que le cordon n'entre pas en contact avec des parties chaudes.
- Cet appareil n'est pas destiné à être utilisé par des personnes (y compris des enfants) dont les capacités physiques, sensorielles ou mentales sont diminuées, ou qui ne disposent pas des connaissances ou de l'expérience nécessaires, à moins qu'elles n'aient été formées et encadrées pour l'utilisation de cet appareil par une personne responsable de leur sécurité.
- Les enfants doivent être surveillés afin qu'ils ne puissent pas jouer avec cet appareil.
- N'employez l'appareil qu'à la fin domestique prévue. Kenwood décline toute responsabilité dans les cas où l'appareil est utilisé incorrectement ou que les présentes instructions ne sont pas respectées.

important

- N'utilisez jamais l'appareil sans eau – la pompe grillerait.
- Conservez l'appareil à une température supérieure à 0°C – s'il reste de l'eau, elle risque de geler et d'endommager la machine.
- N'utilisez jamais l'appareil sans le bac collecteur et la grille porte-tasses.

avant de brancher l'appareil

- Assurez-vous que la tension d'alimentation correspond à celle qui est indiquée sur la base de l'appareil.
- Cet appareil est conforme à la directive 2004/108/CE de la CE sur la compatibilité électromagnétique, et au règlement 1935/2004 de la CE du 27/10/2004 sur les matériaux destinés au contact alimentaire.

description de votre machine à espresso Kenwood

- ① réservoir d'eau amovible
- ② couvercle
- ③ emplacement pour le doigt sur la buse vapeur
- ④ tube de vapeur
- ⑤ buse de vapeur
- ⑥ tête de percolation
- ⑦ molette vapeur
- ⑧ petit filtre pour une tasse ou une capsule de café
- ⑨ marque
- ⑩ grand filtre pour deux tasses de café seulement
- ⑪ bouton café
- ⑫ voyant indiquant quand le café est prêt
- ⑬ bouton marche/arrêt
- ⑭ voyant indiquant quand la vapeur est prête
- ⑮ bouton vapeur
- ⑯ bac collecteur
- ⑰ flotteur
- ⑱ porte-tasses
- ⑲ cuillère pour mesurer/pour tasser le café
- ⑳ porte-filtre
- ㉑ levier de vidage du filtre
- ㉒ Plateau pour stocker des tasses

avant le premier café

- 1 Vérifiez que la molette vapeur est fermée en la tournant dans le sens des aiguilles d'une montre (ne pas forcer).
 - 2 Ouvrez le couvercle puis soulevez le réservoir et remplissez-le d'eau froide. Ne dépassez jamais le niveau MAX indiqué. Vous pouvez également remplir le réservoir sans le retirer de la cafetière.
 - Il est recommandé d'employer de l'eau filtrée pour optimiser le goût du café et minimiser l'entartrage. N'employez jamais d'eau gazeuse ou tout autre liquide.
 - 3 Remettez le réservoir en place. Vérifiez qu'il est correctement positionné et, au besoin, appuyez légèrement pour vous assurer que la valve au fond du réservoir est bien connectée au fond de la machine.
- ### Important
- Ne faites jamais fonctionner l'appareil lorsque le réservoir est vide. Rajoutez de l'eau dès que le niveau est bas.**
- 4 Fermez le couvercle.
 - 5 Faites pivoter la buse vapeur en la tenant par l'emplacement prévu pour le doigt et placez un pot en dessous.
 - 6 Montez le porte-filtre sur l'appareil en le positionnant sous la tête de percolation puis en tournant le manche vers la droite ❶. Placez un récipient de taille adéquate en dessous.
 - 7 Branchez l'appareil puis appuyez sur le bouton marche/arrêt. Le témoin orange s'illuminera. En même temps, le voyant vert servant à indiquer que le café est prêt se mettra à clignoter. Attendez jusqu'à ce que le voyant vert cesse de clignoter.
 - 8 Tournez le bouton vapeur dans le sens inverse des aiguilles d'une montre et appuyez sur le bouton café et laissez une tasse d'eau couler de la buse vapeur. Fermez le bouton vapeur et laissez couler une tasse d'eau de la tête de percolation.
 - 9 Appuyez sur le bouton café pour que l'eau cesse de couler, puis éteignez l'appareil en appuyant sur le bouton marche/arrêt.
 - 10 Répétez le processus si la machine n'a pas servi pendant plusieurs jours.

préchauffage de la machine à café

Pour que le café espresso soit préparé à la bonne température, il est essentiel de préchauffer la machine.

- 1 Vérifiez que la molette vapeur est bien fermée (tournez dans le sens des aiguilles d'une montre) et qu'il y a suffisamment d'eau dans le réservoir pour 1 ou 2 tasses.
- 2 Placez le filtre voulu dans le porte-filtre (sans café et en vous assurant que l'encoche sur le filtre s'insère bien dans la fente du porte-filtre). Fixez celui-ci à la machine en le positionnant sous la tête de percolation, puis en tournant le manche vers la droite ❶. Vérifiez qu'il est bien enclenché.
- 3 Placez une tasse sous le porte-filtre. Si vous utilisez la même tasse pour servir le café, elle sera préchauffée.
- 4 Appuyez sur le bouton marche/arrêt et le témoin orange s'illuminera. En même temps, le voyant vert servant à indiquer que le café est prêt se mettra à clignoter. Attendez jusqu'à ce que le voyant vert cesse de clignoter.
- 5 Appuyez sur le bouton café qui s'illuminera en orange et l'eau chaude coulera dans la tasse. Quand le voyant vert se remettra à clignoter, appuyez sur le bouton café pour interrompre le flot.
- 6 Retirez le porte-filtre et passez ensuite à la préparation du café en utilisant soit du café moulu soit une capsule.

pour faire du café espresso avec du café moulu

- 1 Préchauffez l'appareil comme indiqué à la page 10.
- 2 Vérifiez qu'il y a de l'eau dans le réservoir.
- 3 Choisissez le filtre voulu.
 - Utilisez le petit filtre pour une tasse de café (ou avec une capsule) ou le grand filtre pour deux tasses.
- 4 Remplissez le filtre avec la cuillère mesure, une cuillère rase de café par tasse. Nivelez le café et tassez-le légèrement avec le dos de la cuillère. Essayez le bord du filtre.
 - Si vous achetez du café moulu, veillez à ce qu'il convienne aux machines à espresso.
 - Il ne faut pas trop tasser la mouture car le café s'écoulera trop lentement et sa crème sera foncée. Par contre, si la mouture n'est pas assez tassée, le café s'écoulera trop vite, sa crème sera de couleur claire et il aura goût d'eau.
- 5 Installez le porte-filtre. Assurez-vous que l'encoche sur le filtre s'insère bien dans la fente du porte-filtre.
- 6 Fixez le porte-filtre à la tête de percolation, tournez le manche vers la droite pour qu'il soit bien enclenché ❶.

- Placez une ou deux tasses en dessous ②. Si vous ne préparez qu'une tasse de café, placez-la au milieu.
- 7 Appuyez sur le bouton marche/arrêt et attendez jusqu'à ce que le voyant vert cesse de clignoter, puis appuyez sur le bouton café.
 - 8 Lorsque vous avez suffisamment de café – pas trop, sinon il sera trop allongé, appuyez sur le bouton café. Si vous ne faites pas d'autres cafés, mettez le bouton sur la position arrêt pour éteindre l'appareil. Le tableau ci-dessous indique pendant combien de temps appuyer sur le bouton café pour produire des tasses de différents volumes.

quantité	Taille du filtre	Durée approximative
1 Espresso (40 ml)	1 tasse	12 sec
2 x Espresso (40 ml chacun)	2 tasses	25 sec
1 grand café (125 ml)	1 tasse	32 sec
2 grands cafés (125 ml chacun)	2 tasses	65 sec

- 9 Attendez 30 secondes puis retirez le porte-filtre en tournant vers la gauche.
- Il peut y avoir de l'eau sur le filtre quand vous le retirez : c'est normal.
- 10 Pour vider le marc du porte-filtre, basculez le levier situé sur le manche jusqu'à ce que l'extrémité vienne se poser sur le filtre ③. Maintenez le levier dans cette position puis retournez le porte-filtre et tapotez-le pour en vider le contenu ④.

Important

Ne retirez jamais le porte-filtre lorsque la fonction café ou vapeur est sélectionnée – de la vapeur pourrait s'échapper et vous brûler.

pour faire du café avec une capsule

Important

Si le petit porte-filtre doit être utilisé avec une capsule après avoir contenu du café moulu, nettoyez la tête de percolation pour ôter toute trace de marc. Cette opération est nécessaire pour éviter que l'eau ne s'échappe du porte-filtre et pour assurer une performance optimale. Attention, cette partie risque d'être chaude.

- 1 Préchauffez l'appareil comme indiqué à la page 10 et placez le petit filtre dans le porte-filtre.
- 2 Après le préchauffage, placez la dosette de café dans le filtre en veillant à ce qu'elle soit orientée correctement ⑤.
- 3 Poussez la capsule vers le fond du filtre en vérifiant que les bords du papier adhérent bien aux parois intérieures du filtre.
- 4 La capsule doit être bien centrée dans le filtre.
- 5 Placez le porte-filtre sous la tête de percolation et tournez le manche vers la droite jusqu'à ce qu'il s'enclenche en position ①.
- 6 Suivez ensuite les explications "pour faire du café espresso".
Note – utilisez des capsules conformes aux normes E.S.E.
- Suivez toujours les instructions indiquées sur l'emballage des capsules pour bien positionner celles-ci dans le filtre.



pour faire mousser du lait pour le cappuccino

Préparez du café espresso suivant les instructions ci-dessus

astuce – pour préparer plus d'un cappuccino, faites d'abord tous les cafés puis préparez le lait mousseux à la fin pour tous les cappuccinos.

- 1 Vérifiez qu'il y a de l'eau dans le réservoir.
- 2 Assurez-vous que le bouton de contrôle de la vapeur est fermé.
- 3 Appuyez sur le bouton marche/arrêt et le témoin orange s'allumera.
- 4 Appuyez sur le bouton vapeur et le voyant indicateur rouge clignotera.
- 5 Attendez que le voyant rouge s'arrête de clignoter et soit allumer en continu indiquant que l'appareil a atteint la température voulue.
- 6 Mettez du lait dans un pot. Le lait pouvant tripler de volume, choisissez un pot assez grand. Prévoyez environ 40-60 ml de lait par cappuccino.
- Le lait demi-écrémé froid donne les meilleurs résultats.
- 7 Tenez le pot d'une main et placez la buse dans le lait, en vous assurant que celui-ci ne dépasse pas le joint de la buse.
- 8 Tournez la molette vapeur dans le sens inverse des aiguilles d'une montre. Le lait va commencer à monter et à mousser ⑥. Ajustez la hauteur du pot en vous assurant que le bout de la buse reste plongé dans le lait. Au bout de 20-25 secondes, le lait sera devenu chaud et mousseux.
- 9 Arrêtez la vapeur en tournant le bouton vapeur dans le sens des aiguilles d'une montre.
- Ne laissez jamais le lait bouillir, cela altérerait le goût du café.
- 10 Appuyez sur le bouton vapeur.
- 11 Versez le lait mousseux dans les tasses contenant l'espresso. Pour faire un café latte, retenez la mousse et versez juste le lait chaud.

Important – Ne faites jamais fonctionner la buse vapeur plus de deux minutes d'affilée et nettoyez la buse après utilisation.

- 22 Appuyez sur le bouton marche/arrêt pour éteindre l'appareil.

pour faire un espresso après avoir fait mousser du lait

Important

Ne retirez jamais le porte-filtre de l'appareil immédiatement après avoir utilisé la fonction vapeur.

Si vous devez faire un espresso après avoir fait mousser du lait, il faut vous débarrasser de l'eau chaude restante, qui pourrait brûler votre café. Voici comment :

- 1 Eteignez le bouton vapeur.
- 2 Vérifiez qu'il y a de l'eau dans le réservoir et placez un pot sous la buse vapeur.
- 3 Ouvrez la molette vapeur en tournant dans le sens inverse des aiguilles d'une montre et appuyez sur le bouton café (de l'eau et de la vapeur sortiront de la buse). Attendez jusqu'à ce que la lumière verte clignote puis refermez la molette vapeur et éteignez le bouton café.
- 4 Attendez encore un peu jusqu'à ce que le voyant vert cesse de clignoter et reste allumé continuellement. L'appareil est maintenant prêt à faire du café.

nettoyage

buse vapeur

Avant le nettoyage, laissez de l'eau chaude couler par la buse pour aider le nettoyage. Cette opération doit être effectuée immédiatement après avoir produit de la vapeur. Voici comment :

- 1 Vérifiez qu'il y a de l'eau dans le réservoir et placez un récipient sous la buse vapeur.
- 2 Eteignez le bouton vapeur.
- 3 Ouvrez la molette vapeur en tournant dans le sens inverse des aiguilles d'une montre.
- 4 Appuyez sur le bouton café et laissez fonctionner environ 10 secondes pour faire passer de l'eau chaude dans la buse.
- 5 Eteignez le bouton café puis tournez la molette vapeur dans le sens des aiguilles d'une montre.
- 6 Appuyez sur le bouton marche/arrêt pour éteindre l'appareil.

- Avant de nettoyer, débranchez l'appareil et laissez-le refroidir complètement.
- Ne plongez jamais l'appareil dans l'eau.
- Ne mettez aucune pièce au lave-vaisselle.

buse vapeur

- 1 Dévissez la buse en la tournant dans le sens des aiguilles d'une montre puis lavez-la soigneusement. Vérifiez que les trois trous de la buse ne sont pas encrassés ⑬. Au besoin, débouchez-les avec une aiguille.
- 2 Nettoyez le tube d'arrivée vapeur. Vérifiez que le bout n'est pas bouché.
- 3 Revissez la buse sur le tube

réservoir, couvercle, porte-filtre

- Lavez, rincez et laissez sécher.


filtre (petit et grand)

- Lavez et séchez après chaque utilisation.
- Au bout d'une centaine d'utilisations, démontez et lavez les pièces à fond, comme indiqué ci-après.
- Retirez le bouchon situé sur le fond du filtre en le tournant dans la direction indiquée ⑦. Retirez le dispositif pour la crème en le poussant par en dessous ⑧. Pour séparer les éléments de ce dispositif, tirez le joint vers le côté ⑨ et retirez le disque en plastique et le filtre en métal ⑩. Rincez soigneusement ces pièces. Nettoyez le filtre en métal dans de l'eau chaude avec une brosse ⑪. Vérifiez que les trous du filtre en métal ne sont pas bouchés. Au besoin, nettoyez-les avec une épingle ⑫. Essuyez les pièces puis réassemblez-les en veillant à les positionner correctement.

grille porte-tasses, bac collecteur

- Videz régulièrement le bac collecteur. Lorsqu'il est plein, le flotteur rouge qui se trouve au milieu s'élève et devient visible dans le trou central de la grille.
- 1 Lavez le bac, puis séchez-le.

tête de percolation

- Après chaque utilisation, vérifiez que cette zone est propre et essuyez toutes traces de marc. Si nécessaire, effectuez l'opération suivante pour nettoyer en profondeur. Le mauvais nettoyage de cette zone peut affecter la qualité du café et risque d'endommager l'appareil.
- Avec un tournevis , enlevez la vis qui maintient la tête de percolation en place (n'enlevez pas le couvercle intérieur)
 - Nettoyez avec un chiffon humide.
 - Avec une brosse, nettoyez soigneusement la tête de percolation dans de l'eau savonneuse. Rincez bien. Vérifiez que les trous ne sont pas encrassés – au besoin, nettoyez-les avec une épingle.
 - Remontez la tête de percolation.
- La garantie pourrait être annulée si la tête de percolation et les filtres ne sont pas nettoyés comme indiqué.

détartrage

Il est conseillé de détartrer votre machine à café au bout de 200 tasses.

- Nous recommandons l'achat d'un produit spécifiquement conçu pour le détartrage des machines à café espresso. Utilisez les quantités recommandées par le fabricant. Mais n'excédez pas la capacité de 1 litre du réservoir.
- Assurez-vous que le porte-filtre n'est pas fixé et positionnez un bol sous la sortie du café et un pot sous la buse vapeur.
- Appuyez sur le bouton marche/arrêt, puis sur le bouton café et tournez la molette vapeur en tournant dans le sens inverse des aiguilles d'une montre et laissez l'équivalent d'une tasse d'eau couler de la buse vapeur. Fermez la molette vapeur et laissez une tasse d'eau sortir de la tête de percolation. N'attendez pas que le voyant vert cesse de clignoter.
- Eteignez la machine à café et laissez-la reposer 15 minutes.
- Répétez l'étape 3 et laissez le détartrant s'écouler de la machine. Eteindre.
- Rincez soigneusement le réservoir et remplissez-le d'eau fraîche.
- Suivez l'étape 3 et laissez l'eau s'écouler de la buse vapeur et de la tête de percolation. Répétez l'opération avec un autre réservoir d'eau. Ceci permettra d'éliminer toutes les traces de détartrant.

Les réparations suite à un mauvais fonctionnement provoqué par une accumulation de calcaire ne sont pas couvertes par la garantie si le détartrage n'est pas effectué régulièrement.

service après-vente

- Si le cordon est endommagé, il doit être remplacé, pour des raisons de sécurité, par KENWOOD ou par un réparateur agréé KENWOOD.

Si vous avez besoin d'aide concernant :

- l'utilisation de votre appareil
 - l'entretien ou les réparations
- Contactez le magasin où vous avez acheté votre appareil.
- Conçu et développé par Kenwood au Royaume-Uni.
 - Fabriqué en Chine.



AVERTISSEMENTS POUR L'ÉLIMINATION CORRECTE DU PRODUIT AUX TERMES DE LA DIRECTIVE EUROPÉENNE 2002/96/EC.

Au terme de son utilisation, le produit ne doit pas être éliminé avec les déchets urbains.

Le produit doit être remis à l'un des centres de collecte sélective prévus par l'administration communale ou auprès des revendeurs assurant ce service.

Éliminer séparément un appareil électroménager permet d'éviter les retombées négatives pour l'environnement et la santé dérivant d'une élimination incorrecte, et permet de récupérer les matériaux qui le composent dans le but d'une économie importante en termes d'énergie et de ressources. Pour rappeler l'obligation d'éliminer séparément les appareils électroménagers, le produit porte le symbole d'un caisson à ordures barré.

guide de dépannage

problème	cause possible	solution
Le café ne s'écoule pas.	<ul style="list-style-type: none"> Le café est humide et/ou il est trop tassé dans le filtre. Les trous de l'orifice du filtre sont bouchés. La tête de percolation est encrassée. Le réservoir est mal positionné et la valve du fond n'est pas ouverte. Les trous du dispositif à crème sont bouchés 	<ul style="list-style-type: none"> Vérifier que votre café moulu convient aux machines à espresso. Tasser moins le café dans le filtre et, s'il le faut, changer de mouture. Nettoyer les trous de l'orifice. Nettoyer la tête comme indiqué dans la section "nettoyage". Appuyer légèrement sur le réservoir afin d'ouvrir la valve. Démontez le dispositif pour la crème 3 et nettoyez bien les pièces. Voir la section "nettoyage" (filtre)
Le café s'égoutte sur les côtés et non par les trous.	<ul style="list-style-type: none"> Le porte-filtre est mal fixé à l'appareil. Le joint de l'élément chauffant a perdu son élasticité. Les trous de l'orifice du porte-filtre sont bouchés.. Il y a trop de café dans le filtre. 	<ul style="list-style-type: none"> Remettre le porte-filtre en veillant à ce qu'il soit bien positionné et tourner le manche vers la droite. Remplacer le joint. – voir "entretien et service après-vente". Nettoyer les trous de l'orifice. Mettre moins de café.
Le café est froid	<ul style="list-style-type: none"> La machine n'a pas été préchauffée. Le voyant vert n'était pas allumé quand on a appuyé sur le bouton café. 	<ul style="list-style-type: none"> Suivre les instructions sur le préchauffage de la machine. Attendre que le voyant vert cesse de clignoter avant d'appuyer sur le bouton café.
La pompe est trop bruyante.	<ul style="list-style-type: none"> Le réservoir est vide. Le réservoir est mal positionné et la valve du fond n'est pas ouverte. 	<ul style="list-style-type: none"> Remplir le réservoir d'eau. Appuyer légèrement sur le réservoir afin d'ouvrir la valve.
La crème du café est de couleur claire et le café s'écoule trop vite.	<ul style="list-style-type: none"> Le café moulu n'a pas été suffisamment tassé. Le filtre ne contient pas assez de café. Le café est passé en trop grande quantité. Le café employé ne convient pas. 	<ul style="list-style-type: none"> Tasser un peu plus le café moulu. Augmenter la quantité de café dans le filtre. Diminuer la quantité de café dans la/les tasse(s). Changer de type de café.
La crème du café est foncée et le café s'écoule trop lentement.	<ul style="list-style-type: none"> Le café moulu a été trop tassé. La tête de percolation est bouchée. Le filtre contient trop de café. La mouture est trop fine. Le café employé ne convient pas. 	<ul style="list-style-type: none"> Tasser un peu moins le café moulu. Nettoyer comme indiqué dans la section "nettoyage". Diminuer la quantité de café. Changer de café et acheter un produit adapté aux machines à espresso. Changer de café et acheter un produit adapté aux machines à espresso.
Le café a un goût acide..	<ul style="list-style-type: none"> La machine n'a pas été rincée après le détartrage. 	<ul style="list-style-type: none"> Rincer plusieurs fois la machine en la faisant fonctionner sans café et rincer tous les éléments – voir "nettoyage".
Le lait ne mousse pas assez lors de la préparation d'un cappuccino	<ul style="list-style-type: none"> Le lait n'est pas assez froid. Le dispositif à cappuccino est encrassé. 	<ul style="list-style-type: none"> Toujours employer du lait sortant du réfrigérateur. Essayer du lait contenant plus ou moins de crème. Nettoyer le tube et la buse vapeur – voir "nettoyage".

Deutsch

Bitte die Titelseite mit dem Abbildungen aufklappen.

Vor dem ersten Gebrauch

- 1 Lesen Sie diese Anleitung sorgfältig durch und bewahren Sie diese zur späteren Benutzung auf.
- 2 Entfernen Sie jegliches Verpackungsmaterial und alle Aufkleber.
- 3 Waschen Sie die Teile: siehe „Reinigung“.
- 4 Spülen Sie die Maschine mit sauberem Wasser durch: siehe „Vor der ersten Kaffeezubereitung“.

Sicherheit

- Entfernen Sie den Filterhalter niemals, während der Kaffee gebrüht oder Dampf erzeugt wird – Dampf könnte herausschießen und zu Verbrennungen führen.
- Achten Sie darauf, dass Sie sich an den folgenden Teilen nicht verbrennen:
 - Heiße Teile, einschließlich Dampfdüse, Filterhalter und Kaffeeausguss.
 - Dampf aus der Dampfdüse oder Kaffee aus dem Kaffeeausguss.
- Halten Sie Kinder von dem Gerät fern. Lassen Sie niemals das Kabel so herabhängen, dass ein Kind danach greifen könnte.
- Verwenden Sie das Gerät niemals, wenn es beschädigt ist. Lassen Sie es überprüfen oder reparieren: siehe „Service und Kundendienst“
- Stellen Sie das Gerät niemals in Wasser und achten Sie darauf, dass weder das Kabel noch der Stecker nass werden – es besteht Stromschlaggefahr.
- Ziehen Sie den Stecker:
 - vor dem Einfüllen von Wasser.
 - vor dem Reinigen.
 - nach dem Gebrauch.
- Lassen Sie das Gerät niemals unbeaufsichtigt, während es angeschaltet ist.
- Achten Sie darauf, dass das Kabel nicht mit heißen Teilen in Berührung kommt.
- Dieses Gerät darf weder von physisch noch von geistig behinderten oder in ihrer Bewegung eingeschränkten Personen (einschließlich Kinder) benutzt werden. Auch dürfen Personen die weder Erfahrung noch Kenntnis im Umgang mit dem Gerät haben, dieses erst nach Anweisungen durch eine für ihre Sicherheit zuständige Person in Betrieb nehmen.
- Kinder müssen überwacht werden, damit sie mit dem Gerät nicht spielen.
- Verwenden Sie das Gerät nur für seinen vorgesehenen Zweck im Haushalt. Bei unsachgemäßer Benutzung oder Nichteinhaltung dieser Anweisungen übernimmt Kenwood keinerlei Haftung.

Wichtig

- Verwenden Sie das Gerät niemals ohne Wasser – die Pumpe brennt sonst durch.
- Setzen Sie die Espressomaschine keinen Temperaturen unter 0°C aus – bei kälteren Temperaturen gefriert das Wasser im Gerät und verursacht Schäden.
- Benutzen Sie die Espressomaschine niemals ohne Abtropfblech und Tassen-Abstellfläche.

Vor dem Netzanschluss

- Vergewissern Sie sich, dass Ihre Netzspannung den Angaben auf der Unterseite des Geräts entspricht.
- Das Gerät entspricht der EG-Richtlinie 2004/108/EG und der EG-Verordnung Nr. 1935/2004 vom 27/10/2004 über Materialien und Gegenstände, die dazu bestimmt sind, mit Lebensmitteln in Berührung zu kommen.

Ihre Kenwood Espressomaschine

- ① Abnehmbarer Wassertank
- ② Deckel
- ③ Fingergriff für Dampfdüse
- ④ Dampfrohr
- ⑤ Dampfdüse
- ⑥ Kaffeeausguss
- ⑦ Drehknopf für variablen Dampf
- ⑧ Kleiner Filter für 1 Tasse Kaffee oder Kaffee-Pad
- ⑨ Lasche
- ⑩ Großer Filter für 2 Tassen Kaffee
- ⑪ Kaffee-Taste
- ⑫ Anzeigelampe „Kaffee bereit“
- ⑬ Betriebstaste
- ⑭ Anzeigelampe „Dampf bereit“
- ⑮ Dampf-Taste
- ⑯ Abtropfblech
- ⑰ Schwimmer
- ⑱ Tassen-Abstellfläche
- ⑲ Messlöffel/Kaffeestampfer
- ⑳ Filterhalter
- ㉑ Filter-Entleerungshebel
- ㉒ Tassentablett

Vor der ersten Kaffeezubereitung

- 1 Stellen Sie sicher, dass sich der Drehknopf für variablen Dampf in der ausgeschalteten Position befindet, indem Sie ihn gegen den Uhrzeigersinn drehen (nicht zu stark anziehen).
- 2 Heben Sie den Deckel an, nehmen Sie den Tank heraus und füllen Sie ihn mit kaltem Wasser. Füllen Sie den Tank niemals bis über die MAX-Grenze hinaus. Alternativ können Sie den Deckel heben und den Tank füllen, während dieser im Gerät bleibt.
- Wir empfehlen, gefiltertes Wasser zu verwenden, weil dadurch der Kaffee besser schmeckt und die Kalkbildung verringert wird. Verwenden Sie niemals sprudelndes Wasser oder andere Flüssigkeiten.
- 3 Setzen Sie den Tank wieder ein. Achten Sie darauf, dass er korrekt positioniert ist, und wenden Sie bei Bedarf leichten Druck an, um sicherzustellen, dass das Ventil am Tankboden mit dem Boden der Maschine verbunden ist.
- Wichtig**
Betreiben Sie das Gerät niemals mit leerem Tank. Füllen Sie den Tank auf, sobald der Wasserstand niedrig ist.
- 4 Schließen Sie den Deckel.
- 5 Fassen Sie die Dampfdüse am Fingergriff an, schwingen Sie sie heraus und setzen Sie ein Gefäß darunter.
- 6 Bringen Sie den Filterhalter an der Maschine an, indem Sie ihn unter den Kaffeeausguss stellen und nach rechts drehen ①. Stellen Sie ein Gefäß von geeigneter Größe darunter.
- 7 Schließen Sie das Gerät an die Steckdose an und drücken Sie die Betriebstaste, die daraufhin orange aufleuchtet. Gleichzeitig beginnt die grüne Anzeigelampe „Kaffee bereit“ zu blinken. Warten Sie, bis die grüne Lampe zu blinken aufhört.
- 8 Drehen Sie den Drehknopf für variablen Dampf auf, indem Sie ihn gegen den Uhrzeigersinn bewegen, und drücken Sie die Kaffee-Taste. Lassen Sie eine Tasse Wasser aus der Dampfdüse austreten. Drehen Sie den Drehknopf für variablen Dampf wieder zu und lassen Sie eine Tasse Wasser aus dem Kaffeeausguss in das Gefäß laufen.
- 9 Drücken Sie die Kaffee-Taste, um den Fluss zu unterbrechen. Drücken Sie dann die Betriebstaste, um das Gerät auszuschalten.
- 10 Wiederholen Sie diese Schritte, wenn Sie die Espressomaschine einige Tage nicht benutzt haben.

Vorheizen der Espressomaschine

Um sicherzustellen, dass Ihr Espresso die richtige Temperatur hat, muss das Gerät vorgeheizt werden.

- 1 Vergewissern Sie sich, dass der Drehknopf für variablen Dampf fest geschlossen ist (im Uhrzeigersinn drehen) und dass der Tank genügend Wasser für 1 oder 2 Tassen (je nach Bedarf) enthält.
- 2 Setzen Sie den gewünschten Filter in den Filterhalter (ohne Kaffee). Stellen Sie sicher, dass die Lasche am Filter in den Schlitz im Filterhalter greift. Bringen Sie den Filterhalter an der Maschine an, indem Sie ihn unter den Kaffeeausguss halten und nach rechts drehen ①. Achten Sie darauf, dass er fest sitzt.
- 3 Stellen Sie eine Tasse unter den Filterhalter. Wenn Sie die Tasse verwenden, in der Sie auch den Kaffee servieren, wird sie zugleich vorgewärmt.
- 4 Drücken Sie die Betriebstaste, die daraufhin orange aufleuchtet. Gleichzeitig blinkt die grüne Anzeigelampe „Kaffee bereit“. Warten Sie, bis die grüne Lampe zu blinken aufhört.
- 5 Drücken Sie die Kaffee-Taste. Sie leuchtet orange auf und es fließt heißes Wasser in die Tasse. Wenn die grüne Lampe „Kaffee bereit“ wieder zu blinken beginnt, drücken Sie erneut die Kaffee-Taste, um den Fluss zu unterbrechen.
- 6 Entfernen Sie den Filterhalter. Die Maschine ist jetzt bereit für die Kaffeezubereitung mit gemahlenem Kaffee oder Espresso-Pads.

Zubereitung von Espresso mit gemahlenem Kaffee

- 1 Heizen Sie die Maschine wie auf Seite 14 beschrieben vor.
- 2 Stellen Sie sicher, dass sich Wasser im Tank befindet.
- 3 Wählen Sie den gewünschten Filter.
- Verwenden Sie den kleineren Filter für die Zubereitung einer Tasse Kaffee (oder bei Verwendung von Pads) und den größeren Filter für 14 Tassen.
- 4 Fügen Sie den Kaffee mit dem mitgelieferten Messlöffel hinzu (1 gestrichener Messlöffel pro Tasse). Streichen Sie die Oberfläche glatt und drücken Sie dann mit dem Kaffeestampfer leicht darauf. Wischen Sie Kaffee um den Rand herum ab.
- Achten Sie beim Kauf des Kaffees darauf, dass dieser für Espressomaschinen geeignet ist.

- Drücken Sie den Kaffee niemals zu fest, weil der Espresso dann nur sehr langsam durchläuft und die Crema dunkel wird. Wenn der Kaffee dagegen zu leicht angedrückt wird, läuft der Espresso zu schnell durch, hat eine helle Crema und schmeckt wässrig.
- 5 Setzen Sie den Filter in den Filterhalter ein. Achten Sie darauf, dass die Lasche am Filter in den Schlitz im Filterhalter greift.
 - 6 Bringen Sie den Filterhalter am Kaffeeausguss an. Drehen Sie ihn zum Einrasten nach rechts ①.
 - Stellen Sie ein oder zwei Tassen darunter ②. Wenn Sie nur eine Tasse Kaffee zubereiten, stellen Sie Ihre Tasse in die Mitte.
 - 7 Drücken Sie die Betriebstaste und warten Sie, bis die grüne Lampe „Kaffee bereit“ zu blinken aufhört. Drücken Sie dann die Kaffee-Taste.
 - 8 Sobald Sie genügend Kaffee haben (nicht zu viel durchlaufen lassen, weil er sonst zu schwach schmeckt), drücken Sie erneut die Kaffee-Taste. Wenn Sie keinen weiteren Kaffee zubereiten möchten, drücken Sie die Betriebstaste, um die Maschine auszuschalten. Die folgende Tabelle bietet eine Übersicht dazu, wie lange die Kaffee-Taste für verschiedene Getränke eingeschaltet sein sollte.

Menge	Filtergröße	Ungefähre Zeit
1 Espresso (40 ml)	1 Tasse	12 Sek.
2 x Espresso (je 40 ml)	2 Tassen	25 Sek.
1 großer Kaffee (125 ml)	1 Tasse	32 Sek.
2 große Kaffees (125 ml)	2 Tassen	65 Sek.

- 9 Warten Sie 30 Sekunden und entfernen Sie dann den Filterhalter, indem Sie ihn nach links drehen.
- Auf dem Filter könnte sich noch Wasser befinden, das ist völlig normal.
- 10 Zum Entfernen des Kaffeesatzes aus dem Filterhalter schwenken Sie den Hebel am Griff, so dass das Ende über dem Filter liegt ③. Halten Sie den Hebel in dieser Position, kippen Sie den Filterhalter um und entfernen Sie den Kaffeesatz durch leichtes Klopfen ④.

Wichtig

Entfernen Sie den Filterhalter niemals, während die Kaffee- oder Dampffunktion in Betrieb ist – Dampf könnte herausschießen und zu Verbrennungen führen.

Zubereitung von Kaffee mit Pads

Wichtig

Wenn der Filter für eine Tasse vorher mit gemahlenem Kaffee verwendet wurde, müssen etwaige Rückstände von Kaffeesatz um den Kaffeeausguss herum entfernt werden. Dies ist notwendig, um Austreten von Wasser aus dem Filterhalter zu vermeiden und um die optimale Funktion Ihrer Maschine sicherzustellen. Vorsicht: Der Bereich kann sehr heiß sein.

- 1 Heizen Sie die Espressomaschine wie auf Seite 14 beschrieben vor. Setzen Sie den kleinen Filter in den Filterhalter.
 - 2 Nehmen Sie nach dem Vorheizen den Filterhalter ab und geben Sie den Kaffee-Pad in den Filter. Achten Sie darauf, dass der Pad richtig herum einliegt ⑤.
 - 3 Drücken Sie den Pad in den unteren Teil des Filters und achten Sie darauf, dass die Papierlaschen am Innenbereich des Filters anliegen.
 - 4 Der Pad muss möglichst genau in der Mitte und fest im Filter sitzen.
 - 5 Setzen Sie den Filterhalter in den Kaffeeausguss und drehen Sie ihn nach rechts, bis er einrastet ①.
 - 6 Befolgen Sie die Punkte unter „Zubereitung von Espresso“.
- Hinweis: Verwenden Sie Pads, die der ESE-Norm entsprechen.
- Bitte befolgen Sie immer die Anweisungen auf der Verpackung der Pads, um ihre richtige Positionierung im Filter sicherzustellen.



Aufschäumen von Milch für Cappuccino

Bereiten Sie den Espresso wie oben beschrieben zu.

Tipp: Wenn Sie mehr als eine Tasse Cappuccino servieren, bereiten Sie zuerst alle Kaffees zu und schäumen anschließend die Milch für alle Cappuccinos auf.

- 1 Stellen Sie sicher, dass sich Wasser im Tank befindet.
- 2 Stellen Sie sicher, dass der Drehknopf für variablen Dampf geschlossen ist.
- 3 Drücken Sie die Betriebstaste, die daraufhin orange aufleuchtet.
- 4 Drücken Sie die Dampf-Taste. Die rote Anzeigelampe „Dampf bereit“ beginnt zu blinken.
- 5 Warten Sie, bis die rote Lampe konstant leuchtet. Dies zeigt an, dass das Gerät die richtige Temperatur erreicht hat.
- 6 Füllen Sie ein Gefäß teilweise mit Milch – die Milch kann ihr Volumen verdreifachen; wählen Sie deshalb ein Gefäß von geeigneter Größe. Als ungefähre Richtlinie sollten Sie 40-60 ml Milch pro Cappuccino bemessen.

- Optimale Ergebnisse erhalten Sie mit kalter Halbfettmilch.
- 7 Halten Sie das Gefäß in einer Hand und führen Sie die Düse in die Milch. Achten Sie darauf, dass die Milch nicht höher steigt als die Verbindungsnaht an der Düse.
 - 8 Drehen Sie den Drehknopf für variablen Dampf auf, indem Sie ihn gegen den Uhrzeigersinn bewegen. Die Milch nimmt an Volumen zu und wird schaumig ⑥.
 - Passen Sie die Position des Gefäßes an, so dass die Spitze der Düse stets knapp unter der Oberfläche der Milch bleibt. Nach 20-25 Sekunden ist die Milch erhitzt und schaumig.
 - 9 Stoppen Sie den Dampf, indem Sie den Drehknopf für variablen Dampf im Uhrzeigersinn zudrehen.
 - Lassen Sie die Milch niemals aufkochen, weil dadurch das Kaffeearoma verdrorben wird.
 - 10 Drücken Sie die Dampf-Taste.
 - 11 Gießen Sie die aufgeschäumte Milch in die Tassen mit dem Espresso. Für Kaffee latte halten Sie den Schaum zurück und geben Sie nur die erhitzte Milch zu.
- Wichtig:** Betätigen Sie die Dampfdüse niemals länger als 2 Minuten und reinigen Sie die Düse nach Gebrauch.
- 12 Drücken Sie die Betriebstaste, um die Maschine auszuschalten.

Zubereitung von Espresso nach dem Aufschäumen von Milch

Wichtig

Entfernen Sie den Filterhalter niemals unmittelbar nach Anwendung der Dampffunktion aus seiner Halterung.

Wenn Sie Espresso zubereiten, nachdem Sie die Milch aufgeschäumt haben, müssen Sie übermäßig heißes Wasser abgießen, weil es Ihren Kaffee verbrennen könnte. Gehen Sie dazu wie folgt vor:

- 1 Schalten Sie die Dampf-Taste aus.
- 2 Überprüfen Sie, dass der Tank Wasser enthält, und stellen Sie einen Behälter unter die Dampfdüse.
- 3 Drehen Sie den Drehknopf für variablen Dampf auf, indem Sie ihn gegen den Uhrzeigersinn bewegen, und drücken Sie die Kaffee-Taste (aus der Dampfdüse tritt Wasser/Dampf aus). Warten Sie, bis die grüne Lampe blinkt. Drehen Sie dann den Drehknopf für variablen Dampf wieder zu und schalten Sie die Kaffee-Taste aus.
- 4 Warten Sie, bis die grüne Lampe konstant leuchtet. Dies bedeutet, dass die Maschine nun bereit für die Kaffeezubereitung ist.

Reinigen

Dampfdüse

Lassen Sie vor dem Reinigen etwas heißes Wasser aus der Düse herauslaufen; dies erleichtert das Reinigen. Die Düse sollte sofort nach Gebrauch gereinigt werden. Gehen Sie dazu wie folgt vor:

- 1 Überprüfen Sie, dass der Tank Wasser enthält, und stellen Sie einen Behälter unter die Dampfdüse.
- 2 Schalten Sie die Dampf-Taste aus.
- 3 Drehen Sie den Drehknopf für variablen Dampf auf, indem Sie ihn gegen den Uhrzeigersinn bewegen.
- 4 Drücken Sie dann die Kaffee-Taste und lassen Sie sie ca. 10 Sekunden eingeschaltet, so dass heißes Wasser durch die Düse fließen kann.
- 5 Schalten Sie die Kaffee-Taste aus und drehen Sie den Drehknopf für variablen Dampf wieder zu, indem Sie ihn im Uhrzeigersinn drehen.
- 6 Drücken Sie die Betriebstaste, um die Maschine auszuschalten.

- Ziehen Sie den Stecker und lassen Sie die Maschine abkühlen, bevor Sie fortfahren.
- Tauchen Sie die Maschine niemals in Wasser ein.
- Waschen Sie die Teile nicht in der Geschirrspülmaschine.

Dampfdüse

- 1 Schrauben Sie die Düse im Uhrzeigersinn ab und waschen Sie sie gründlich. Vergewissern Sie sich, dass die drei Löcher (siehe Pfeile) nicht verstopft sind ⑬.
- Reinigen Sie die Löcher bei Bedarf mit einer Nadel.
- 2 Reinigen Sie das Dampfrohr. Überprüfen Sie, dass das Ende nicht verstopft ist
- 3 Schrauben Sie die Düse wieder auf das Dampfrohr.

Tank, Deckel, Filterhalter

- Waschen, spülen und trocknen Sie die Teile.

Filter (Version für eine oder zwei Tassen)

- Waschen und trocknen Sie den Filter nach jedem Gebrauch.
- Nehmen Sie die Filter nach jeweils ca. 100 Anwendungen auseinander und reinigen Sie sie gründlicher, wie im Folgenden beschrieben.
- Entfernen Sie die Kappe auf der Unterseite des Filters, indem Sie sie in die angezeigte Richtung drehen 7. Entfernen Sie die Crema-Vorrichtung, indem Sie sie von unten hochdrücken 8. Zerlegen Sie die Crema-Vorrichtung, indem Sie die Dichtung zur Seite ziehen 9 und die Plastikscheibe und den Metallfilter herausnehmen 10. Spülen Sie die Teile gründlich ab. Reinigen Sie den Metallfilter mit einer Bürste in heißem Wasser 11. Achten Sie darauf, dass die Löcher im Metallfilter nicht verstopft sind. Säubern Sie sie bei Bedarf mit einer Nadel 12. Trocknen Sie die Teile und setzen Sie sie wieder zusammen. Achten Sie darauf, dass Sie die Teile richtig zusammengesetzt haben.

Tassen-Abstellfläche, Abtropfblech

- Entleeren Sie das Abtropfblech regelmäßig. Es ist voll, wenn der rote Schwimmer in der Mitte des Abtropfblechs steigt und im mittleren Loch auf der Tassen-Abstellfläche sichtbar wird.
- 1 Waschen und trocknen Sie die Teile.

Kaffeeausguss

- Überprüfen Sie nach jedem Gebrauch, dass dieser Bereich sauber ist und keine Rückstände von Kaffeesatz daran festkleben. Wischen Sie den Bereich sauber und reinigen Sie ihn bei Bedarf gründlicher, wie im Folgenden beschrieben. Wenn dieser Bereich nicht saubergehalten wird, beeinträchtigt das die Qualität des Kaffees und könnte zudem zu Geräteschäden führen.
- 1 Entfernen Sie mit einem Schraubenzieher 14 die Schraube, die den Kaffeeausguss festhält (entfernen Sie nicht die innere Abdeckung).
 - 2 Reinigen Sie den Bereich mit einem feuchten Tuch.
 - 3 Reinigen Sie den abgenommenen Ausguss gründlich mit heißem Seifenwasser und einer Bürste. Spülen Sie gründlich nach. Achten Sie darauf, dass die Löcher nicht verstopft sind, und reinigen Sie sie bei Bedarf mit einer Nadel.
 - 4 Führen Sie das oben genannte Verfahren in umgekehrter Reihenfolge durch, um den Ausguss wieder anzubringen. Wenn der Kaffeeausguss und die Filter nicht wie beschrieben gereinigt werden, verfällt die Garantie.

Entkalken

Es ist ratsam, die Espressomaschine nach jeweils 200 Tassen Kaffee zu entkalken.

- 1 Wir empfehlen den Kauf eines speziellen Produkts zum Entkalken von Espressomaschinen. Beachten Sie die Mengenangaben des Herstellers, aber überschreiten Sie nicht die Tankkapazität von 1 Liter.
- 2 Vergewissern Sie sich, dass der Filterhalter nicht befestigt ist. Stellen Sie eine Schüssel unter den Kaffeeausguss und ein Gefäß unter die Dampfdüse.
- 3 Drücken Sie die Betriebstaste und dann die Kaffee-Taste. Drehen Sie den Drehknopf für variablen Dampf auf, indem Sie ihn gegen den Uhrzeigersinn bewegen, und lassen Sie eine Tasse Wasser aus der Dampfdüse austreten. Drehen Sie den Drehknopf für variablen Dampf wieder zu und lassen Sie eine Tasse Wasser aus dem Kaffeeausguss fließen. Warten Sie nicht, bis die grüne Lampe aufhört zu blinken.
- 4 Schalten Sie die Maschine aus, ziehen Sie den Stecker und lassen Sie die Maschine 15 Minuten ruhen.
- 5 Wiederholen Sie Schritt 3 und lassen Sie den gesamten Entkalker aus der Maschine laufen. Schalten Sie die Maschine aus.
- 6 Spülen Sie den Tank gründlich aus und füllen Sie ihn mit frischem Wasser.
- 7 Wiederholen Sie Schritt 3. Lassen Sie Wasser durch die Dampfdüse und den Kaffeeausguss fließen. Wiederholen Sie das Verfahren mit einem frischen Tank Wasser. Dadurch werden sämtliche Spuren von Entkalter entfernt.

Reparaturen, die durch Fehlfunktion infolge von Kalkablagerungen im Produkt entstanden sind, fallen nicht unter die Garantie, wenn der Entkalkungsvorgang nicht regelmäßig durchgeführt wird.

Kundendienst und Service

- Ein beschädigtes Netzkabel darf aus Sicherheitsgründen nicht selbst repariert werden, sondern muss von KENWOOD oder einer autorisierten KENWOOD-Kundendienststelle ausgetauscht werden.

Hinweise zur:

- Verwendung Ihres Kenwood Gerätes
- Wartung oder Reparatur
Bitte setzen Sie sich mit Ihrem Händler in Verbindung, bei dem Sie das Gerät gekauft haben.
- Gestaltet und entwickelt von Kenwood GB.
- Hergestellt in China.



WICHTIGER HINWEIS FÜR DIE KORREKTE ENTSORGUNG DES PRODUKTS IN ÜBEREINSTIMMUNG MIT DER EG-RICHTLINIE 2002/96/EG.

Am Ende seiner Nutzungszeit darf das Produkt NICHT mit dem Hausmüll entsorgt werden.

Es muss zu einer örtlichen Sammelstelle für Sondermüll oder zu einem Fachhändler gebracht werden, der einen Rücknahmeservice anbietet.

Die getrennte Entsorgung eines Haushaltsgerätes vermeidet mögliche negative Auswirkungen auf die Umwelt und die menschliche Gesundheit, die durch eine nicht vorschriftsmäßige Entsorgung bedingt sind. Zudem ermöglicht dies die Wiederverwertung der Materialien, aus denen das Gerät hergestellt wurde, was erhebliche Einsparungen an Energie und Rohstoffen mit sich bringt.

Fehlersuche und -behebung

Problem	Mögliche Ursache	Lösung
Aus der Maschine läuft kein Espresso.	<ul style="list-style-type: none"> • Der Kaffee ist feucht und/oder er wurde zu fest in den Filter gedrückt. • Die Löcher in den Ausgüssen des Filterhalters sind verstopft. • Der Kaffeeausguss ist verstopft. • Der Tank ist falsch eingesetzt und das Ventil am Boden ist nicht offen. • Die Löcher in der Crema-Vorrichtung sind verstopft. 	<ul style="list-style-type: none"> • Vergewissern Sie sich, dass der verwendete gemahlene Kaffee für Espressomaschinen geeignet ist. Drücken Sie den Kaffee leichter in den Filter und ändern Sie eventuell den Mahlgrad. • Reinigen Sie die Löcher in den Ausgüssen. • Reinigen Sie die Teile wie im Abschnitt „Reinigen“ angegeben. • Drücken Sie leicht auf den Tank, um das Ventil am Boden zu öffnen. • Nehmen Sie die Crema-Vorrichtung auseinander 8 und reinigen Sie die Teile gründlich. Siehe Abschnitt „Reinigen“ (Filter).
Espresso tropft vom Rand des Filterhalters und nicht aus den Löchern.	<ul style="list-style-type: none"> • Der Filterhalter wurde nicht richtig an der Maschine befestigt. • Die Dichtung des Espresso-Boilers ist spröde geworden. • Die Löcher in den Ausgüssen des Filterhalters sind verstopft. • Es wurde zuviel Kaffee in den Filter gegeben. 	<ul style="list-style-type: none"> • Bringen Sie den Filterhalter wieder an. Achten Sie darauf, dass er richtig sitzt, und drehen Sie ihn nach rechts. • Lassen Sie die Dichtung ersetzen. Siehe „Service und Kundendienst“. • Reinigen Sie die Löcher in den Ausgüssen. • Reduzieren Sie die Kaffeemenge.
Der Espresso ist kalt.	<ul style="list-style-type: none"> • Die Maschine wurde nicht vorgeheizt. • Die grüne Lampe „Kaffee bereit“ hat nicht geleuchtet, als die Kaffee-Taste gedrückt wurde. 	<ul style="list-style-type: none"> • Befolgen Sie die Anweisungen zum Vorheizen der Espressomaschine. • Warten Sie, bis die grüne Lampe aufhört zu blinken, und drücken Sie erst dann die Kaffee-Taste.
Die Pumpe ist zu laut.	<ul style="list-style-type: none"> • Der Wassertank ist leer. • Der Tank ist falsch eingesetzt und das Ventil am Boden ist nicht offen. 	<ul style="list-style-type: none"> • Füllen Sie den Tank mit Wasser. • Drücken Sie leicht auf den Tank, um das Ventil am Boden zu öffnen.
Die Crema hat eine helle Farbe und wird zu schnell ausgegeben.	<ul style="list-style-type: none"> • Der gemahlene Kaffee wurde nicht genügend festgedrückt. • Es wurde zu wenig gemahlener Kaffee verwendet. • Es wurde zu viel Kaffee ausgegeben. • Der verwendete Kaffee ist ungeeignet. 	<ul style="list-style-type: none"> • Drücken Sie den Kaffee besser fest. • Geben Sie mehr Kaffee in den Filter. • Verringern Sie die Kaffeemenge, die in die Tasse(n) ausgegeben wird. • Wechseln Sie die Kaffeesorste.
Die Crema ist dunkel und wird zu langsam ausgegeben.	<ul style="list-style-type: none"> • Der gemahlene Kaffee wurde zu stark festgedrückt. • Der Kaffeeausguss ist verstopft. • Es wurde zu viel Kaffee verwendet. • Der Kaffee ist zu fein gemahlen. • Der verwendete Kaffee ist ungeeignet. 	<ul style="list-style-type: none"> • Drücken Sie den Kaffee weniger fest an. • Reinigen Sie die Teile wie im Abschnitt „Reinigen“ angegeben. • Verringern Sie die Menge. • Verwenden Sie eine Kaffeesorste, die für Espressomaschinen geeignet ist. • Verwenden Sie eine Kaffeesorste, die für Espressomaschinen geeignet ist.
Der Kaffee schmeckt säuerlich.	<ul style="list-style-type: none"> • Die Maschine wurde nach dem Entkalken nicht gründlich gespült. 	<ul style="list-style-type: none"> • Spülen Sie die Maschine mehrmals mit sauberem Wasser durch und spülen Sie alle Teile, siehe „Reinigen“.
Die Milch schäumt nicht, wenn ich einen Cappuccino zubereite.	<ul style="list-style-type: none"> • Die Milch ist nicht kalt genug. • Die Aufschäum-Vorrichtung ist verschmutzt. 	<ul style="list-style-type: none"> • Verwenden Sie stets Milch aus dem Kühlschrank. • Probieren Sie eine Milchsorte mit einem anderen Fettgehalt. • Reinigen Sie das Dampfrohr und die Düse. Siehe „Reinigen“.

Si prega di aprire la prima pagina, al cui interno troverete le illustrazioni

prima di usare l'apparecchio per la prima volta

- 1 Leggere attentamente le presenti istruzioni e conservarle come futuro riferimento.
- 2 Rimuovere la confezione e le etichette.
- 3 Lavare i componenti: vedere la sezione 'pulizia'.
- 4 Lavare l'interno dell'apparecchio versandovi acqua pulita: vedere la sezione su 'come fare il primo caffè'.

sicurezza

- Non togliere mai il portafiltro mentre la macchina sta facendo il caffè, oppure genera vapore – altrimenti il vapore potrebbe fuoriuscire e scottarvi.
- Non scottarsi:
 - toccando le parti calde della macchina, compreso il tubino per il vapore, il portafiltro e l'uscita per il caffè.
 - a contatto con il vapore che fuoriesce dal tubino o con il caffè dall'uscita per il caffè.
- Tenere i bambini lontano da questo apparecchio. Non lasciare mai che un cavo penzoli da una posizione in cui un bambino potrebbe afferrarlo.
- Non usare mai un apparecchio danneggiato: farlo controllare o riparare - vedere la sezione 'manutenzione e assistenza tecnica'.
- Non immergere mai l'apparecchio nell'acqua né lasciare che il cavo o la spina elettrica si bagnino: vi è il rischio di scossa elettrica.
- Togliere la spina dalla presa di corrente:
 - prima di versare acqua nell'apparecchio
 - prima della pulizia
 - dopo l'uso.
- Non lasciare mai l'apparecchio incustodito dopo averlo acceso.
- Non lasciare che il cavo elettrico venga a contatto con le parti calde dell'apparecchio.
- Non consentire l'uso dell'apparecchio a persone (anche bambini) con ridotte capacità psico-fisico-sensoriali, o con esperienze e conoscenze insufficienti, a meno che non siano attentamente sorvegliate e istruite da un responsabile della loro incolumità.
- Sorvegliare i bambini, assicurandosi che non giochino con l'apparecchio.
- Utilizzare l'apparecchio solo per l'uso domestico per cui è stato realizzato. Kenwood non si assumerà alcuna responsabilità se l'apparecchio viene utilizzato in modo improprio o senza seguire le presenti istruzioni.

importante

- Non usare mai questo apparecchio senza acqua, altrimenti la pompa si brucerà.
- Tenere l'apparecchio ad una temperatura sopra 0°C, altrimenti l'acqua al suo interno si congelerà e causerà danni.
- Non usare mai l'apparecchio senza il vassoio di raccolta dell'acqua e l'appoggio per la tazzina.

prima di collegare l'apparecchio alla rete elettrica

- Assicurarsi che la tensione della vostra rete elettrica sia la stessa di quella indicata sulla targhetta sotto l'apparecchio.
- Questo apparecchio è conforme alla direttiva 2004/108/CE sulla Compatibilità Elettromagnetica, ed al regolamento (EC) No. 1935/2004 del 27/10/2004 sui materiali in contatto con alimenti.

per conoscere la macchina Kenwood per espresso

- ① serbatoio dell'acqua estraibile
- ② coperchio
- ③ appoggio delle dita per il tubino per il vapore
- ④ tubo per il vapore
- ⑤ tubino per il vapore
- ⑥ uscita per il caffè
- ⑦ manopola regolabile per il vapore
- ⑧ filtro piccolo per 1 tazzina o confezione caffè monodose
- ⑨ aletta
- ⑩ filtro grande per 2 tazzine
- ⑪ tasto per il caffè
- ⑫ spia indicatrice di caffè pronto
- ⑬ tasto acceso/spento
- ⑭ spia indicatrice di vapore pronto
- ⑮ tasto per vapore
- ⑯ vassoio di raccolta acqua
- ⑰ galleggiante
- ⑱ appoggio per tazzina
- ⑲ misurino/pressacaffè
- ⑳ portafiltro
- ㉑ leva svuotafiltro
- ㉒ vassoio portatazzine

come fare il primo caffè

- 1 Controllare che la manopola regolabile per il vapore sia in posizione chiusa ruotandola in senso orario (senza stringere troppo).
 - 2 Sollevare il coperchio, estrarre il serbatoio e riempirlo d'acqua fredda. Non superare mai il livello MAX indicato. Alternativamente, sollevare il coperchio e riempire il serbatoio senza estrarlo dalla macchina.
 - Si consiglia di usare acqua filtrata, per avere caffè migliore e meno calcare. Non usare mai acqua gassata o altri liquidi.
 - 3 Rimettere il serbatoio nella macchina. Verificare di inserirlo correttamente. Se necessario, fare leggera pressione affinché la valvola sul fondo del serbatoio faccia contatto con il fondo della macchina.
- #### Importante
- Non usare mai la macchina senza acqua nel serbatoio. Aggiungere acqua non appena il livello si abbassa.**
- 4 Chiudere il coperchio.
 - 5 Tenere l'attacco per le dita, spostare il tubino per il vapore verso l'esterno e mettere un bricco sotto il tubino.
 - 6 Inserire il portafiltro sulla macchina mettendolo sotto l'uscita per il caffè e ruotandolo a destra ①. Collocare un recipiente di dimensioni idonee sotto il portafiltro.
 - 7 Collegare la macchina alla rete elettrica e premere il tasto acceso/spento, che ora diventa arancione. Allo stesso tempo, la spia verde di caffè pronto lampeggia. Attendere fino a quando la spia verde smette di lampeggiare.
 - 8 Aprire la manopola regolabile per il vapore ruotandola in senso antiorario, poi premere il tasto per il caffè e lasciare che dal tubino del vapore fuoriesca una tazza di acqua. Chiudere la manopola regolabile per il vapore e lasciare che dall'uscita per il caffè si immetta una tazza di acqua nel recipiente sottostante.
 - 9 Premere il tasto per il caffè per fermare l'acqua, poi premere il tasto acceso/spento per spegnere la macchina.
 - 10 Ripetere la procedura se non si è usata la macchina per qualche giorno.

preriscaldamento della macchina

Per un caffè espresso sempre alla temperatura giusta, è essenziale preriscaldare la macchina.

- 1 Controllare di aver ben chiuso la manopola regolabile per il vapore (ossia di averla girata in senso orario), e inoltre che vi sia acqua sufficiente per riscaldare 1 o 2 tazzine, come desiderato.
- 2 Inserire il filtro desiderato nel portafiltro (senza caffè ed avendo cura che l'aletta sul filtro si inserisca nel portafiltro). Fissarlo sulla macchina mettendolo sotto l'uscita per il caffè e ruotando a destra ①. Verificare di averlo ben fissato.
- 3 Mettere una tazzina sotto il portafiltro. Se si usa la stessa tazzina in cui servirete il caffè, la macchina la preriscalda.
- 4 Premere il tasto acceso/spento, che ora diventa arancione. Allo stesso tempo, la spia verde di caffè pronto lampeggia. Attendere fino a quando la spia verde smette di lampeggiare.
- 5 Premere il tasto per il caffè, che diventa arancione; nella tazzina viene immessa acqua calda. Quando la spia verde di caffè pronto inizia nuovamente a lampeggiare, premere il tasto per il caffè per fermare il flusso.
- 6 Togliere il portafiltro e preparare il caffè, utilizzando caffè macinato oppure in confezioni predosate.

per fare un espresso con caffè macinato

- 1 Preriscaldare la macchina come descritto a pagina 18.
- 2 Controllare che nel serbatoio ci sia acqua.
- 3 Scegliere il filtro desiderato.
 - Usare il filtro piccolo per fare una sola tazzina di caffè (oppure quando si usa il caffè in confezioni predosate), e il filtro grande per fare 2 tazzine di caffè.
- 4 Aggiungere il caffè usando l'apposito misurino fornito – un misurino raso di caffè per ogni tazzina. Livellare il caffè e premere leggermente usando il pressacaffè. Ripulire l'eventuale caffè rimasto attorno al bordo.
 - Acquistare solo caffè macinato idoneo per le macchine per caffè espresso.
 - Non premere mai troppo il caffè, altrimenti il filtro rimarrà bloccato; inoltre il caffè uscirà lentamente e la crema sarà molto scura. Se tuttavia non lo si preme abbastanza, il caffè uscirà troppo velocemente, sarà di colore chiaro e di gusto annacquato.
- 5 Inserire il portafiltro. Controllare che l'aletta sul filtro vada a inserirsi nella fessura sul portafiltro.
- 6 Mettere il portafiltro nell'uscita per il caffè. Ruotarlo a destra per bloccarlo in posizione ①.
 - Collocare una o due tazzine sotto il portafiltro ②. Se si prepara una sola tazzina, metterla al centro.

- 7 Premere il tasto acceso/spento e aspettare che la spia verde di caffè pronto smetta di lampeggiare, poi premere il tasto per il caffè.
- 8 Quando si ha abbastanza caffè (non troppo, altrimenti sarà annacquato), premere il tasto per il caffè. Se non si desidera fare altro caffè, premere il tasto acceso/spento per spegnere la macchina. La tabella che segue funge da guida per decidere per quanto tenere premuto il tasto per il caffè e preparare bevande di volume diverso.

quantità	filtro	Tempo di erogazione approssimativo
1 Espresso (40ml)	1 tazzina	12 sec
2 Espresso (40ml cad.)	2 tazzine	25 sec
1 caffè grande (125ml)	1 tazzina	32 sec
2 caffè grandi (125ml cad.)	2 tazzine	65 sec

- 9 Aspettare 30 secondi, poi estrarre il portafiltro ruotandolo a sinistra.
 - Quando si estrae il filtro esso potrebbe contenere acqua: questo è normale.
- 10 Per rimuovere il caffè usato dal portafiltro, spostare la leva sul manico in modo da inserire l'estremità sul filtro ③. Ora tenere la leva in questa posizione e capovolgere l'unità, picchiettandola per eliminare i fondi di caffè ④.

Importante

Non togliere mai il portafiltro quando si è selezionata la funzione del caffè o del vapore, altrimenti dalla macchina potrebbe fuoriuscire vapore e voi potreste scottarvi.

per fare il caffè usando le confezioni predosate

Importante

Se si utilizza il filtro per una tazzina dopo aver usato caffè macinato, è necessario ripulire i residui di caffè da attorno all'uscita per il caffè. Questo serve ad evitare perdite di acqua dal portafiltro e a garanzia di un rendimento ottimale. Fare attenzione: questa parte della macchina potrebbe scottare.

- 1 Preriscaldare la macchina come descritto a pagina 18; inserire il filtro piccolo nel portafiltro.
- 2 Dopo aver preriscaldato la macchina, estrarre il portafiltro e inserire la cialda nel filtro, facendo attenzione a collocarla nell'orientazione corretta ⑤.
- 3 Premere la cialda verso la parte inferiore del filtro, controllando che le pieghe della carta aderiscano all'interno del filtro.
- 4 La cialda deve essere ben centrata ed inserita nel filtro.
- 5 Inserire il portafiltro nell'uscita per il caffè e ruotarlo verso destra fino a quando non si blocca in posizione ①.
- 6 Seguire la procedura su "per fare un espresso".

NB: usare solo cialde conformi alle specifiche ESE.

 - Seguire sempre le istruzioni che corredano le confezioni predosate di caffè per inserirle correttamente nel filtro.



per montare il latte a schiuma per il cappuccino

Preparare un espresso nel modo descritto.

consiglio – per preparare più di un cappuccino, prima fare tutti i caffè, poi preparare il latte per tutti i cappuccini.

- 1 Controllare che nel serbatoio ci sia acqua.
- 2 Verificare che la manopola regolabile per il vapore sia chiusa.
- 3 Premere il tasto acceso/spento, che ora diventa arancione.
- 4 Premere il tasto per il vapore: ora la spia rossa del vapore inizia a lampeggiare.
- 5 Aspettare che la spia rossa rimanga accesa in modo continuo, a conferma del raggiungimento della temperatura corretta.
- 6 Riempire parzialmente un bricco con del latte – si ricorda che il volume del latte può anche triplicare, quindi scegliere un bricco di dimensioni idonee. A titolo di guida, usare 40-60 ml di latte per ogni cappuccino.
 - Per i migliori risultati, usare latte freddo parzialmente scremato.
- 7 Tenere il bricco con una mano e immergere il tubino nel latte, controllando che il latte non oltrepassi il giunto del tubino.
- 8 Aprire la manopola regolabile del vapore ruotandola in senso antiorario. Ora il latte comincia ad aumentare di volume e a formare schiuma ⑥. Regolare l'altezza del bricco affinché la punta del tubino rimanga immersa nel latte. Dopo 20-25 secondi il latte verrà montato a schiuma.
- 9 Fermare il vapore ruotando la manopola regolabile in senso orario.
 - Non lasciare mai che il latte inizi a bollire, altrimenti si rovina il gusto del caffè.
- 10 Premere il tasto per il vapore.
- 11 Versare il latte in schiuma nelle tazze che contengono il caffè espresso. Per fare il caffelatte, trattenerne la schiuma e aggiungere solo latte caldo.

Importante – Non azionare mai continuamente il tubino del vapore per più di 2 minuti e pulirlo sempre dopo l'uso.

- 12 Premere il tasto acceso/spento per spegnere la macchina.

per fare il caffè espresso dopo aver bollito il latte

Importante

Non togliere mai il portafiltro dalla sede immediatamente dopo aver usato la funzione del vapore.

Se preparate un espresso dopo aver bollito il latte occorre espellere l'acqua troppo calda, che altrimenti potrebbe bruciare il caffè. Per farlo:

- 1 Spegnere il tasto per il vapore.
- 2 Controllare che nel serbatoio ci sia acqua e collocare un bricco sotto il tubino per il vapore.
- 3 Aprire la manopola regolabile del vapore ruotandola in senso antiorario e premere il tasto per il caffè (dal tubino ora fuoriesce acqua/vapore). Aspettare fino a quando la spia verde lampeggia, poi chiudere la manopola regolabile del vapore e spegnere il tasto per il caffè.
- 4 Aspettare fino a quando la spia verde rimane accesa in modo continuo. Ora la macchina è pronta per fare il caffè.

pulizia

tubino per il vapore

Prima della pulizia, lasciare fuoriuscire dal tubino un po' di acqua bollente, per agevolare la procedura. Farlo immediatamente dopo avere erogato vapore. Per farlo:

- 1 Controllare che nel serbatoio ci sia acqua e collocare un bricco sotto il tubino per il vapore.
- 2 Spegnere il tasto per il vapore.
- 3 Aprire la manopola del vapore ruotandola in senso antiorario.
- 4 Premere il tasto per il caffè e azionarlo per 10 secondi circa, per permettere il passaggio di acqua calda attraverso il tubino.
- 5 Spegnere il tasto per il caffè e poi chiudere la manopola regolabile del vapore ruotandola in senso orario.
- 6 Premere il tasto acceso/spento per spegnere la macchina.

- Prima di proseguire la pulizia, disinserire la spina della macchina dalla presa elettrica e lasciare che tutti i componenti si raffreddino.
- Non immergere mai la macchina in acqua.
- Non lavare i componenti in lavastoviglie.

tubino per il vapore

- 1 Svitare il tubino girandolo in senso orario, poi lavarlo a fondo. Controllare che i 3 fori del tubino non siano bloccati ⑬. Se necessario, aprirli con uno spillo.
- 2 Pulire il tubo per il vapore. Verificare che la sua estremità non sia otturata.
- 3 Riavvitare il tubino sul tubo di erogazione.

serbatoio, coperchio, portafiltro

- Lavare, risciacquare e lasciare asciugare.


filtro (tipo per una e per due tazzine)

- Lavare e asciugare dopo ogni uso.
- Dopo circa 100 usi, smontare e pulire più a fondo, come descritto di seguito.
- Togliere la calotta sulla parte sottostante del filtro, girandola nella direzione indicata ⑦. Togliere il dispositivo per fare la crema, spingendolo verso l'alto da sotto ⑧. Separare i componenti del dispositivo per fare la crema tirando in senso laterale la guarnizione ⑨ e togliendo il disco in plastica e il filtro metallico ⑩. Sciacquare a fondo i componenti. Pulire il filtro metallico con acqua molto calda, usando uno spazzolino ⑪. Verificare che i fori del filtro metallico non siano bloccati. Se necessario, aprirli usando uno spillo ⑫. Asciugare i componenti e poi rimontarli, controllando di rimetterli in modo corretto.

appoggio per la tazzina, vassoio di raccolta

- Svuotare regolarmente il vassoio di raccolta. Capirete che è pieno quando il galleggiante rosso al centro si solleva e diventa visibile dal foro centrale nell'appoggio per la tazzina.
- 1 Lavare e asciugare.

uscita per il caffè

- Dopo ciascun uso, controllare che questa sezione sia pulita e libera da residui di caffè. Ripulirla passandola e, se necessario, eseguire la procedura spiegata sotto per una pulizia più approfondita. Se questa parte della macchina non viene tenuta pulita, la qualità del caffè preparato viene compromessa. Inoltre, si rischia di danneggiare l'unità.
- 1 Con un cacciavite , svitare la vite che fissa in posizione l'uscita per il caffè (non estrarre la calotta interna).
 - 2 Pulire la zona usando un panno umido.
 - 3 Pulire a fondo l'uscita dopo averla estratta, immergendola in acqua calda saponata ed usando uno spazzolino. Sciacquare bene. Controllare che i fori non siano bloccati, altrimenti aprirli con uno spillo.
 - 4 Invertire la procedura suddetta per rimontare l'uscita sulla macchina.
Se non si puliscono l'uscita per il caffè e i filtri nel modo descritto, la garanzia non sarà più valida.

pulizia del calcare

Si consiglia di rimuovere il calcare dalla caffettiera elettrica dopo aver preparato 200 caffè.

- 1 Si consiglia di acquistare un prodotto specifico per la rimozione del calcare dalle macchine per caffè espresso. Usare un prodotto anticalcare di marca, nelle quantità consigliate dal produttore ma senza superare la capienza del serbatoio di 1 litro.
- 2 Assicurarsi che il portafiltro non sia montato e collocare un contenitore sotto l'uscita del caffè, e un bricco sotto il tubino per il vapore.
- 3 Premere il tasto acceso/spento e poi premere il tasto per il caffè e aprire la manopola regolabile del vapore, ruotandola in senso antiorario. Lasciare che dal tubino fuoriesca 1 tazza di acqua. Chiudere la manopola regolabile per il vapore e lasciare che dall'uscita per il caffè fuoriesca una tazza di acqua. Non aspettare che la spia verde smetta di lampeggiare.
- 4 Spegnerla macchina e disinserire la spina dalla presa elettrica. Lasciare riposare l'apparecchio per 15 minuti.
- 5 Ripetere il punto 3 della procedura e lasciare che tutto il prodotto anticalcare fuoriesca dalla macchina. Spegnerla apparecchio.
- 6 Sciacquare il serbatoio con cura e riempirlo con acqua pulita.
- 7 Seguire il punto 3, lasciando che l'acqua fuoriesca dal tubino e inoltre dall'uscita per il caffè. Ripetere con un serbatoio di acqua fresca. In questo modo si elimineranno tutti i residui del prodotto anticalcare.

La garanzia non include le riparazioni per via di guasti causati dall'accumulo di calcare, se non si ripulisce la macchina ad intervalli regolari.

manutenzione e assistenza tecnica

- In caso il cavo sia danneggiato, per ragioni di sicurezza deve essere sostituito solo dal fabbricante oppure da un addetto KENWOOD autorizzato alle riparazioni.
Se si ha bisogno di assistenza riguardo:
 - uso dell'apparecchio o
 - manutenzione o riparazioniContattare il negozio dove si è acquistato l'apparecchio.
- Disegnato e progettato da Kenwood nel Regno Unito.
- Prodotto in Cina.



IMPORTANTI AVVERTENZE PER IL CORRETTO SMALTIMENTO DEL PRODOTTO AI SENSI DELLA DIRETTIVA EUROPEA 2002/96/EC.

Alla fine della sua vita utile il prodotto non deve essere smaltito insieme ai rifiuti urbani.

Deve essere consegnato presso gli appositi centri di raccolta differenziata predisposti dalle amministrazioni comunali, oppure presso i rivenditori che offrono questo servizio.

Smaltire separatamente un elettrodomestico consente di evitare possibili conseguenze negative per l'ambiente e per la salute derivanti da un suo smaltimento inadeguato e permette di recuperare i materiali di cui è composto al fine di ottenere notevoli risparmi in termini di energia e di risorse.

Per rimarcare l'obbligo di smaltire separatamente gli elettrodomestici, sul prodotto è riportato il simbolo del bidone a rotelle barrato.

localizzazione dei guasti

problema	possibile causa	soluzione
Dalla macchina non esce caffè espresso	<ul style="list-style-type: none"> • Il caffè è umido e/o è stato premuto troppo all'interno del filtro. • I fori del portafiltro sono bloccati. • L'uscita del caffè è otturata. • Il serbatoio è stato montato male e la valvola sul fondo non è aperta. • I fori del dispositivo per fare la crema sono bloccati. 	<ul style="list-style-type: none"> • Controllare di usare caffè macinato idoneo per le macchine per espresso. Premere di meno il caffè nel filtro e, se necessario, variare la macinazione della miscela. • Pulire i fori del portafiltro. • Pulire come spiegato nella sezione sulla pulizia. • Fare leggera pressione sul serbatoio per aprire la valvola sul fondo. • Smontare il dispositivo per fare la crema e pulire 8 a fondo i componenti. Vedere la sezione Pulizia (filtro).
L'espresso esce goccia a goccia dal bordo del portafiltro e non dai fori	<ul style="list-style-type: none"> • Il portafiltro è stato fissato male. • La guarnizione della caldaia non è più elastica. • I fori del portafiltro sono bloccati. • Nel filtro è stato versato troppo caffè. 	<ul style="list-style-type: none"> • Rimontare il portafiltro, avendo cura di inserirlo correttamente e di girarlo verso destra. • Fare cambiare la guarnizione. Vedere la sezione Manutenzione e assistenza tecnica. • Pulire i fori del portafiltro. • Ridurre la quantità di caffè.
L'espresso è freddo	<ul style="list-style-type: none"> • Non si è preriscaldato la macchina. • La spia verde di caffè pronto non era accesa quando è stato premuto il tasto per caffè. 	<ul style="list-style-type: none"> • Seguire le istruzioni sul preriscaldamento della macchina. • Aspettare che la spia verde per il caffè smetta di lampeggiare prima di premere il tasto per caffè.
La pompa fa troppo rumore	<ul style="list-style-type: none"> • Il serbatoio dell'acqua è vuoto. • Il serbatoio è stato montato male e la valvola sul fondo non è aperta. 	<ul style="list-style-type: none"> • Riempire di acqua il serbatoio. • Fare leggera pressione sul serbatoio per aprire la valvola sul fondo.
La crema del caffè è chiara e l'espresso esce troppo in fretta	<ul style="list-style-type: none"> • Il caffè macinato non è stato premuto abbastanza. • Si è usato troppo poco caffè. • Si è versato troppo caffè. • Il caffè usato non è idoneo. 	<ul style="list-style-type: none"> • Premere più a fondo il caffè. • Mettere più caffè nel filtro. • Ridurre il caffè versato nella tazzina (o tazzine). • Cambiare il tipo di caffè usato.
La crema del caffè è scura e l'espresso esce troppo piano	<ul style="list-style-type: none"> • Il caffè macinato è stato premuto troppo. • L'uscita del caffè è otturata. • Si è versato troppo caffè. • Il caffè è macinato troppo fine. • Il caffè usato non è idoneo. 	<ul style="list-style-type: none"> • Premere meno il caffè • Pulire come spiegato alla sezione Pulizia. • Ridurre la quantità. • Cambiare tipo di caffè e acquistarne uno idoneo per le macchine per espresso. • Cambiare tipo di caffè e acquistarne uno idoneo per le macchine per espresso.
Il caffè ha un gusto acido	<ul style="list-style-type: none"> • Non si è sciacquata bene la macchina dopo aver eliminato il calcare. 	<ul style="list-style-type: none"> • Lavare varie volte la macchina con acqua pulita e sciacquare tutti i componenti – vedere la sezione Pulizia.
Il latte non fa schiuma quando preparo il cappuccino	<ul style="list-style-type: none"> • Il latte non è abbastanza freddo. • Il tubino per fare il cappuccino è sporco. 	<ul style="list-style-type: none"> • Usare sempre latte dal frigorifero. • Provare un latte con un diverso contenuto di grassi. • Pulire sia il tubo di erogazione del vapore che il tubino. Vedere la sezione Pulizia.

Português

Por favor desdobre as ilustrações da primeira página.

antes de utilizar pela primeira vez

- 1 Leia atentamente estas instruções e guarde-as para consulta futura.
- 2 Retire todas as embalagens e eventuais etiquetas.
- 3 Lave os acessórios: ver "limpeza".
- 4 Passe por água limpa todas as peças: ver "antes de fazer café pela primeira vez".

segurança

- Nunca remova o porta-filtro enquanto prepara o café ou estiver a produzir vapor – pode sair vapor e provocar queimaduras.
- Não se queime com:
 - peças quentes, incluindo o injector de vapor, o porta-filtro, e a saída do café.
 - o vapor a sair do injector ou café a sair da saída do café.
- Mantenha as crianças afastadas da máquina. E nunca deixe o cabo eléctrico pendurado onde uma criança o possa agarrar.
- Nunca utilize um aparelho danificado. Mande-o examinar ou reparar: ver "assistência técnica e serviços ao cliente".
- Nunca mergulhe a máquina em água ou deixe o cabo de alimentação ou a ficha apanharem humidade – pode apanhar um choque eléctrico.
- Desligue da corrente eléctrica:
 - antes de encher com água
 - antes de limpar
 - após a utilização.
- Nunca deixe a máquina ligada sem vigilância.
- Não deixe o cabo de alimentação tocar em peças quentes.
- Este electrodoméstico não deverá ser utilizado por pessoas (incluindo crianças) com capacidades mentais, sensoriais ou físicas reduzidas ou com falta de experiência e conhecimento, a não ser que sejam supervisionadas ou instruídas sobre o uso do electrodoméstico por uma pessoa responsável pela sua segurança.
- As crianças devem ser vigiadas para garantir que não brincam com o electrodoméstico.
- Use o aparelho apenas para o fim doméstico a que se destina. A Kenwood não se responsabiliza caso o aparelho seja utilizado de forma inadequada, ou caso estas instruções não sejam respeitadas.

importante

- Nunca utilize sem água – a bomba queimar-se-á.
- Mantenha a máquina num ambiente a uma temperatura superior a 0°C – caso contrário, a água na máquina vai congelar e causar danos.
- Nunca utilize sem o tabuleiro escorredor e sem a bandeja para chávenas.

antes de ligar à corrente

- Certifique-se que a sua corrente eléctrica tem a mesma voltagem que a apresentada na base da sua máquina.
- Este aparelho está em conformidade com a directiva 2004/108/EC da CEE sobre Compatibilidade Electromagnética e o regulamento da CEE nº. 1935/2004 de 27/10/2004 sobre materiais concebidos para estarem em contacto com alimentos.

conheça a sua máquina de café expresso

Kenwood

- ① reservatório de água amovível
- ② tampa
- ③ pega do injector de vapor
- ④ tubo do vapor
- ⑤ injector de vapor
- ⑥ saída do café
- ⑦ botão de variação de vapor
- ⑧ filtro pequeno para 1 chávena ou saqueta de café
- ⑨ encaixe
- ⑩ filtro grande para apenas 2 chávenas
- ⑪ botão para tirar café
- ⑫ luz indicadora de que está pronta a tirar café
- ⑬ botão ON/OFF
- ⑭ luz indicadora de que está pronta a tirar vapor
- ⑮ botão para vapor
- ⑯ tabuleiro escorredor
- ⑰ flutuador
- ⑱ bandeja para chávenas
- ⑲ colher doseadora/calçador de café
- ⑳ porta-filtro
- ㉑ alavanca para esvaziar o filtro
- ㉒ tabuleiro para guardar chávenas

antes de fazer café pela primeira vez

- 1 Confirme que o botão de variação de vapor está na posição fechada - gire na direcção dos ponteiros do relógio para fechar (não aperte demasiado).
 - 2 Levante a tampa, levante e retire o reservatório de água e encha-o com água fria. Não ultrapasse o nível "MAX". Pode em alternativa levantar a tampa e encher o reservatório colocado na máquina.
 - Recomendamos que utilize água filtrada para reduzir o tártaro e conseguir um café mais saboroso. Nunca utilize água gaseificada ou qualquer outro tipo de líquido.
 - 3 Volte a colocar o reservatório. Certifique-se que este se encontra correctamente colocado e caso seja necessário, aplique uma ligeira pressão para se certificar que a válvula do fundo do reservatório fica ligada à máquina.
- Importante**
Nunca faça funcionar a máquina sem água no reservatório.
Encha novamente logo que o nível esteja baixo.
- 4 Feche a tampa.
 - 5 Segure na pega do injector de vapor e gire-o para fora e coloque um jarro por baixo.
 - 6 Instale o porta-filtro na máquina encaixando-o por baixo da saída do café e virando-o para a direita ①. Coloque um recipiente por baixo.
 - 7 Ligue à tomada de corrente, carregue no botão ON/OFF e este acende-se de cor de laranja. Ao mesmo tempo a luz indicadora verde de que a máquina está pronta para tirar café, pisca. Espere até a luz verde parar de piscar.
 - 8 Abra o botão de variação de vapor girando-o na direcção contrária à dos ponteiros do relógio e carregue no botão para tirar café, deixando correr pelo injector do vapor o equivalente a uma chávena de água. Feche o botão de variação de vapor e deixe correr pela saída do café o equivalente a uma chávena de água para o recipiente.
 - 9 Carregue no botão para tirar café para parar de deitar e depois carregue no botão ON/OFF para desligar a máquina.
 - 10 Repita estes passos no caso de não ter utilizado a máquina de café durante uns dias.

pré-aquecer a máquina de café

Para se assegurar que o seu café expresso é servido à temperatura correcta é essencial que a máquina de café seja pré-aquecida.

- 1 Confirme que o botão de variação de vapor está bem fechado (gire-o na direcção dos ponteiros do relógio) e que há água suficiente no reservatório para aquecer 1 ou 2 chávenas de acordo com o necessário.
- 2 Coloque o filtro desejado no porta-filtro (sem café e certificando-se que o encaixe do filtro engata na ranhura do porta-filtro). Prenda-o à máquina posicionando-o por baixo da saída do café e virando-o para a direita ①. Certifique-se que está firmemente colocado.
- 3 Coloque uma chávena sob o porta-filtro. Se utilizar a mesma chávena onde o café vai ser servido assegurará que esta fica pré-aquecida.
- 4 Carregue no botão ON/OFF e este acende-se de cor de laranja. Ao mesmo tempo a luz indicadora verde de que a máquina está pronta para tirar café, pisca. Espere até a luz verde parar de piscar.
- 5 Carregue no botão para tirar café, este acende-se de cor de laranja e cairá água quente na chávena. Quando luz indicadora verde de que está pronta a tirar café, começa a piscar novamente, carregue no botão para tirar café para parar o fluxo.
- 6 Remova o porta-filtro e comece a fazer café utilizando café moído ou saquetas de café.

fazer um expresso com café moído

- 1 Pré-aqueça a máquina seguindo as instruções da pag. 22.
- 2 Verifique se existe água no reservatório.
- 3 Selecciono o filtro desejado.
 - Utilize o filtro mais pequeno para tirar uma chávena de café (ou quando utiliza saquetas de café) e o filtro maior para 2 chávenas.
- 4 Adicione o café, utilizando a colher doseadora fornecida, uma colher rasa por chávena, nivele a superfície e depois comprima ligeiramente com a parte posterior da colher que serve de calçador. Limpe quaisquer resíduos de café que se encontrem à volta do rebordo.
 - Ao comprar café moído certifique-se que é indicado para máquinas de café expresso.
 - Nunca comprima demasiado o café uma vez que este pode entupir o filtro e o café poderá sair muito devagar e a espuma sairá muito escura. Contudo, se não comprimir o suficiente, o café sairá demasiado depressa e a espuma será clara e o café terá sabor a aguado.

- Coloque o porta-filtro. Certifique-se que o encaixe do filtro engata na ranhura do porta-filtro.
- Encaixe o porta-filtro na saída do café. Gire para a direita para prender ❶.
- Coloque por baixo uma ou duas chávenas ❷. Se fizer uma chávena de café, coloque-a no centro.
- Carregue no botão ON/OFF e espere que a luz indicadora verde de que a máquina está pronta para tirar café pare de piscar e depois carregue no botão do café.
- Quando tiver café suficiente - não muito, de modo que será muito fraco, carregue no botão para tirar café. Se não fizer mais café carregue no botão ON/OFF para desligar a máquina. O quadro seguinte é um guia sobre o tempo que o botão para fazer café deve trabalhar para produzir bebidas de volumes diferentes.

quantidade	tamanho do filtro	tempo aproximado a deitar
1 Espresso (40ml)	1 chávena	12 seg.
2 x Espresso (40ml cada)	2 chávenas	25 seg.
1 café comprido (125ml)	1 chávena	32 seg.
2 cafés compridos (125ml cada)	2 chávenas	65 seg.

- Espera durante 30 segundos e depois remova o porta-filtro rodando-o para a esquerda.
- Pode haver água no filtro quando o retirar: isto é normal.
- Para retirar do porta-filtro o café usado, faça deslizar a alavanca do manípulo de forma a que fique presa no filtro ❸. Mantenha a alavanca nesta posição e depois vire tudo ao contrário e deite fora o café usado ❹.

Importante

- Nunca remova o porta-filtro enquanto está seleccionada a função café ou vapor – pode sair vapor e provocar queimaduras.**

fazer café com saquetas de café

Importante

Se o filtro para uma chávena for usado depois de ter sido utilizado com café moído é necessário limpar quaisquer borras de café à volta da saída de café. Isto é necessário para evitar fugas de água do porta-filtro e para assegurar um desempenho excelente. Tenha cuidado pois a área pode estar quente.

- Pré-aqueça a máquina seguindo as instruções da pág. 22, colocando o filtro pequeno no porta-filtro.
- Depois de pré-aquecido remova o porta-filtro e coloque a saqueta de café no filtro certificando-se que está colocado com o lado correcto para cima ❶.
- Prima a saqueta para baixo no filtro, assegurando-se que as bordas da saqueta aderem aos lados interiores do filtro.
- A saqueta precisa de estar bem centrada e firmemente colocada no filtro.
- Instale o porta-filtro na saída de café e gire para a direita até prender ❶.
- Siga os pontos "fazer café expresso".

Nota – utilize saquetas que estejam conformes com a norma E.S.E..

- Siga sempre as instruções da embalagem das saquetas para as colocar correctamente no filtro.



para espumar o leite para o cappuccino

Prepare o café expresso da forma anteriormente descrita

dica – para preparar mais do que um cappuccino, faça primeiro todos os cafés e no fim prepare a espuma de leite para todos os cappuccinos.

- Verifique que existe água no reservatório.
- Verifique que o botão de variação de vapor está fechado.
- Carregue no botão ON/OFF e este acende-se de cor de laranja.
- Carregue no botão para vapor e a luz indicadora vermelha do vapor piscará.
- Espera até a luz vermelha ficar acesa sem piscar indicando que o aparelho atingiu a temperatura correcta.
- Encha parcialmente uma caneca de leite – o leite pode aumentar até três vezes o seu volume. Deve por isso escolher uma caneca de tamanho adequado. Para poder guiar-se utilize entre 40 a 60 ml de leite por cappuccino.
- Obtém melhores resultados com leite meio-gordo frio.
- Segure a caneca numa mão e coloque o injector no leite, assegurando-se que o leite não ultrapassa a união do injector.

- Abra o botão de variação do vapor rodando-o no sentido contrário dos ponteiros do relógio. O leite começará a aumentar de volume e a ficar espumoso ❷. Ajuste a altura do injector assegurando que a ponta deste continua abaixo da superfície do leite. Após 20-25 segundos o leite estará cozinhado a vapor e espumoso.
- Pare o vapor rodando o botão de variação do vapor no sentido dos ponteiros do relógio.
- Nunca permita que o leite ferva pois vai estragar o sabor do café.
- Carregue no botão para vapor.
- Verse a espuma de leite nas chávenas com o café expresso. Para café com leite retire a espuma e adicione simplesmente o leite cozinhado a vapor.
- Importante** – Nunca utilize o injector de vapor por mais de 2 minutos de cada vez e limpe-o sempre depois de usar.
- Carregue no botão ON/OFF para desligar.

fazer um expresso após ter espumado o leite

Importante

Nunca remova o porta-filtro do seu invólucro imediatamente após ter utilizado a função de vapor.

Se fizer o café expresso depois de ter espumado o leite precisa de eliminar a água demasiado quente que pode queimar o seu café. Eis como:

- Desligue o botão para vapor.
- Assegure-se que existe água no reservatório e coloque uma caneca por baixo do injector do vapor.
- Abra o botão de variação de vapor girando-o na direcção contrária à dos ponteiros do relógio e carregue no botão para tirar café (sairá do injector do vapor água e vapor). Espere até que a luz verde pisque e depois feche o botão de variação de vapor e desligue o botão para tirar café.
- Espera o tempo necessário até que a luz verde pare de piscar. Quando isto acontecer a sua máquina está pronta para fazer café.

limpeza

injector do vapor

Antes de limpar o injector do vapor deixe correr através deste alguma água quente para o ajudar na operação de limpeza. Esta operação deve ser levada a cabo imediatamente após ter sido utilizado para vapor. Eis como:

- Assegure-se que existe água no reservatório e uma caneca por baixo do injector do vapor.
- Desligue o botão para vapor.
- Abra o botão de variação do vapor rodando-o no sentido contrário dos ponteiros do relógio.
- Carregue no botão para tirar café e faça trabalhar durante cerca de 10 segundos para permitir que passe alguma água quente pelo injector.
- Desligue o botão para tirar café, depois feche o botão de variação de vapor girando na direcção dos ponteiros do relógio.
- Carregue no botão ON/OFF para desligar a máquina.

- Antes de continuar com a limpeza, retire o cabo eléctrico da tomada e deixe tudo arrefecer.
- Nunca mergulhe o aparelho em água.
- Não lave nenhuma peça do aparelho na máquina de lavar louça.

injector do vapor

- Desaperte o injector rodando-o na direcção dos ponteiros do relógio e depois lave cuidadosamente em água corrente. Verifique que os 3 buracos indicados estão desimpedidos ❸. Se necessário desloque-os com um alfinete.
- Limpe o tubo do vapor. Confirme que a saída não está bloqueada.
- Aparafuse novamente o injector no tubo do vapor.

reservatório, tampa, porta-filtro

- Lave, passe por água limpa e deixe secar.

filtros (de uma e duas chávenas)

- Lave e seque depois de cada utilização.
- Após cerca de 100 utilizações desmonte e limpe a fundo da forma descrita em baixo.
- Remova a tampa localizada na base do filtro rodando-a na direcção indicada ❷. Remova o dispositivo de espuma empurrando de baixo para cima ❸. Separe os componentes do dispositivo de espuma puxando o vedante para o lado ❹ e retirando o disco de plástico e o filtro de metal ❺. Passe cuidadosamente as peças por água limpa. Lave o filtro de metal com água quente utilizando uma escova ❻. Confirme que os buracos do filtro de metal não estão bloqueados. Se necessário desloque-os com um alfinete ❼. Seque as peças e volte a montá-las certificando-se que estão correctamente montadas.

bandeja para chávenas, tabuleiro escorredor

- Esvazie regularmente o tabuleiro escorredor. Saberá quando está cheio porque o flutuador vermelho no centro do tabuleiro escorredor torna-se visível no orifício central da bandeja para chávenas.

1 Lave e seque em seguida.

saída do café

- Após cada utilização confirme que esta área está limpa e livre de café. Limpe e se necessário siga o seguinte procedimento para limpar de forma mais profunda. Se não mantiver esta área limpa isso afectará a qualidade do café e pode também danificar a sua máquina.

1 Utilizando uma chave de fendas **14**, desaparafuse o parafuso que segura a saída do café (não remova a cobertura interior).

2 Limpe a área com um pano húmido.

3 Limpe cuidadosamente a peça que retirou com água quente com sabão utilizando uma escova. Passe bem por água limpa. Confirme que os buracos estão desimpedidos e utilize um alfinete caso seja necessário.

4 Monte novamente a peça fazendo o inverso do processo acima descrito. Não limpar a saída do café e os filtros de acordo com o descrito, invalida a garantia.

descalcificar

É aconselhável descalcificar a máquina do café após ter tirado 200 chávenas de café.

- 1 Recomendamos que adquira um produto específico para descalcificar máquinas de café expresso. Utilize as quantidades recomendadas na embalagem do produto mas não exceda a capacidade de 1 litro do reservatório.
- 2 Certifique-se que o porta-filtro não está na máquina e coloque uma taça por baixo da saída do café e uma caneca por baixo do injecto de vapor.
- 3 Carregue no botão ON/OFF e depois no botão para tirar café e abra o botão de variação de vapor girando-o na direcção contrária dos ponteiros do relógio, deixando correr pelo injecto de vapor o equivalente a uma chávena de água. Feche o botão de variação de vapor e deixe correr pela saída do café o equivalente a uma chávena de água. Não espere que a luz verde pare de piscar.
- 4 Desligue a máquina do café e retire da corrente eléctrica, deixando repousar durante 15 minutos.
- 5 Repita o passo 3 e deixe o descalcificador sair todo da máquina esvaziando assim o reservatório. Desligue-a.
- 6 Passe cuidadosamente o reservatório por água corrente e encha-o com água fria.
- 7 Siga os passos 3 permitindo que a água saia toda quer pela saída do café quer pelo injecto de vapor. Repita o processo com mais um reservatório de água fria. Isto vai remover todos os vestígios do descalcificante.

As reparações provocadas pelo mau funcionamento devido à acumulação de calcário na máquina, não são cobertas pela garantia se o processo de descalcificação não for efectuado regularmente.

assistência e cuidados do cliente

- Caso o fio se encontre danificado, deverá, por motivos de segurança, ser substituído pela KENWOOD ou por um reparador KENWOOD autorizado.

Caso necessite de assistência para:

- utilizar o seu electrodoméstico ou
 - assistência ou reparações
- Contacte o estabelecimento onde adquiriu o electrodoméstico.

- Concebido e projectado no Reino Unido pela Kenwood.
- Fabricado na China.



ADVERTÊNCIAS PARA A ELIMINAÇÃO CORRECTA DO PRODUTO NOS TERMOS DA DIRECTIVA EUROPEIA 2002/96/EC.

No final da sua vida útil, o produto não deve ser eliminado conjuntamente com os resíduos urbanos.

Pode ser depositado nos centros especializados de recolha diferenciada das autoridades locais, ou junto dos revendedores que prestem esse serviço. Eliminar separadamente um electrodoméstico permite evitar as possíveis consequências negativas para o ambiente e para a saúde pública resultantes da sua eliminação inadequada, além de permitir reciclar os materiais componentes, para, assim se obter uma importante economia de energia e de recursos.

Para assinalar a obrigação de eliminar os electrodomésticos separadamente, o produto apresenta a marca de um contentor de lixo com uma cruz por cima.

guia de avarias

problema	causa possível	solução
O café expresso não sai da máquina.	<ul style="list-style-type: none"> • O café está húmido e/ou demasiado comprimido no filtro. • Os buracos do tubo do porta-filtro estão bloqueados. • A saída do café está bloqueada. • O reservatório está mal colocado e portanto a válvula do fundo não está aberta. • Os buracos do dispositivo de espuma estão bloqueados. 	<ul style="list-style-type: none"> • Confirme que está a usar café moído indicado para máquinas de café expresso. - Comprima mais ligeiramente o café no filtro e mude, se necessário, o tipo de moagem. • Limpe os buracos dos tubos. • Limpe de acordo com as indicações na secção "limpeza". • Exerça uma ligeira pressão no reservatório para abrir a válvula do fundo. • Desmonte o dispositivo de espuma 8 e lave a fundo as peças. Ver secção "limpeza" (filtro).
O café verte pelas extremidades do porta-filtro, em vez de sair pelos buracos.	<ul style="list-style-type: none"> • O porta-filtro está mal colocado na máquina. • O vedante do fervedor expresso perdeu a sua elasticidade. • Os buracos do tubo do porta-filtro estão bloqueados. • Foi colocado demasiado café no filtro. 	<ul style="list-style-type: none"> • Volte a colocar o porta-filtro certificando-se que está bem colocado e rode para a direita. • Substitua o vedante por um novo. Consulte a secção "assistência técnica e serviços ao cliente". • Limpe os buracos dos tubos. • Diminua a quantidade de café no filtro.
O café expresso sai frio.	<ul style="list-style-type: none"> • Não pré-aqueceu a máquina . • A luz indicadora verde de que está pronta a tirar café, não estava iluminada quando carregou no botão para tirar café. 	<ul style="list-style-type: none"> • Siga as instruções de pré-aquecimento da máquina de café. • Espere até que a luz verde indicadora pare de piscar antes de carregar no botão para tirar café.
A bomba faz muito barulho.	<ul style="list-style-type: none"> • O reservatório da água está vazio. • O reservatório está mal colocado e portanto a válvula do fundo não está aberta. 	<ul style="list-style-type: none"> • Encha o reservatório com água. • Exerça uma ligeira pressão no reservatório para abrir a válvula do fundo.
A espuma do café está clara e sai demasiado depressa.	<ul style="list-style-type: none"> • O café moído não foi suficientemente comprimido. • Não está a usar café moído suficientemente. • O café utilizado não é o indicado. • Mude o tipo de café utilizado. 	<ul style="list-style-type: none"> • Foi servido demasiado café. • Aumente a quantidade de café no filtro. • Diminua a quantidade de café em cada chávena. • O café utilizado não é o indicado.
A espuma do café está escura e sai demasiado devagar.	<ul style="list-style-type: none"> • O café moído foi demasiado comprimido. • A saída do café está bloqueada. • Foi usado demasiado café. • O café está moído demasiado fino. • O café utilizado não é o indicado. 	<ul style="list-style-type: none"> • Pressione menos o café. • Limpe de acordo com as indicações na secção "limpeza". • Diminua a quantidade de café no filtro. • Mude de café e adquira um que seja indicado para máquinas de café expresso. • Mude de café e adquira um que seja indicado para máquinas de café expresso.
O café tem um sabor ácido.	<ul style="list-style-type: none"> • A máquina não foi lavada convenientemente depois da descalcificação. 	<ul style="list-style-type: none"> • Deixe passar pela máquina vários reservatórios de água e passe por água limpa todas as peças. Ver "limpeza".
O leite não fica espumoso quando faz um cappuccino	<ul style="list-style-type: none"> • O leite não está suficientemente frio. • O dispositivo de fazer cappuccino está sujo. 	<ul style="list-style-type: none"> • Utilize sempre leite vindo do frigorífico. • Tente utilizar leite com um teor diferente de gordura. • Limpe o tubo e o injector do vapor. Ver "limpeza".

Por favor, despliegue la cubierta que contiene las ilustraciones

antes de utilizar el aparato por primera vez

- 1 Lea estas instrucciones atentamente y guárdelas para poder utilizarlas en el futuro.
- 2 Quite todo el embalaje y las etiquetas.
- 3 Lave las piezas: consulte "limpieza".
- 4 Limpie el aparato con agua limpia: consulte "antes de hacer café por primera vez".

seguridad

- Nunca retire el portafiltros mientras se está haciendo el café o si se está produciendo vapor, ya que podría salir vapor disparado y quemarle.
- No se queme con:
 - las partes calientes, incluyendo la boquilla del vapor, el portafiltros y la salida del café.
 - el vapor que sale de la boquilla del vapor o el café de la salida del café.
- Mantenga a los niños alejados de la cafetera. Y nunca deje que el cable de alimentación eléctrica cuelgue de un lugar donde un niño pueda cogerlo.
- Nunca utilice una cafetera dañada. Para solicitar que la revisen o la reparen: consulte "servicio técnico y atención al cliente".
- Nunca sumerja la cafetera en agua ni permita que se mojen el cable o el enchufe - puede sufrir una descarga eléctrica.
- Desenchufe la cafetera:
 - antes de llenarla de agua
 - antes de limpiarla
 - después de usarla.
- Nunca deje este aparato desatendido.
- No deje que el cable toque las partes calientes.
- Este aparato no está pensado para ser utilizado por personas (incluyendo niños) con capacidades físicas, sensoriales o mentales disminuidas, o con falta de experiencia o conocimientos, a menos que hayan recibido instrucciones o supervisión en relación con el uso del aparato por parte de una persona responsable de su seguridad.
- Los niños deben ser vigilados para asegurarse de que no juegan con el aparato.
- Utilice este aparato únicamente para el uso doméstico al que está destinado. Kenwood no se hará cargo de responsabilidad alguna si el aparato se somete a un uso inadecuado o si no se siguen estas instrucciones.

importante

- No utilice nunca la cafetera sin agua – la bomba se quemará.
- Mantenga la cafetera a temperaturas superiores a 0 °C, de lo contrario, el agua del aparato se congelará y lo dañará.
- Nunca utilice la cafetera sin la bandeja de goteo y el soporte para la taza.

antes de enchufar el aparato

- Asegúrese de que la corriente eléctrica es la misma que figura en la parte inferior del aparato.
- Este dispositivo cumple con la Directiva 2004/108/CE sobre Compatibilidad Electromagnética, y con el reglamento (CE) nº 1935/2004, de 27 de octubre de 2004, sobre los materiales y objetos destinados a entrar en contacto con alimentos.

conozca las partes de su cafetera exprés Kenwood

- ① depósito de agua desmontable
- ② tapa
- ③ asa para la boquilla del vapor
- ④ tubo del vapor
- ⑤ boquilla del vapor
- ⑥ salida del café
- ⑦ botón de vapor variable
- ⑧ filtro pequeño para dispensar una taza o sobre monodosis de café
- ⑨ lengüeta
- ⑩ filtro grande para dispensar 2 tazas solamente
- ⑪ botón del café
- ⑫ luz indicadora de café preparado
- ⑬ botón de encendido/apagado
- ⑭ luz indicadora de vapor preparado
- ⑮ botón del vapor
- ⑯ bandeja de goteo
- ⑰ flotador
- ⑱ soporte para la taza
- ⑲ cuchara medidora/pisón del café
- ⑳ portafiltros
- ㉑ palanca para vaciar el filtro
- ㉒ bandeja portatazas

antes de hacer café por primera vez

- 1 Compruebe que el botón de vapor variable esté cerrado girándolo hacia la derecha (no lo apriete demasiado).
 - 2 Levante la tapa, luego saque el depósito y llénelo con agua fría. No lo llene nunca por encima del nivel "MAX" marcado. Como alternativa, puede retirar la tapa y llenar el depósito mientras está colocado en la cafetera.
 - Recomendamos utilizar agua filtrada ya que produce mejor café y reduce las incrustaciones de cal. No utilice nunca agua con gas ni ningún otro líquido.
 - 3 Vuelva a colocar el depósito. Asegúrese de que esté correctamente instalado y presione ligeramente si fuera necesario para asegurar que la válvula situada en la parte inferior del depósito esté conectada con la parte inferior de la cafetera.
- ### **importante**
- Nunca ponga en funcionamiento la cafetera cuando no haya agua en el depósito. Rellene tan pronto como baje el nivel.**
- 4 Cierre la tapa.
 - 5 Sujete el asa y gire y saque la boquilla del vapor y coloque una jarra debajo.
 - 6 Acople el portafiltros a la cafetera colocándolo debajo de la salida del café y girándolo hacia la derecha ①. Coloque un recipiente del tamaño adecuado debajo.
 - 7 Conecte a la toma de corriente, luego apriete el botón de encendido/apagado y se iluminará de color naranja. Al mismo tiempo, la luz verde indicadora de café preparado parpadeará. Espere hasta que la luz verde deje de parpadear.
 - 8 Abra el botón de vapor variable girándolo hacia la izquierda, luego apriete el botón del café y deje que una taza de agua salga por la boquilla del vapor. Cierre el botón de vapor variable y deje que una taza de agua salga por la salida del café al recipiente.
 - 9 Apriete el botón del café para detener la salida de agua, luego apriete el botón de encendido/apagado para desconectar la cafetera.
 - 10 Repita estos pasos si no ha utilizado la cafetera durante varios días.

precalentamiento de la cafetera

Para asegurarse de que su café exprés se sirva a la temperatura correcta, es fundamental precalentar la cafetera.

- 1 Compruebe que el botón de vapor variable esté bien cerrado (gírelo hacia la derecha) y que haya suficiente agua en el depósito para calentar 1 ó 2 tazas, según sea el caso.
- 2 Coloque el filtro deseado en el portafiltros (sin café y comprobando que la lengüeta del filtro encaje en la ranura del portafiltros). Acople a la cafetera colocándolo debajo de la salida del café y girándolo hacia la derecha ①. Asegúrese de que esté instalado firmemente.
- 3 Coloque una taza debajo del portafiltros. Si utiliza la misma taza en la que se servirá el café, ésta estará precalentada.
- 4 Apriete el botón de encendido/apagado y se iluminará de color naranja. Al mismo tiempo, la luz verde indicadora de café preparado parpadeará. Espere hasta que la luz verde deje de parpadear.
- 5 Apriete el botón del café y se iluminará de color naranja, y luego saldrá agua caliente en la taza. Cuando la luz verde indicadora de café preparado empiece a parpadear otra vez, apriete el botón del café para detener la salida de agua.
- 6 Retire el portafiltros y proceda a hacer el café utilizando café molido o sobres monodosis de café.

hacer café exprés con café molido

- 1 Precaliente la cafetera tal como se describe en la página 26.
- 2 Compruebe que haya agua en el depósito.
- 3 Seleccione el filtro deseado.
 - Utilice el filtro más pequeño para hacer una taza de café (o cuando utilice sobres monodosis de café) y el filtro más grande para 2 tazas.
- 4 Añada el café utilizando la cuchara medidora suministrada, una cucharada rasa por taza, entonces nivele la superficie presionando ligeramente con el pisón de café. Limpie el café que haya alrededor del anillo.
 - Cuando compre café molido, asegúrese de que sirva para las cafeteras exprés.
 - Nunca presione el café con demasiada firmeza ya que bloqueará el filtro y el café saldrá muy lentamente y la crema será de color oscuro. Sin embargo, si no se presiona lo suficiente, el café saldrá demasiado rápido y la crema tendrá un color claro, y el café tendrá un sabor aguado.
- 5 Coloque el portafiltros. Compruebe que la lengüeta del filtro encaje en la ranura del portafiltros.
- 6 Coloque el portafiltros en la salida del café. Gírelo a la derecha para fijarlo en posición ①.
 - Coloque una o dos tazas debajo ②. Si está haciendo una taza de café, centre la taza en el medio.

- 7 Apriete el botón de encendido/apagado y espere hasta que la luz verde indicadora de café preparado deje de parpadear, entonces apriete el botón del café.
- 8 Cuando tenga suficiente café -no demasiado ya que, de lo contrario, será demasiado suave- apriete el botón del café. Si ya no está haciendo más café, apriete el botón de encendido/apagado para desconectar la máquina. La tabla de abajo le da una orientación sobre el tiempo que debe accionar el botón para producir bebidas de diferentes volúmenes.

cantidad	tamaño del filtro	tiempo aproximado hasta dispensar el café
1 café exprés (40 ml)	1 taza	12 segundos
2 x expresos (40 ml cada uno)	2 tazas	25 segundos
1 café grande (125 ml)	1 taza	32 segundos
2 cafés grandes (125 ml cada uno)	2 tazas	65 segundos

- 9 Espere 30 segundos y luego quite el portafiltros girando hacia la izquierda.
 - Quizá haya agua en el filtro cuando lo quite: es normal.
- 10 Para retirar el café usado del portafiltros, tire de la palanca del asa de manera que el extremo quede sobre el filtro ③. Mantenga la palanca en posición; a continuación, ponga la unidad boca abajo y dé golpecitos para desprender los posos ④.

importante

Nunca retire el portafiltros mientras esté seleccionada la función “café” o “vapor”, ya que podría salir vapor disparado y quemarle.

hacer café utilizando sobres monodosis para filtro

importante

Si el portafiltros para sobres monodosis se utiliza después de utilizar café molido, es necesario eliminar todo el café molido que haya alrededor de la salida del café. Es necesario evitar las fugas de agua en el portafiltros y asegurar un rendimiento óptimo. Tenga cuidado ya que la zona puede estar caliente.

- 1 Precaliente la cafetera tal como se describe en la página 26, colocando el filtro pequeño en el portafiltros.
- 2 Después del precalentamiento, quite el portafiltros y ponga el sobre monodosis de café en el filtro asegurándose de que la posición del sobre sea la correcta ⑤.
- 3 Presione el sobre monodosis hacia la parte inferior del filtro, asegurándose de que las láminas de papel se adhieran a la parte interna del filtro.
- 4 El sobre monodosis tiene que estar bien centrado y colocado en el filtro.
- 5 Coloque el portafiltros en la salida del café y gírelo hacia la derecha hasta que quede fijado en posición ①.
- 6 Siga los puntos “para hacer café exprés”.
Nota: utilice sobres monodosis que cumplan el estándar ESE.
- Siga siempre las instrucciones del paquete de los sobres monodosis para su colocación correcta en el filtro.



espumar la leche para un cappuccino

Prepare el café exprés como se ha descrito anteriormente

Consejo: para preparar más de un cappuccino, prepare primero todos los cafés y, al final, prepare la leche espumada para todos los cappuccinos.

- 1 Compruebe que haya agua en el depósito.
- 2 Asegúrese de que el botón de vapor variable esté cerrado.
- 3 Apriete el botón de encendido/apagado y se iluminará de color naranja.
- 4 Apriete el botón del vapor y la luz roja indicadora de vapor preparado parpadeará.
- 5 Espere hasta que la luz roja brille de forma permanente, lo que indica que la unidad ha alcanzado la temperatura correcta.
- 6 Llene parcialmente una jarra con leche; la leche puede triplicar su volumen por eso debe seleccionar una jarra del tamaño adecuado. A modo de orientación, utilice 40-60 ml por cappuccino.
 - La leche fría semidesnatada da los mejores resultados.
- 7 Sujete la jarra con una mano y ponga la boquilla dentro de la leche asegurándose de que la leche no sobrepase la junta de la boquilla.
- 8 Abra el botón de vapor variable girándolo hacia la izquierda. La leche empezará a aumentar de volumen y tendrá una apariencia espumosa ⑥. Ajuste la altura de la jarra asegurándose de que la punta de la boquilla permanezca por debajo de la superficie de la leche. Después de 20-25 segundos la leche estará vaporizada y espumosa.

- 9 Pare el vapor girando el botón de vapor variable hacia la derecha.
 - Nunca deje que hierva la leche ya que puede estropear el sabor del café.
- 10 Apriete el botón del vapor.
- 11 Vierta la leche espumada en las tazas que contengan el café exprés. Para hacer café con leche, deje el espumado y añada sólo la leche vaporizada.

Importante: nunca ponga en funcionamiento la boquilla del vapor durante más de 2 minutos cada vez, y limpie siempre la boquilla después de usarla.
- 12 Apriete el botón de encendido/apagado para desconectar el aparato.

hacer café exprés después de espumar la leche

importante

Nunca retire el portafiltros de su compartimiento inmediatamente después de utilizar la función de vapor.

Si está haciendo café exprés después de espumar la leche, necesita deshacerse de toda el agua demasiado caliente que pudiera quemar su café.

Aquí le mostramos cómo:

- 1 Desconecte el botón del vapor.
- 2 Compruebe que haya agua en el depósito y ponga una jarra debajo de la boquilla del vapor.
- 3 Abra el botón de vapor variable girándolo hacia la izquierda y apriete el botón del café y (saldrá agua/vapor de la boquilla del vapor). Espere hasta que la luz verde parpadee, luego cierre el botón de vapor variable y desconecte el botón del café.
- 4 Espere más tiempo hasta que la luz verde brille de forma permanente. Cuando esto suceda, la cafetera ya estará lista para hacer café.

limpieza

boquilla del vapor

Antes de limpiar la boquilla del vapor, deje que un poco de agua caliente salga por la boquilla para ayudar al proceso de limpieza. Esto se debe hacer inmediatamente después de haber expandido vapor. Aquí le mostramos cómo:

- 1 Compruebe que haya agua en el depósito y una jarra debajo de la boquilla del vapor.
- 2 Desconecte el botón del vapor.
- 3 Abra el botón del vapor girándolo hacia la izquierda.
- 4 Apriete el botón del café y haga funcionar la máquina durante unos 10 segundos para dejar que pase agua caliente por la boquilla.
- 5 Desconecte el botón del café y luego cierre el botón de vapor variable girándolo hacia la derecha.
- 6 Apriete el botón de encendido/apagado para desconectar el aparato.
 - Antes de seguir limpiando, desenchufe y deje que todo se enfríe.
 - Nunca sumerja el aparato en agua.
 - No lave las piezas en el lavavajillas.

boquilla del vapor

- 1 Desenrosque la boquilla girándola hacia la derecha, luego lávela bien. Compruebe que los 3 orificios indicados no estén obstruidos ⑬. Si fuera necesario, desobstrúyalos con un afilador.
- 2 Limpie el tubo del vapor. Compruebe que el extremo no esté obstruido.
- 3 Vuelva a enroscar la boquilla en el tubo.

depósito, tapa, portafiltros

- Lave, aclare y deje secar.


filtro (versión para una y dos tazas)

- Lave y seque después de cada uso.
- Después de 100 usos aproximadamente, desmonte la cafetera y límpiela a fondo tal como se describe a continuación.
- Retire la tapa situada en la parte inferior del filtro girándola en la dirección indicada ⑦. Retire el dispositivo para crema levantándolo desde la parte inferior ⑧. Separe los componentes del dispositivo para crema tirando lateralmente de la junta ⑨ y retirando el disco de plástico y el filtro metálico ⑩. Lave bien las piezas. Limpie el filtro metálico con agua caliente y un cepillo ⑪. Asegúrese de que los orificios del filtro metálico no estén obstruidos. Si fuera necesario, límpielos con un afilador ⑫. Seque las piezas y vuélvalas a montar, asegurándose de que las piezas estén bien ensambladas.

soporte para la taza, bandeja de goteo

- Vacíe periódicamente la bandeja de goteo. Sabrá cuando esté llena, el flotador rojo situado en la parte central de la bandeja de goteo se subirá y se hará visible en el orificio central del soporte para tazas.
- 1 Lave y, después, seque bien.

salida del café

- Después de cada uso, compruebe que esta zona esté limpia y libre de posos de café. Limpie bien y, si es necesario, realice el siguiente procedimiento para limpiar mejor. Si no se mantiene esta zona limpia, la calidad del café se verá afectada y puede dañarse la unidad.
- 1 Con un destornillador , desatornille el tornillo que sujeta la salida del café (no quite la cubierta interior).
 - 2 Limpie la zona con un trapo húmedo.
 - 3 Limpie bien la salida retirada con agua caliente jabonosa y un cepillo. Aclare bien. Asegúrese de que los orificios no estén obstruidos, si fuera necesario, utilice un alfiler para limpiarlos.
 - 4 Realice el procedimiento inverso para volver a acoplar la salida.
Si no limpia la salida del café y los filtros tal como se ha descrito anteriormente, la garantía quedará anulada.

desincrustación

Se recomienda eliminar las incrustaciones de cal de la cafetera después de haber preparado 200 tazas de café.

- 1 Le recomendamos que compre un producto destinado específicamente para eliminar la cal incrustada en las cafeteras exprés. Utilice las cantidades recomendadas por el producto antical de marca registrada, pero no sobrepase la capacidad de 1 litro del depósito.
- 2 Asegúrese de que el portafiltros no esté acoplado a la cafetera, y coloque un bol bajo la salida del café y una jarra bajo la boquilla del vapor.
- 3 Apriete el botón de encendido/apagado, después apriete el botón del café y abra el botón de vapor variable girándolo hacia la izquierda y deje que una taza de agua salga por la boquilla del vapor. Cierre el botón de vapor variable y deje que una taza de agua salga por la salida del café. No espere a que la luz verde deje de parpadear.
- 4 Desconecte y desenchufe la cafetera y déjela parada durante 15 minutos.
- 5 Repita el paso 3 y deje que todo el producto antical salga de la máquina. Desconecte el aparato.
- 6 Enjuague bien el depósito y llénelo con agua fresca.
- 7 Siga el paso 3 dejando que el agua salga por la boquilla de agua caliente y también por la salida del café. Repita la operación con un depósito de agua fresca. Esto eliminará cualquier rastro del producto antical.

Las reparaciones por mal funcionamiento causado por una acumulación de cal en el producto no están cubiertas por la garantía si no se ha realizado regularmente el proceso de desincrustación.

servicio técnico y atención al cliente

- Si el cable está dañado, por razones de seguridad, debe ser sustituido por KENWOOD o por un técnico autorizado por KENWOOD.

Si necesita ayuda sobre:

- el uso del aparato o
- el servicio técnico o reparaciones

Póngase en contacto con el establecimiento en el que compró el aparato.

- Diseñado y creado por Kenwood en el Reino Unido.
- Fabricado en China.



ADVERTENCIAS PARA LA ELIMINACIÓN CORRECTA DEL PRODUCTO SEGÚN ESTABLECE LA DIRECTIVA EUROPEA 2002/96/CE.

Al final de su vida útil, el producto no debe eliminarse junto a los desechos urbanos. Puede entregarse a centros específicos de recogida diferenciada dispuestos por las administraciones municipales, o a distribuidores que faciliten este servicio. Eliminar por separado un electrodoméstico significa evitar posibles consecuencias negativas para el medio ambiente y la salud derivadas de una eliminación inadecuada, y permite reciclar los materiales que lo componen, obteniendo así un ahorro importante de energía y recursos. Para subrayar la obligación de eliminar por separado los electrodomésticos, en el producto aparece un contenedor de basura móvil tachado.

guía para la solución de problemas

problema	posible causa	solución
No sale café exprés de la cafetera.	<ul style="list-style-type: none"> • El café está húmedo y/o se ha presionado con demasiada firmeza en el filtro. • Los orificios de los pitorros del portafiltros están obstruidos. • La salida del café está obstruida. • El depósito no está bien acoplado y la válvula de la parte inferior no está abierta. • Los orificios en el dispositivo para crema están obstruidos. 	<ul style="list-style-type: none"> • Compruebe que esté utilizando café molido apropiado para las cafeteras exprés. Presione el café en el filtro con menos fuerza y cambie de café si fuera necesario. • Limpie los orificios de los pitorros. • Limpie tal como se indica en la sección "limpieza". • Presione ligeramente el depósito para abrir la válvula de la parte inferior. • Desmonte el dispositivo 8 para crema y limpie bien las piezas. Véase la sección "limpieza (del filtro)".
La cafetera exprés gotea por los bordes del portafiltros en vez de por los orificios.	<ul style="list-style-type: none"> • El portafiltros no está bien acoplado al aparato. • La junta del hervidor exprés ha perdido su elasticidad. • Los orificios de los pitorros del portafiltros están obstruidos. • Se ha puesto demasiado café en el filtro. 	<ul style="list-style-type: none"> • Vuelva acoplar el portafiltros, asegurándose de que está bien colocado y gírelo hacia la derecha. • Cambie la junta. Consulte la sección "servicio técnico y atención al cliente". • Limpie los orificios de los pitorros. • Disminuya la cantidad de café.
El café exprés está frío	<ul style="list-style-type: none"> • No se realizó el precalentamiento del aparato. • La luz verde indicadora de café preparado no estaba iluminada cuando se apretó el botón del café. 	<ul style="list-style-type: none"> • Siga las instrucciones sobre precalentamiento de la cafetera. • Espere hasta que la luz verde indicadora de café preparado deje de parpadear antes de apretar el botón del café.
La bomba hace demasiado ruido	<ul style="list-style-type: none"> • El depósito de agua está vacío. • El depósito no está bien acoplado y la válvula de la parte inferior no está abierta. 	<ul style="list-style-type: none"> • Llene el depósito de agua. • Presione el depósito ligeramente para abrir la válvula de la parte inferior.
La crema de café es de color claro y sale demasiado rápido.	<ul style="list-style-type: none"> • No se ha presionado lo suficiente el café molido. • No se ha utilizado suficiente cantidad de café molido. • Se ha echado demasiado café. • El café que se ha utilizado no es adecuado. 	<ul style="list-style-type: none"> • Presione el café con más firmeza. • Aumente la cantidad de café en el filtro. • Disminuya la cantidad de café administrada en la taza o las tazas. • Cambie el tipo de café utilizado.
La crema del café es de color oscuro y sale con demasiada lentitud.	<ul style="list-style-type: none"> • El café molido se ha presionado con demasiada firmeza. • La salida del café está obstruida. • Se ha utilizado demasiado café. • El café molido es demasiado fino. • El café que se ha utilizado no es adecuado. 	<ul style="list-style-type: none"> • Presione menos el café. • Limpie tal como se indica en la sección "limpieza". • Disminuya la cantidad. • Cambie el café y compre café adecuado para cafeteras exprés. • Cambie el café y compre café adecuado para cafeteras exprés.
El café tiene un sabor ácido.	<ul style="list-style-type: none"> • La cafetera no se ha lavado bien después de retirar las incrustaciones de cal. 	<ul style="list-style-type: none"> • Enjuague la cafetera cambiando varias veces el agua limpia y lave todos los componentes. Consulte "limpieza".
La leche no hace espuma cuando se hace un cappuccino	<ul style="list-style-type: none"> • La leche no está lo suficientemente fría. • La cafetera de cappuccino está sucia. 	<ul style="list-style-type: none"> • Utilice siempre leche de la nevera. • Pruebe leches con diferente contenido en grasa. • Limpie el tubo de suministro de vapor, así como la boquilla. Consulte "limpieza".

Fold forsiden med illustrationerne ud.

før første anvendelse

- 1 Læs denne brugervejledning nøje og opbevar den i tilfælde af, at du får brug for at slå noget op i den.
- 2 Fjern al emballage og mærkater.
- 3 Vask delene: se 'rengøring'.
- 4 Skyl maskinen igennem med rent vand: se 'før der laves kaffe for første gang'.

sikkerhed

- Fjern aldrig filterholderen, mens kaffen brygger eller damp produceres – damp kan sprøjte ud og skolde dig.
- Pas på du ikke brænder dig på:
 - varme dele, inkl. dampdysen, filterholderen eller kaffeudløbet.
 - damp, der kommer ud af dampdysen eller kaffe fra kaffeudløbet.
- Hold børn væk fra maskinen. Lad aldrig ledningen hænge ned, hvor et barn kan få fat i den.
- Anvend aldrig et beskadiget apparat. Få det efterset eller repareret: se 'service og kundeservice'.
- Kom aldrig maskinen i vand og lad ikke ledningen eller stikket blive våde – du kan få elektrisk stød.
- Tag stikket ud:
 - før der fyldes vand på
 - inden rengøring
 - efter brug.
- Gå aldrig fra maskinen, mens den er i brug.
- Undgå, at ledningen kommer i berøring med varme dele.
- Dette apparat er ikke tilsigtet brug af personer (inklusive børn) med reducerede fysiske, sansemæssige eller mentale evner, eller mangel på erfaring og kendskab, undtagen hvis de er blevet vejledt eller givet instrukser i brugen af apparatet af en person, der er ansvarlig for deres sikkerhed.
- Børn bør overvåges for at sikre, at de ikke leger med apparatet.
- Anvend kun apparatet til husholdningsbrug. Kenwood påtager sig ikke erstatningsansvar, hvis apparatet ikke anvendes korrekt eller disse instruktioner ikke følges.

vigtigt

- Anvend aldrig maskinen uden vand – da pumpen ellers vil blive ødelagt.
 - Opbevar maskinen ved en temperatur over 0°C – ellers kan vandet i maskinen fryse og beskadige den.
 - Brug aldrig maskinen uden drypbakken og kopstativet.
- inden stikket sættes i stikkontakten**
- Sørg for at din elforsyning er den samme som den, der er vist på din maskines underside.
 - Denne anordning er i overensstemmelse med EC-direktivet 2004/108/EC om elektromagnetisk forlidelighed og EU-regulativ nr.1935/2004 fra 27/10/2004 om materialer, der tilsigtes at få kontakt med fødevarer.

kend din Kenwood espressomaskine

- ① aftagelig vandbeholder
- ② låg
- ③ fingergreb til dampdysen
- ④ damprør
- ⑤ dampdysen
- ⑥ kaffeudløb
- ⑦ variabel dampknap
- ⑧ lille filter til afmåling af 1 kop eller kaffepude
- ⑨ flig
- ⑩ stort filter kun til afmåling af 2 kopper
- ⑪ kaffeknap
- ⑫ indikatorlys til når kaffen er klar
- ⑬ tændt/slukket-knap
- ⑭ indikatorlys til når dampen er klar
- ⑮ dampknap
- ⑯ drypbakke
- ⑰ svømmer
- ⑱ kopstativ
- ⑲ måleske/kaffestamper
- ⑳ filterholder
- ㉑ filtertømningsbøjle
- ㉒ opbevaringsbakke for kop

før der laves kaffe første gang

- 1 Sørg for at den variable dampknap står på lukket stilling ved at dreje med uret (stram ikke for meget).
 - 2 Løft låget og løft beholderen ud og fyld med koldt vand. Fyld aldrig over det afmærkede "MAX"-niveau. Eller løft låget og fyld beholderen, mens den er på sin plads.
 - Vi anbefaler, at der anvendes filtreret vand, da det giver bedre kaffe og mindre kedelsten. Brug aldrig vand med kulsyre eller anden væske.
 - 3 Sæt beholderen i igen. Sørg for, at den er anbragt korrekt og tryk evt. let ned for at sikre, at ventilen i bunden af beholderen er forbundet med maskinens bund.
- Vigtigt**
Brug aldrig maskinen uden vand i beholderen. Fyld op, så snart niveauet bliver lavt.
- 4 Luk låget.
 - 5 Hold i fingergrebet, og sving dampdysen ud og stil en kande under den.
 - 6 Sæt filterholderen fast på maskinen ved at anbringe den under kaffeudløbet og dreje mod højre ①. Sæt en skål af en passende størrelse nedenunder.
 - 7 Tilslut strømforsyningen og tryk dernæst på tændt/slukket-knappen og den vil lyse orange. På samme tid vil det grønne indikatorlys for at kaffen er klar blinke. Vent indtil den grønne lampe holder op med at blinke.
 - 8 Åbn for den variable dampknap ved at dreje mod uret, og tryk på kaffeknappen og lad en kop vand flyde ud af dampdysen. Luk for den variable dampknap og lad en kop vand flyde ud af kaffeudløbet og ned i skålen.
 - 9 Tryk på kaffeknappen for at stoppe flowet, og tryk så på tændt/slukket-knappen for at slukke for maskinen.
 - 10 Gentag disse trin, hvis du ikke har anvendt kaffemaskinen i et par dage.

forvarmning af kaffemaskinen

For at sikre, at espressokaffen har den rigtige temperatur, når den skænkes op, er det vigtigt at kaffeenheden forvarmes.

- 1 Kontrollér at den variable dampknap er tæt lukket (drej med uret), og at der er tilstrækkeligt med vand til at varme 1 eller 2 kopper efter behov.
- 2 Sæt det ønskede filter i filterholderen (uden kaffebønner, og det kontrolleres at fligen på filteret passer ind i rillen på filterholderen). Sæt fast på maskinen ved at anbringe den under kaffeudløbet og dreje mod højre ①. Sørg for at den sidder godt fast.
- 3 Sæt en kop under filterholderen. Hvis du bruger samme kop, som kaffen skal serveres i, vil den blive forvarmet.
- 4 Tryk på tændt/slukket-knappen og den vil lyse orange. På samme tid vil det grønne indikatorlys for at kaffen er klar blinke. Vent indtil den grønne lampe holder op med at blinke.
- 5 Tryk på kaffeknappen og den vil lyse orange, og varmt vand vil blive skænket op i koppen. Når det grønne indikatorlys for at kaffen er klar begynder at blinke igen, trykkes på kaffeknappen for at stoppe flowet.
- 6 Fjern filterholderen, og gå i gang med at lave kaffe, enten med malede kaffebønner eller kaffepuder.

sådan laver du espresso med malede kaffebønner

- 1 Forvarm maskinen som beskrevet på side 30.
- 2 Kontrollér at der er vand i beholderen.
- 3 Vælg det ønskede filter.
 - Anvend det mindre filter til at lave en kop kaffe (eller når der anvendes kaffepuder), og det større filter til 2 kopper.
- 4 Kom de malede kaffebønner i med den medfølgende måleske, en strøget skefuld pr. kop. Overfladen jævnes og presses dernæst let med kaffestamperen. Aftør evt. kaffe, der sidder omkring kanten.
 - Når du køber malet kaffe, skal du sørge for at den er egnet til espressomaskiner.
 - Pres aldrig kaffebønnerne for hårdt ned, da kaffen vil blokere filteret, og kaffen vil løbe for langsomt ud og crema'en vil blive for mørk. Men hvis de presses for let, vil kaffen løbes for hurtigt ud, og crema'en vil være for lys og kaffen vil smage af vand.
- 5 Sæt filterholderen i. Sørg for at fligen på filteret passer ind i rillen på filterholderen.
- 6 Sæt filterholdet på plads i kaffeudløbet. Drej den til højre for at låse den på plads ①.
 - Sæt 1 eller 2 kopper nedenunder ②. Hvis der kun laves 1 kop kaffe, skal koppen stilles i midten.
- 7 Tryk på tændt/slukket-knappen og vent til det grønne indikatorlys for at kaffen er klar holder op med at lyse, og tryk dernæst på kaffeknappen.

- 8 Når du har nok kaffe – ikke for meget, da den ellers vil blive for svag, trykkes på kaffe-knappen. Hvis du ikke laver mere kaffe, trykkes på tændt/slukket-knappen, for at slukke for maskinen. Tabellen nedenunder giver retningslinjer om hvor længe kaffe-knappen skal trykkes ned for at lave drinks af forskellig størrelse.

mængde	filter-størrelse	omtrentlig tid til aftapning
1 Espresso (40ml)	1 kop	12 sek.
2 x Espresso (40ml hver)	2 kopper	25 sek.
1 stor kop kaffe (125ml hver)	1 kop	32 sek.
2 store kopper kaffe (125ml hver)	2 kopper	65 sek.

- 9 Vent i 30 sekunder, og fjern så filterholderen ved at dreje mod venstre.
 ● Der kan være vand på filteret, når du fjerner det: dette er normalt
 10 Det brugte kaffegrums fjernes fra filterholderen ved at vende bøjen på håndtaget, så enden placeres oven på filteret ③. Hold bøjen på plads, og vend så enheden på hovedet og bank kaffegrumset ud ④.

Vigtigt

Fjern aldrig filterholderen, mens kaffe eller dampfunktionen er valgt – damp kan sprøjte ud og skolde dig.

sådan laver du kaffe med kaffepuder

Vigtigt

Hvis filteret til en kop skal anvendes efter der er anvendt malede kaffebønner, er det nødvendigt at fjerne kaffegrums rundt om kaffeudløbet. Dette er nødvendigt for at undgå vandutætheder fra filterholderen, og for at sikre optimal funktion. Pas på, da området kan være meget varmt.

- 1 Forvarm maskinen som beskrevet på side 30, og sæt det lille filter på plads i filterholderen.
- 2 Efter forvarmning fjernes filterholderen, og kaffepuden placeres i filteret ved at sørge for at puden vender den rigtige vej ⑤.
- 3 Pres puden ned i bundet af filteret og sørg for, at papirets kanter lægges op ad indersiden af filteret.
- 4 Puden skal være godt på plads i filteret og placeret i midten.
- 5 Sæt filterholderen ind i kaffeudløbet, og drej mod højre, til den låses på plads ①.
- 6 Følg så punkterne 'sådan laver du espresso'.
 Bemærk – brug puder med ESE_kompatibilitetsmærket.
 ● Følg altid vejledningen på emballagen til puderne, for den korrekte placering af puderne i filteret.



sådan opskummer du mælk til cappuccino

Lav espressoen som beskrevet tidligere

tip – hvis der laves mere end én cappuccino, laves alt kaffen først og dernæst laves den opskummede mælk til alle cappuccino'erne til sidst.

- 1 Sørg for at der er vand i beholderen.
- 2 Sørg for at den variable dampkontrol er lukket.
- 3 Tryk på tændt/slukket-knappen og den vil lyse orange.
- 4 Tryk på dampknappen, og det røde dampindikatorlys vil blinke.
- 5 Vent indtil den røde lampe lyser hele tiden, for at angive at enheden har nået op på den rigtige temperatur.
- 6 Fyld en kande delvist med mælk – mælken kan komme til at fylde 3 gange så meget, så vælg en kande af passende størrelse. Normalt anvendes 40-60 ml mælk pr. cappuccino.
 ● Koldt letmælk giver det bedste resultat.
- 7 Hold kanden med den ene hånd og placér dysen i mælken, og sørg for at mælken ikke er over samlingen på dysen.
- 8 Den variable dampknop åbnes ved at dreje den mod uret. Mælken vil begynde at udvide sig og skumme ⑥. Højden på kanden justeres, så enden af dysen hele tiden er under mælkens overflade. Efter 20-25 sekunder vil mælken være dampet og opskummet.
- 9 Stop dampen ved at dreje den variable dampknop med uret.
 ● Lad aldrig mælken koge, da det vil ødelægge kaffens smag.
- 10 Tryk på dampknappen.
- 11 Hæld den opskummede mælk op i kopperne med espressokaffe. For coffee latte holdes skummet tilbage, og kun den dampede mælk tilsættes.
Vigtigt – Brug aldrig dampdysen længere end 2 minutter ad gangen, og rengør altid dysen efter brug.
- 12 Tryk på tændt/sluk-knappen for at slukke.

sådan laver du espresso efter opskumning af mælk

Vigtigt

Fjern aldrig filterholderen fra huset, lige efter du har anvendt dampfunktionen.

Hvis du laver espresso lige efter du har opskummet mælk, skal du først sørge for at blive af med evt. overopvarmet vand, da det ellers kan brænde kaffen.

Det gøres på følgende måde:-

- 1 Sluk for dampknappen.
- 2 Sørg for at der er vand i beholderen, og placér en kanden under dampdysen.
- 3 Den variable dampknop åbnes ved at dreje mod uret, og trykke på kaffe-knappen (vand/damp vil komme ud af dampdysen). Vent indtil den grønne lampe blinker, og luk dernæst for den variable dampknop og sluk for kaffe-knappen.
- 4 Vent lidt længere, indtil den grønne lampe lyser konstant. Når dette sker, er maskinen klar til at lave kaffe.

rengøring

dampdysen

Før dampdysen rengøres, skal du lade noget varmt vand flyde ud af dysen for at hjælpe med rengøringsproceduren. Dette bør gøres straks efter at dampen er aftappet. Det gøres på følgende måde:-

- 1 Sørg for at der er vand i beholderen, og en kande er placeret under dampdysen.
- 2 Sluk for dampknappen.
- 3 Dampknappen åbnes ved at dreje den mod uret.
- 4 Tryk på kaffe-knappen og lad den køre i ca. 10 sekunder for at lade varmt vand passere gennem dysen.
- 5 Sluk for kaffe-knappen, og luk dernæst den variable dampknop ved at dreje med uret.
- 6 Tryk på tændt/sluk-knappen for at slukke for maskinen.

- For yderligere rengøring trækkes stikket ud og alt lades køle af.
- Nedsænk aldrig maskinen i vand.
- Delene må ikke vaskes i opvaskemaskinen.

dampdysen

- 1 Dysen skrues af ved at dreje med uret, og vaskes derefter grundigt. Kontrollér at de 3 indikerede huller ikke er blokeret ⑬. Hvis de er det, skal de renses med en nål.
- 2 Rengør damprøret. Sørg for at enden ikke er blokeret.
- 3 Dysen skrues på røret igen.

beholder, låg og filterholder

- Vask, skyl og lad tørre.

filter (version til 1 eller 2 kopper)

- Vask og tør af efter hver brug.
- Når de har været anvendt ca. 100 gange, skal de skilles ad og rengøres mere grundigt, som beskrevet nedenfor.
- Dækslet på undersiden af filteret fjernes ved at dreje i den viste retning ⑦. Crema-anordningen fjernes ved at skubbe op nedenfra ⑧. Adskil delene af crema-anordningen ved at trække tætningsringen til side ⑨ og fjern plasticskinnen og metalfilteret ⑩. Delene skylles grundigt. Rengør metalfilteret i varmt vand med en børste ⑪. Sørg for at hullerne i metalfilteret ikke er blokeret. Hvis nødvendigt rengøres med en nål ⑫. Tør delene og saml dem igen. Sørg for at de samles rigtigt.

kopstativ, drypbakke

- Tøm drypbakken med jævne mellemrum. Du kan se, når den er fuld, fordi den røde svømmer i midten af drypbakken vil stige op og blive synlig i midterhullet på kopstativet.

- 1 Vask og tør efter.

kaffeudløb

- Efter hver brug skal det kontrolleres at dette område er rent og uden kaffegrums. Tør over og hvis det er nødvendigt udføres den følgende procedure for at rengøre mere grundigt. Hvis dette område ikke holdes rent, vil til påvirke kvaliteten af den bryggede kaffe, og enheden kan beskadiges.

- 1 Med en skruetrækker ⑭ skrues skrueerne, som holder kaffeafløbet på plads, af (lad være med at fjerne det indre betræk).
- 2 Rengør området med en tør klud.
- 3 Rengør det afmonterede udløb grundigt i varmt sæbevand med en børste. Skyl grundigt efter. Sørg for at hullerne ikke er blokeret, hvis det er nødvendigt anvendes en nål til rengøring.

- 4 Udfør denne fremgangsmåde i omvendt rækkefølge, for at sætte udløbet på igen.

Hvis kaffeudløbet og filtrene ikke rengøres som beskrevet, gælder garantien ikke.

afkalkning

Det anbefales at afkalke kaffemaskinen, når der er brygget 200 kopper kaffe.

- 1 Vi anbefaler at købe et produkt, der er specielt beregnet til afkalkning af espresso-maskiner. Anvend de mængder, der anbefales af producenten af afkalkeren, men overskrid ikke beholderens kapacitet på 1 liter.
- 2 Sørg for at filterholderen ikke er sat på, og anbring en skål under kaffeudløbet, og en kande under dampdysen.
- 3 Tryk på tændt/slukket-knappen, og tryk på kaffeknappen og åbn for den variable dampknap ved at dreje mod uret, og lad 1 kop vand flyde ud af dampdysen. Luk for den variable dampknap, og lad en kop vand flyde ud af kaffeudløbet. Lad være med at vente på at den grønne lampe holder op med at blinke.
- 4 Sluk for kaffemaskinen og træk stikket ud, og lad maskinen stå i 15 minutter.
- 5 Gentag trin 3 og lad al afkalkningsopløsningen flyde ud af maskinen. Sluk for maskinen.
- 6 Tør beholderen grundigt af og fyld beholderen med frisk vand.
- 7 Følg trin 3 og lad vandet skylle ud af varmtvandsdysen og også ud af kaffeudløbet. Gentag med en beholder med frisk vand. Dette vil fjerne alle spor af afkalkeren.

Reparationer efter fejlfunktion, som skyldes en ophobning af kalk i maskinen er ikke dækket af garantien, hvis maskinen ikke afkalkes med jævne mellemrum.

service og kundepleje

- Hvis ledningen er beskadiget, skal den af sikkerhedsgrunde udskiftes af KENWOOD eller en autoriseret KENWOOD-reparatør.

Hvis du har brug for hjælp med:

- at bruge apparatet eller
- servicering eller reparation

Kontakt den butik hvor du oprindeligt købte dit produkt.


- Designet og udviklet af Kenwood i Storbritannien.
- Fremstillet i Kina.



VIGTIG INFORMATION ANGÅENDE BORTSKAFFELSE AF PRODUKTET I OVERENSSTEMMELSE MED EF DIREKTIV 2002/96/CE.

Ved afslutningen af dets produktive liv må produktet ikke bortskaffes som almindeligt affald. Det bør afleveres på et specialiseret lokalt genbrugscenter eller til en forhandler, der yder denne service. At bortskaffe et elektrisk husholdningsapparat separat gør det muligt at undgå eventuelle negative konsekvenser for miljø og helbred på grund af upassende bortskaffelse, og det giver mulighed for at genbruge de materialer det består af, og dermed opnå en betydelig energi- og ressourcebesparelse. Som en påmindelse om nødvendigheden af at bortskaffe elektriske husholdningsapparater separat, er produktet mærket med en mobil affaldsbeholder med et kryds.

problemløsning

problem	mulig årsag	løsning
Der kommer ingen espresso-kaffe ud af maskinen.	<ul style="list-style-type: none"> • De maledede kaffebønner er fugtige og/eller presset for hårdt sammen i filteret. • Hullerne i filterholderens tude er blokeret. • Kaffeudløbet er blokeret. • Beholderen er sat forkert i, og ventilen i bunden er ikke åben. • Hullerne i crema-anordningen er blokeret. 	<ul style="list-style-type: none"> • Kontrollér at du anvender maledede kaffebønner, som er egnet til espressomaskiner. Pres ikke kaffen så hårdt sammen i filteret, eller anvend en anden kaffemaling, hvis det er nødvendigt. • Rengør hullerne i tudene • Rengør som anført i afsnittet 'rengøring'. • Tryk let ned på beholderen for at åbne ventilen i bunden • Skil crema-anordningen ad  og rengør dele grundigt. Se 'rengøring (filter)'.
Espresso-kaffen drypper fra filterholderens kanter i stedet for hullerne.	<ul style="list-style-type: none"> • Filterholderen er sat forkert i maskinen. • Espressokedlens tætningsring har mistet sin elasticitet. • Hullerne i filterholderens tude er blokeret. • Der er for mange kaffebønner i kaffefilteret. 	<ul style="list-style-type: none"> • Sæt filterholderen i igen, og sørg for at den kommer til at sidde rigtigt, og drej til højre. • Få tætningsringen udskiftet. Se Service og kundeservice. • Rens hullerne i tudene. • Reducér mængden af kaffebønner.
Espresso-kaffen er kold	<ul style="list-style-type: none"> • Maskinen blev ikke forvarmet. • Det grønne indikatorlys for at kaffen er klar lyste ikke, da der blevet trykket på kaffe knappen. 	<ul style="list-style-type: none"> • Følg anvisningerne vedrørende forvarmning af kaffemaskinen. • Vent indtil det grønne indikatorlys for at kaffen er klar holder op med at blinke, før der trykkes på kaffe knappen.
Pumpen støjer for meget.	<ul style="list-style-type: none"> • Vandbeholderen er tom. • Beholderen er sat forkert i, og ventilen i bunden er ikke åben. 	<ul style="list-style-type: none"> • Fyld vandbeholderen med vand. • Tryk let ned på beholderen for at åbne ventilen i bunden
Kaffens crema er for lys i farven og løber for hurtigt ud.	<ul style="list-style-type: none"> • De maledede kaffebønner er ikke blevet presset nok sammen. • Der er ikke blevet anvendt nok maledede kaffebønner. • For meget kaffe har løbet igennem. • De anvendte kaffebønner er ikke egnet. 	<ul style="list-style-type: none"> • Pres de maledede kaffebønner hårdere sammen. • Kom flere maledede kaffebønner i filteret. • Kom mindre færdig kaffe i koppen (kopperne). • Brug en anden type kaffebønner.
Kaffens crema er for mørk og løber for langsomt ud.	<ul style="list-style-type: none"> • De maledede kaffebønner er blevet presset for hårdt sammen. • Kaffeudløbet er blokeret. • Der er anvendt for mange maledede kaffebønner. • Kaffebønnerne er malet for fint. • De anvendte kaffebønner er ikke egnet. 	<ul style="list-style-type: none"> • Pres ikke de maledede kaffebønner så hårdt sammen. • Rengør som anført i afsnittet 'rengøring'. • Brug en mindre mængde. • Anvend en anden type kaffe, og køb en, der er egnet til espressomaskiner. • Anvend en anden type kaffe, og køb en, der er egnet til espressomaskiner.
Kaffen har en sur smag.	<ul style="list-style-type: none"> • Maskinen er ikke skyllet grundigt igennem efter afkalkning. 	<ul style="list-style-type: none"> • Skyl maskinen igennem med flere hold rent vand, og skyl alle delene, se 'rengøring'.
Mælken skummer ikke, når der laves cappuccino.	<ul style="list-style-type: none"> • Mælken er ikke kold nok. • Cappuccinoenheden er snavset. 	<ul style="list-style-type: none"> • Brug altid mælk direkte fra køleskabet. • Prøv at bruge mælk med et andet fedtindhold. • Rengør damprøret såvel som dysen. Se 'rengøring'

Vik ut främre omslaget med bilderna.

innan du använder maskinen för första gången

- 1 Läs bruksanvisningen noggrant och spara den för framtida bruk.
- 2 Avlägsna allt emballage och alla etiketter.
- 3 Diska delarna: Se "rengöring".
- 4 Skölj maskinen med rent vatten: se "innan du brygger kaffe för första gången".

säkerhet

- Avlägsna aldrig filterhållaren medan kaffet bryggs eller medan ånga bildas – du kan då bränna dig på varm ånga.
- Se upp för brännskador från:
 - varma delar, inklusive ångmunstycket, filterhållaren och kaffeutloppet.
 - ånga från ångmunstycket eller kaffe från kaffeutloppet.
- Se till att barn inte kommer i närheten av maskinen. Låt aldrig sladden hänga ned så att ett barn kan få tag på den.
- Använd inte maskinen om den är skadad. Lämna den för kontroll eller reparation. Se "service och kundtjänst".
- Doppa aldrig maskinen i vatten och låt inte nätsladden eller stickkontakten bli våt – du kan få en elstöt.
- Dra ut stickkontakten:
 - innan du fyller på vatten
 - före rengöring
 - efter användning.
- Lämna aldrig maskinen utan uppsikt.
- Låt inte sladden komma i kontakt med varma delar.
- Den här apparaten är inte avsedd för användning av personer (inklusive barn) med begränsad fysisk eller mental förmåga eller begränsad känsel. Den är inte heller avsedd för användning av personer med bristande erfarenhet eller kunskap, om de inte övervakas eller får instruktioner om hur apparaten ska användas av en person som ansvarar för deras säkerhet.
- Barn får inte lov att leka med apparaten. Lämna dem inte ensamma med den.
- Använd apparaten endast för avsett ändamål i hemmet. Kenwood tar inte på sig något ansvar om apparaten används på felaktigt sätt eller om dessa instruktioner inte följs.

viktigt

- Använd aldrig utan vatten – då går pumpen sönder.
- Förvara maskinen vid temperaturer över 0°C – annars kan vatten i maskinen frysa och orsaka skador.
- Använd aldrig utan dropptråget och kopphållaren.

innan du sätter i stickkontakten

- Se till att nätspänningen motsvarar den som visas på maskinens undersida.
- Den här apparaten följer EU-direktiv 2004/108/EG om elektromagnetisk kompatibilitet och EU:s förordning nr 1935/2004 från 2004-10-27 om material som är avsedda för kontakt med livsmedel.

lär känna din espressomaskin från Kenwood

- ① löstagbar vattentank
- ② lock
- ③ grepp för ångmunstycke
- ④ ångrör
- ⑤ ångmunstycke
- ⑥ kaffeutlopp
- ⑦ reglage för inställning av ångmängd
- ⑧ litet filter för 1 kopp eller portionsförpackning med kaffe (pod)
- ⑨ filik
- ⑩ stort filter för 2 koppar
- ⑪ kaffe knapp
- ⑫ indikatorlampa för att kaffet är klart
- ⑬ ON/OFF-knapp
- ⑭ indikatorlampa för att ångan är klar
- ⑮ ångknapp
- ⑯ dropptråg
- ⑰ flottör
- ⑱ kopphållare
- ⑲ mätsked/kaffe press
- ⑳ filterhållare
- ㉑ spak för filtertömning
- ㉒ plats för koppförvaring

innan du kokar kaffe för första gången

- 1 Kontrollera att reglaget för inställning av ångmängden är stängt genom att skruva det medurs (dra inte åt för hårt).
- 2 Lyft på locket, lyft sedan ut tanken och fyll den med kallt vatten. Fyll inte över MAX-nivån. Du kan även lyfta på locket och fylla på tanken medan den sitter på plats.
 - Vi rekommenderar att du använder filterrat vatten eftersom det ger bättre kaffe och minskar förkalkningen. Använd aldrig kolsyrat vatten eller annan vätska.
- 3 Sätt tillbaka tanken. Kontrollera att den sitter korrekt och tryck vid behov lätt på den för att säkerställa att ventilen i botten av tanken är ansluten till maskinens botten.
Viktigt
Använd aldrig maskinen utan vatten i tanken. Fyll på så snart nivån blir låg.
- 4 Stäng locket.
- 5 Fatta tag i greppet och sväng ut ångmunstycket och placera en kopp under det.
- 6 Montera filterhållaren på maskinen genom att placera den under kaffeutloppet och vrida åt höger ①. Placera ett kärl av lämplig storlek under.
- 7 Sätt i stickkontakten och tryck sedan på ON/OFF-knappen. Den lyser då orange. Samtidigt blinkar den gröna indikatorn som visar att kaffet är klart. Vänta tills den gröna lampan slutar blinka.
- 8 Öppna reglaget för inställning av ångmängden genom att vrida moturs och tryck på kaffe knappen och låt en kopp vatten rinna ut genom ångmunstycket. Stäng reglaget för inställning av ångmängden och låt en kopp vatten rinna ut genom kaffeutloppet i kärlet.
- 9 Tryck på kaffe knappen för att stoppa flödet, tryck sedan på ON/OFF-knappen för att stänga av maskinen.
- 10 Upprepa de här stegen om du inte har använt kaffemaskinen på några dagar.

förvärma kaffemaskinen

För att espresson ska bryggas vid rätt temperatur måste du förvärma kaffeenheten.

- 1 Kontrollera att reglaget för inställning av ångmängden är åtdraget (vrid medurs) och att det finns tillräckligt med vatten för att värma 1 eller 2 koppar.
- 2 Montera önskat filter i filterhållaren (utan kaffe – kontrollera att filiken på filtret ligger i urpassningen på filterhållaren). Montera det på kaffemaskinen genom att placera det under kaffeutloppet och vrida åt höger ①. Kontrollera att det sitter ordentligt.
- 3 Placera en kopp under filterhållaren. Om du använder samma kopp som du ska servera kaffet i kan du vara säker på att den förvärms.
- 4 Tryck på ON/OFF-knappen. Den lyser då orange. Samtidigt blinkar den gröna indikatorn som visar att kaffet är klart. Vänta tills den gröna lampan slutar blinka.
- 5 Tryck på kaffe knappen. Den lyser då orange. Varmt vatten rinner ned i koppen. När den gröna knappen som visar att kaffet är klart blinkar igen trycker du på kaffe knappen för att stoppa flödet.
- 6 Avlägsna filterhållaren och brygg kaffe med malet kaffepulver eller portionsförpackat kaffe.

så här brygger du espresso med malet kaffepulver

- 1 Förvärm maskinen enligt beskrivningen på sidan 34.
- 2 Kontrollera att det finns vatten i tanken.
- 3 Välj filter.
 - Använd det mindre filtret för att laga en kopp kaffe (eller vid användning av portionsförpackat kaffe) och det större filtret för 2 koppar.
- 4 Tillsätt kaffet med den medföljande kaffeskeden (en sked per kopp), jämna till ytan och tryck sedan lätt med kaffe pressen. Torka av eventuellt kaffe runt kanten.
 - När du köper malet kaffe ska du kontrollera att det är avsett för espressomaskiner.
 - Tryck aldrig för hårt på kaffet. Då blockeras filtret och kaffet rinner ut mycket långsamt och crema får en mörk färg. Om du däremot trycker för löst, rinner kaffet ut för snabbt och crema får en ljus färg och kaffet smakar vattnigt.
- 5 Montera filterhållaren. Kontrollera att filiken på filtret ligger i urpassningen på filterhållaren.
- 6 Montera filterhållaren på kaffeutloppet. Vrid den åt höger för att låsa den på plats ①.
 - Placera en eller två koppar under ②. Om du brygger en kopp av kaffe ska du ställa koppen i mitten.

- Tryck på ON/OFF-knappen och vänta tills den gröna indikatorn för att kaffet är klart slutar att blinka. Tryck sedan på kaffeknappen.
- När du har tillräckligt med kaffe – inte för mycket då blir det för svagt, trycker du på kaffeknappen. Om du inte ska brygga mer kaffe trycker du på ON/OFF-knappen för att stänga av maskinen. Diagrammet nedan visar en översikt över hur länge du ska hålla kaffeknappen intryckt för att tillaga olika mängder dryck.

mängd	filterstorlek	ungefärlig tid
1 espresso (40 ml)	1 kopp	12 sek
2 espresso (40 ml vardera)	2 koppar	25 sek
1 stor kaffe (125 ml)	1 kopp	32 sek
2 stora kaffe (125 ml vardera)	2 koppar	65 sek

- Vänta i 30 sekunder och avlägsna sedan filterhållaren genom att vrida den åt vänster.
 - Det kan finnas vatten i filtret när du tar bort det: Det är normalt.
- Avlägsna kaffesumpen ur filterhållaren genom att vända spaken på handtaget så att änden befinner sig över filtret ③. Håll spaken i denna position och vänd sedan enheten upp och ned och knacka ur sumpen ④.

Viktigt

Avlägsna aldrig filterhållaren när kaffe- eller ångfunktionen har valts – ånga kan tränga ut och orsaka brännskador.

så här brygger du kaffe med portionsförpackningar

Viktigt

Om filtret för en kopp används efter att du bryggt kaffe med malt kaffepulver, måste du avlägsna all kaffesump från kaffeutloppet. Detta måste du göra för att undvika vattenläckage från filterhållaren och för att garantera bästa resultat. Var försiktig, området kan vara varmt.

- Förvärm maskinen enligt beskrivningen på sidan 34 och montera det lilla filtret i filterhållaren.
- Efter förvärmningen ska du avlägsna filterhållaren och placera portionsförpackningen med kaffe i filtret. Kontrollera att den är vänd åt rätt håll ⑤.
- Tryck portionsförpackningen mot den nedre delen av filtret. Kontrollera att pappersflikarna ligger an mot den inre delen av filtret.
- Portionsförpackningen måste placeras i mitten och tryckas ned i filtret.
- Montera filterhållaren på kaffeutloppet och vrid åt höger tills den låser på plats ①.
- Följ anvisningarna för att brygga espresso. Obs! Använd portionsförpackningar som motsvarar ESE-standarden.
 - Följ alltid anvisningarna på emballaget till portionsförpackningarna för korrekt placering av portionsförpackningarna i filtret.



så här skummar du mjölk för cappuccino

Brygg espresson enligt de tidigare anvisningarna.

tips - om du vill brygga fler än en cappuccino ska du först göra allt kaffe och sedan tillreda den skummade mjölken för alla cappuccino.

- Kontrollera att det finns vatten i tanken.
- Kontrollera att reglaget för variabel ångmängd är stängt.
- Tryck på ON/OFF-knappen. Den lyser då orange.
- Tryck på ångknappen. Den röda indikatorlampan för ånga blinkar.
- Vänta tills den röda lampan lyser med ett fast sken som tecken på att enheten nått rätt temperatur.
- Häll mjölk i en mugg – mjölken kan öka i volym upp till tre gånger så välj en stor mugg. Du bör använda cirka 40-60 ml mjölk per cappuccino.
 - Kall mellanmjölk ger de bästa resultaten.
- Håll muggen i en hand och placera munstycket i mjölken. Kontrollera att mjölken inte når över skarven på munstycket.
- Öppna reglaget för inställning av ångmängden genom att vrida det moturs. Mjölken ökar i volym och blir skummig ⑥. Anpassa muggens höjd och kontrollera att spetsen på munstycket ligger ovanför mjölkens yta. Efter 20-25 sekunder är mjölken ångad och skummig.
- Stoppa ångan genom att vrida reglaget för inställning av ångmängden medurs.
 - Låt inte mjölken koka. Då förstörs kaffets smak.
- Tryck på ångknappen.
- Häll den skummade mjölken i kopparna med espressokaffet. För kaffelatte ska du enbart tillsätta den ångade mjölken, inte skummet.

Viktigt – använd inte ångmunstycket längre än 2 minuter i följd och rengör alltid munstycket efter användning.

- Stäng av genom att trycka på ON/OFF-knappen.

så här brygger du espresso efter att du skummat mjölk

Viktigt

Avlägsna aldrig filterhållaren direkt efter att du använt ångfunktionen.

Om du brygger espresso efter att du skummat mjölk måste du avlägsna hett vatten som kan bränna kaffet. Gör så här:

- Stäng av ångknappen.
- Kontrollera att det finns vatten i tanken och placera en mugg under munstycket för ånga.
- Öppna reglaget för inställning av ångmängden genom att vrida moturs och tryck på kaffeknappen (vatten/ånga rinner ut genom ångmunstycket). Vänta tills den gröna lampan blinkar och stäng sedan reglaget för variabel ångmängd och stäng av kaffeknappen.
- Vänta tills den gröna lampan lyser med fast sken. Nu kan du brygga kaffe.

rengöring

ångmunstycke

Innan du rengör ångmunstycket ska du låta varmt vatten rinna ut genom kaffeutloppet för att underlätta rengöringen. Gör detta direkt efter att du använt ångfunktionen. Gör så här:

- Kontrollera att det finns vatten i tanken och att en kopp är placerad under ångmunstycket.
- Stäng av ångknappen.
- Öppna ångreglaget genom att vrida det moturs.
- Tryck på kaffeknappen och kör i cirka 10 sekunder så att varmt vatten rinner genom munstycket.
- Stäng av kaffeknappen och stäng sedan ångreglaget genom att vrida medurs.
- Stäng av maskinen genom att trycka på ON/OFF-knappen.

- Dra ut stickkontakten och låt maskinen svalna innan du rengör den ytterligare.
- Doppa den aldrig i vatten.
- Diska inte delarna i diskmaskin.

ångmunstycket

- Skruva loss munstycket genom att vrida det medurs och diska det sedan noggrant. Kontrollera att de 3 indikerade hålen inte är blockerade ⑬. Använd eventuellt ett stift för att rengöra dem.
- Rengör ångröret. Kontrollera att änden inte är blockerad.
- Skruva på munstycket på röret igen.

tank, lock, filterhållar

- Diska, skölj och låt torka.

filter (version för en och två koppar)

- Diska och torka efter varje användning.
- Demontera efter cirka 100 användningstillfällen och rengör noggrant enligt beskrivningen nedan.
- Skruva loss locket från filtrets undersida genom att vrida det i den angivna riktningen ⑦. Avlägsna crema-enheten genom att trycka uppåt från undersidan ⑧. Ta isär komponenterna i crema-enheten genom att dra packningen åt sidan ⑨ och avlägsna plastskivan och metallfiltret ⑩. Skölj delarna grundligt. Rengör metallfiltret i varmt vatten med en borste ⑪. Kontrollera att hålen i metallfiltret inte är blockerade. Använd eventuellt ett stift ⑫ för att rengöra dem. Torka delarna och återmontera dem sedan korrekt.

kopphållare, dropptråg

- Töm dropptråget regelbundet. Det är fullt när flottören i mitten av dropptråget flyter upp och syns i hålet i kopphållaren.

- Diska och torka torrt.

kaffeutlopp

- Kontrollera att det inte finns någon sump i området efter varje användningstillfälle. Torka torrt och utför vid behov följande procedur för att rengöra grundligare. Om du inte håller rent i det här området påverkas kaffekvaliteten och enheten kan skadas.
- Använd en skruvmejsel ⑭ och skruva loss den skruv som håller kaffeutloppet på plats (avlägsna inte innerhöljet).
 - Torka av området med en fuktig trasa.
 - Rengör uttaget grundligt i varmt vatten med diskmedel och använd en borste. Skölj grundligt. Kontrollera att hålen inte är blockerade. Rengör dem vid behov med ett stift.
 - Återmontera utloppet i omvänd ordning. Om du inte rengör kaffeutloppet och filtren enligt beskrivningen upphör garantin att gälla.

avkalkning

Du bör avkalka kaffemaskinen när du bryggt 200 koppar kaffe.

- 1 Du bör köpa en produkt som är avsedd särskilt för avkalkning av espressomaskinen. Använd de mängder som rekommenderas för avkalkningsprodukten men överskrid inte tankkapaciteten på 1 liter.
- 2 Kontrollera att filterhållaren inte är monterad och placera ett kärl under kaffeutloppet och en mugg under ångmunstycket.
- 3 Tryck på ON/OFF-knappen och tryck sedan på kaffeknappen och öppna ångmunstycket genom att vrida moturs. Låt 1 kopp vatten rinna ut genom ångmunstycket. Stäng ångmunstycket och låt 1 kopp vatten rinna ut genom kaffeutloppet. Vänta inte på att den gröna lampan ska sluta blinka.
- 4 Stäng av och dra ut kaffemaskinens stickkontakt. Låt maskinen stå i 15 minuter.
- 5 Upprepa steg 3 och låt allt avkalkningsmedel rinna ut ur maskinen. Stäng av den.
- 6 Skölj tanken grundligt och fyll på med rent vatten.
- 7 Följ steg 3 och låt vattnet rinna ut ur vattenmunstycket och kaffeutloppet. Upprepa med en tank rent vatten. Det avlägsnar alla spår av avkalkningsmedlet.

Reparationer som orsakas av fel på grund av kalkavlagringar i produkten omfattas inte av garantin om avkalkning inte utförts regelbundet.

service och kundtjänst

- Om sladden är skadad måste den av säkerhetsskäl bytas ut av KENWOOD eller av en auktoriserad KENWOOD-reparatör.

Om du behöver hjälp med:

- att använda apparaten eller
 - service eller reparationer
- Kontakta återförsäljaren där du köpte apparaten.
- Konstruerad och utvecklad av Kenwood i Storbritannien.
 - Tillverkad i Kina.

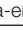


VIKTIG INFORMATION FÖR KORREKT BORTSKAFFNING AV PRODUKTEN I ÖVERENSSTÄMMELSE MED EU-DIREKTIV 2002/96/EG.

När produktens livslängd är över får den inte slängas i hushållssoporna. Den kan överlämnas till lokala myndigheters avfallssorteringscentraler eller till en återförsäljare som ger denna service.

När du avfallshanterar en hushållsmaskin på rätt sätt undviker du de negativa konsekvenser för miljön och hälsan som kan uppkomma vid felaktig avfallshandling. Du möjliggör även återvinning av materialen vilket innebär en betydande besparing av energi och tillgångar.

felsökningsguide

problem	möjlig orsak	lösning
Espressokaffe rinner inte ur maskinen.	<ul style="list-style-type: none"> • Kaffet är fuktigt och/eller för hårt nedpressat i filtret. • Hålen i filterhållaren blockerade. • Kaffeutloppet är blockerat. • Tanken är felaktigt monterad och ventilen i botten är inte öppen. • Hålen i crema-enheten är blockerade. 	<ul style="list-style-type: none"> • Kontrollera att du använder kaffe som är avsett för espressomaskiner. Tryck lättare på kaffet i filtret och byt vid behov malning. • Rengör hålen. • Rengör enligt anvisningarna i avsnittet Rengöring. • Tryck lätt på tanken så att ventilen i botten öppnas. • Demontera crema-enheten  och rengör delarna noggrant. Se avsnittet Rengöring (filter)
Espressokaffe droppar från filterhållarens kanter istället för från hålen.	<ul style="list-style-type: none"> • Filterhållaren är felaktigt monterad på maskinen. • Espressokokarens packning har förlorat sin elasticitet. • Hålen i filterhållaren blockerade. • För mycket kaffe har placerats i kaffefiltret. 	<ul style="list-style-type: none"> • Återmontera filterhållaren, kontrollera att den är korrekt monterad och vrid den åt höger. • Byt ut packningen. Läs mer i avsnittet Kundvård • Rengör hålen. • Minska kaffemängden.
Espressokaffet är kallt.	<ul style="list-style-type: none"> • Maskinen har inte förvärmats. • Den gröna lampan som visar att kaffet är klart lyste inte när kaffe knappen trycktes in. 	<ul style="list-style-type: none"> • Följ anvisningarna för förvärmning av maskinen. • Följ anvisningarna för förvärmning av maskinen. Vänta tills den gröna lampan som visar att kaffet är klart lyser innan du trycker på kaffe knappen.
Pumpen bullrar.	<ul style="list-style-type: none"> • Vattentanken är tom. • Tanken är felaktigt monterad och ventilen i botten är inte öppen. 	<ul style="list-style-type: none"> • Fyll tanken med vatten. • Tryck lätt på tanken så att ventilen i botten öppnas.
Crema har ljus färg och kaffet rinner ut för snabbt.	<ul style="list-style-type: none"> • Du har inte pressat ned det malda kaffet tillräckligt hårt. • Du har använt för lite kaffe. • För mycket kaffe har tömts upp. • Du har använt fel typ av kaffe. 	<ul style="list-style-type: none"> • Tryck hårdare på kaffet. • Öka kaffemängden i filtret. • Töm upp en mindre kaffemängd i koppen/kopparna. • Byt kaffetyp.
Crema har mörk färg och kaffet rinner ut för långsamt.	<ul style="list-style-type: none"> • Du har tryckt för hårt på det malda kaffet. • Kaffeutloppet är blockerat. • För mycket kaffe har använts. • Kaffet är för finmalet. • Du har använt fel typ av kaffe. 	<ul style="list-style-type: none"> • Tryck lösare på kaffet. • Rengör enligt anvisningarna i avsnittet Rengöring. • Minska kaffemängden. • Byt kaffetyp och köp en sort som är avsedd för espressomaskiner. • Byt kaffetyp och köp en sort som är avsedd för espressomaskiner.
Kaffet smakar beskt.	<ul style="list-style-type: none"> • Maskinen har inte sköljts ordentligt efter avkalkningen. 	<ul style="list-style-type: none"> • Skölj maskinen med flera omgångar rent vatten och diska alla komponenter, se Rengöring.
Mjölken skummar inte vid brygning av cappuccino.	<ul style="list-style-type: none"> • Mjölken är inte tillräckligt kall. • Cappuccino-enheten är smutsig. 	<ul style="list-style-type: none"> • Använd alltid mjölk som stått i kylskåp. • Använd mjölk med en annan fetthalt. • Rengör ångröret samt munstycket. Se Rengöring.

Brett ut framsiden med illustrasjoner

før du trakter kaffe for første gang

- 1 Les nøye gjennom denne bruksanvisningen og ta vare på den slik at du kan slå opp i den senere.
- 2 Fjern all emballasje og eventuelle merkesedler.
- 3 Vask delene: se "rengjøring".
- 4 Skyll trakteren med rent vann: se "før du trakter kaffe for første gang".

sikkerhet

- Ikke ta ut filterholderen mens kaffen trakter eller det produseres damp – det kan plutselig komme damp ut og brenne deg.
- Ikke brenn deg på:
 - varme deler, inkludert dampdysen, filterholderen og kaffeutløpet.
 - damp som kommer ut av dampdysen eller kaffe fra kaffeutløpet.
- Hold barn unna trakteren. Og ikke la ledningen henge ned et sted der et barn kan få tak i den.
- Ikke bruk en trakter som er skadet. Få den ettersatt eller reparert: se "service og kundebetjening"
- Ikke legg trakteren i vann eller la ledningen eller støpselet bli våte – du kan få elektrisk støt
- Trekk støpselet ut av kontakten:
 - før du fyller på vann
 - før rengjøring
 - etter bruk.
- Ikke gå fra trakteren mens den er i bruk.
- Ikke la ledningen berøre varme deler.
- Apparatet er ikke ment brukt av personer (inkludert barn) med reduserte fysiske, sensoriske eller mentale evner, eller med manglende erfaring og kunnskap, med mindre vedkommende har fått tilsyn eller opplæring i hvordan apparatet skal betjenes av en person som er ansvarlig for vedkommendes sikkerhet.
- Barn må ha tilsyn for å sikre at de ikke leker med apparatet.
- Bruk bare apparatet til dets tiltenkte hjemlige bruk. Kenwood frasier seg ethvert ansvar ved feilaktig bruk eller dersom apparatet ikke er brukt i henhold til denne bruksanvisningen.

viktig

- Må ikke brukes uten vann – pumpen vil bli utbrent.
- Oppbevar trakteren over 0 °C, ellers fryser eventuelt vann i trakteren og forårsaker skade.
- Må ikke brukes uten dryppbakke og koppestativ.

før du setter støpselet i kontakten

- Sørg for at nettspenningen stemmer overens med den som står på undersiden av trakteren.
- Dette apparatet er i samsvar med EU-direktiv 2004/108/EU om elektromagnetisk kompatibilitet og EU-bestemmelse nr. 1935/2004 fra 27/10/2004 om materialer som skal brukes i kontakt med mat.

gjør deg kjent med Kenwood espressomaskinen

- ① avtakbar vanntank
- ② lokk
- ③ fingergrep for dampdyse
- ④ damprør
- ⑤ dampdyse
- ⑥ kaffeutløp
- ⑦ variabel dampknott
- ⑧ lite filter til trakting av 1 kopp eller filterpose
- ⑨ flik
- ⑩ stort filter til trakting av 2 kopper
- ⑪ kaffe knapp
- ⑫ indikatorlampe for ferdig kaffe
- ⑬ på/av-knapp
- ⑭ indikatorlampe for ferdig damp
- ⑮ dampknapp
- ⑯ dryppbakke
- ⑰ flottør
- ⑱ koppestativ
- ⑲ måleskje
- ⑳ filterholder
- ㉑ spake til filtertømming
- ㉒ koppehylle

før du trakter kaffe for første gang

- 1 Pass på at den variable dampknotten er lukket ved å vri den med urviseren (ikke stram til for mye).
- 2 Løft opp lokket og løft deretter ut tanken og fyll med kaldt vann. Ikke fyll på så mye at det går over merket "MAX"-nivå. Eller du kan løfte opp lokket og fylle tanken mens den sitter på plass.
 - Vi anbefaler at du bruker filtrert vann da det gir bedre kaffe og reduserer kalkavleiring. Ikke bruk kullsyreholdig vann eller annen væske.
- 3 Sett tanken på plass igjen. Pass på at den sitter riktig og legg på et lett trykk hvis nødvendig for å sikre at ventilen i bunnen av tanken er koplet til bunnen av maskinen.
Viktig
Du må ikke bruke trakteren uten vann i tanken. Etterfyll så snart nivået blir lavt.
- 4 Lukk lokket.
- 5 Hold fingergrepet og sving ut dampdysen og sett en mugge under.
- 6 Fest filterholderen til trakteren ved å plassere den under kaffeutløpet og vri til høyre ①. Sett en beholder av egnet størrelse under.
- 7 Sett støpselet i kontakten og trykk på på/av-knappen og den lyser oransje. Samtidig blinker det grønne indikatorlyset for ferdig kaffe. Vent til det grønne lyset slutter å blinke.
- 8 Åpne den variable dampknotten ved å vri den mot urviseren, trykk på kaffe knappen og la én kopp vann renne ut av dampdysen. Lukk den variable dampknotten og la én kopp vann renne ut av kaffeutløpet og ned i beholderen.
- 9 Trykk på kaffe knappen for å stanse strømmen, og trykk så på på/av-knappen for å slå av trakteren.
- 10 Gjenta disse trinnene hvis du ikke har brukt kaffetrakteren på noen dager.

forvarme kaffetrakteren

For å sikre at espressokaffen får riktig temperatur må kaffebeholderen forvarmes.

- 1 Kontroller at den variable dampknotten er ordentlig lukket (vri med urviseren) og at det er nok vann til å varme opp 1 eller 2 kopper etter behov.
- 2 Sett ønsket filter i filterholderen (uten kaffe og mens du passer på at fliken på filteret passer i sporet på filterholderen). Fest til maskinen ved å plassere den under kaffeutløpet og vri til høyre ①. Pass på at den sitter godt.
- 3 Sett en kopp under filterholderen. Hvis du bruker den samme koppen som kaffen skal serveres i, vil det sørge for at den varmes opp.
- 4 Trykk på på/av-knappen og den lyser oransje. Det grønne indikatorlyset for ferdig kaffe blinker samtidig. Vent til det grønne lyset slutter å blinke.
- 5 Trykk på kaffe knappen og den lyser oransje, og varmt vann renner ned i koppen. Når det grønne lyset for ferdig kaffe begynner å blinke igjen skal du trykke på kaffe knappen for å stanse strømmen.
- 6 Fjern filterholderen og fortsett å lage kaffe med enten malt kaffe eller filterposer.

lage espresso med malt kaffe

- 1 Forvarm trakteren som beskrevet på side 38.
- 2 Kontroller at det er vann i tanken.
- 3 Velg ønsket filter.
 - Bruk det lille filteret når du lager én kopp kaffe (eller når du bruker filterposer) og det store når du lager 2 kopper.
- 4 Tiltsett kaffen. Bruk måleskjeen som følger med, en strøken skje per kopp. Pakk kaffen lett sammen med baksiden av måleskjeen. Tørk av eventuell kaffe rundt kanten.
 - Når du kjøper malt kaffe skal du passe på at den egner seg til espressomaskiner.
 - Ikke trykk kaffen for hardt sammen da det tetter igjen filteret og kaffen renner svært sakte ut, og kaffen blir svært mørk. Hvis du derimot ikke trykker hardt nok renner kaffen for fort, den blir lys og for tynn.
- 5 Sett på filterholderen. Pass på at fliken på filteret passer i sporet på filterholderen.
- 6 Sett filterholderen i kaffeutløpet. Vri den til høyre for å låse den på plass ①.
 - Sett én eller to kopper under ②. Hvis du lager én kopp skal denne settes midt på.
- 7 Trykk på på/av-knappen og vent til det grønne indikatorlyset for ferdig kaffe slutter å blinke og trykk deretter på kaffe knappen.
- 8 Når du har fått nok kaffe – ikke for mye ellers blir den for tynn, skal du trykke på kaffe knappen. Hvis du ikke skal lage mer kaffe skal du trykke på på/av-knappen for å slå maskinen av. Tabellen nedenfor viser hvor lenge kaffe knappen skal benyttes for å gi drikker i forskjellige mengde.

mengde	filterstørrelse	omtrentlig traktetid
1 espresso (40 ml)	1 kopp	12 sek
2 x espresso (40 ml hver)	2 kopper	25 sek
1 stor kaffe (1,25 dl)	1 kopp	32 sek
2 store kaffe (1,25 dl hver)	2 kopper	65 sek

- 9 Vent i 30 sekunder og ta så ut filterholderen ved å vri den til venstre.
- Det kan være vann på filteret når du tar det ut: dette er normalt
- 10 Den brukte kaffen fjernes fra filterholderen ved å vippe spaken på håndtaket slik at enden kommer over filteret ③. Hold spaken på plass og vipp enheten opp ned og bank ut gruten ④.

Viktig

Ikke ta ut filterholderen mens kaffe- eller dampfunksjonen er valgt. Du kan brenne deg på damp som plutselig skyter ut.

lage kaffe med filterposer

Viktig

Hvis filteret til én kopp brukes etter at du har brukt malt kaffe, må eventuell malt kaffe tørkes av kaffeutløpet. Dette for å unngå vannlekkasje fra filterholderen og for å sikre optimal ytelse. Vær forsiktig da området kan være varmt.

- 1 Forvarm maskinen som beskrevet på side 38, og sett det lille filteret i filterholderen.
- 2 Etter forvarming skal du ta ut filterholderen og legge filterposen i filteret mens du passer på at den vender riktig veg ⑤.
- 3 Trykk posen mot filterets nedre del, mens du passer på at papirflikene fester seg til filterets innvendige deler.
- 4 Posen må ligge i midten og godt ned i filteret.
- 5 Sett filterholderen i kaffeutløpet og vri til høyre til den låser seg på plass ①.
- 6 Følg punktene under "slik lager du espresso".
Merk – bruk poser som overholder ESE-standard.
- Følg alltid bruksanvisningen på posepakningen for riktig plassering av posene i filteret.



lage melkeskum til cappuccino

Tilbered espresso som beskrevet tidligere

tips – hvis du skal lage mer enn én kopp med cappuccino skal du først lage all kaffen og så til slutt alt melkeskummet.

- 1 Pass på at det er vann i tanken.
- 2 Sørg for at den variable dampknotten er lukket.
- 3 Trykk på på/av-knappen og den lyser oransje.
- 4 Trykk på dampknappen og det røde indikatorlyset for damp blinker.
- 5 Vent til det røde lyset lyser kontinuerlig og angir at enheten har nådd riktig temperatur.
- 6 Fyll en mugge delvis med melk – melkevolumet kan tredobles, så velg en mugge som er stor nok. Vi foreslår 40-60 ml melk pr cappuccino.
- Kald lettmelk gir best resultater.
- 7 Hold muggen i én hånd og plasser dysen i melken. Pass på at melken ikke går over leddet i dysen.
- 8 Åpne den variable dampknotten ved å vri den mot urviseren. Melken begynner å øke i volum og skumme ⑥. Beveg muggen slik at spissen på dysen holdes under melkens overflate. Etter 20-25 sekunder er melken varm og skummende.
- 9 Stans dampen ved å vri den variable dampknotten med urviseren.
- Ikke la melken koke. Det ødelegger kaffesmaken.
- 10 Trykk på dampknappen.
- 11 Hell melkeskummet ned i koppene med espresso. Til kaffe latte skal du holde tilbake skummet og bare tilsette den varme melken.
- **Viktig** – Ikke bruk dampdysen i mer enn 2 minutter om gangen, og rengjør den alltid etter bruk.
- 12 Trykk på på/av-knappen for å slå trakteren av.

lage espresso etter at du har skummet melk

Viktig

Ikke ta filterholderen ut av huset like etter at du har brukt dampfunksjonen.

Hvis du lager espresso etter at du har skummet melk må du kvitte deg med eventuelt vann som er for varmt som kan brenne kaffen. Du gjør det slik:-

- 1 Slå av dampknappen.
- 2 Pass på at det er vann i tanken og sett en mugge under dampdysen.

- 3 Åpne den variable dampknotten ved å vri den mot urviseren og trykk på kaffe-knappen (vann/damp kommer ut av dampdysen). Vent til det grønne lyset blinker og lukk så den variable dampknotten og slå av kaffe-knappen
- 4 Vent litt lenger til den grønne lampen lyser kontinuerlig. Når dette skjer er maskinen klar til å trakte kaffe.

rengjøring

dampdysen

Før du rengjør dampdysen skal du la litt varmt vann renne ut av dysen for å hjelpe til med rengjøringen. Det skal gjøres umiddelbart etter at det er kommet ut damp. Du gjør det slik:-

- 1 Pass på at det er vann i tanken og at det står en mugge under dampdysen.
- 2 Slå av dampknappen.
- 3 Åpne dampknotten ved å vri den mot urviseren.
- 4 Trykk på kaffe-knappen i ca. 10 sekunder slik at det renner varmt vann gjennom dysen.
- 5 Slå av kaffe-knappen og lukk den variable dampknotten ved å vri den med urviseren.
- 6 Trykk på på/av-knappen for å slå av maskinen.

- For ytterligere rengjøring skal du trekke ut støpselet og la alt kjøle seg ned.
- Ikke legg trakteren i vann.
- Delene må ikke vaskes i oppvaskmaskinen.

dampdysen

- 1 Skru opp dysen ved å vri den med urviseren, og vask grundig. Kontroller at de 3 angitte hullene ikke er tette ⑬. Hvis nødvendig skal du bruke en nål til å rense hullene
- 2 Rengjør dampslangen. Pass på at enden ikke er tett.
- 3 Skru dysen tilbake på slangen.

tank, lokk, filterholder

- Vask, skylk og la tørke.

filter (én og to kopper)

- Vask og tørk etter hver gangs bruk.
- Etter ca. hver 100 gangs bruk skal du ta det fra hverandre og rengjøre grundig som beskrevet nedenfor.
- Ta av dekslet på undersiden av filteret ved å vri det i angitt retning ⑦. Ta av kremerenheten ved å skyve den opp fra undersiden ⑧. Ta delene i kremerenheten fra hverandre ved å trekke pakningen til siden ⑨ og fjern plastskiven og metallfilteret ⑩. Skylk delene grundig. Vask metallfilteret i varmt vann med en børste ⑪. Pass på at hullene i metallfilteret ikke er tette. Hvis nødvendig kan de renses med en nål ⑫. Tørk delene og sett dem deretter sammen igjen. Pass på at du setter dem riktig sammen.

koppstativ, dryppbakke

- Tøm dryppbakken regelmessig. Du ser når den er full, for den røde flottøren midt på dryppbakken stiger og kan ses i hullet på koppstativet.

- 1 Vask, og tørk.

kaffeutløp

- Etter hver gangs bruk skal du kontrollere at dette området er rent og fritt for kaffe-grut. Tørk rent og gjør følgende for å rengjøre grundigere om nødvendig. Hvis ikke dette området holdes rent påvirkes kaffens kvalitet og enheten kan skades.

- 1 Bruk et skrujern ⑭ og løsne skruen som holder kaffeutløpet på plass (ikke ta av det indre dekslet).
- 2 Rengjør området med en fuktig klut.
- 3 Rengjør utløpet grundig med varmt såpevann og børste. Skylk godt. Pass på at hullene ikke er tette. Hvis de er tette kan du bruke en nål til å rense dem.
- 4 Gjør ovennevnte prosedyre i omvendt rekkefølge for å sette utløpet på igjen. Garantien ugyldiggjøres hvis du ikke rengjør kaffeutløpet og filtrere som beskrevet.

avkalking

Vi anbefaler at kaffetrakteren avkalkes etter at du har traktet 200 kopper kaffe.

- 1 Vi anbefaler at du kjøper et rensmiddel som er spesielt laget til avkalking av espressomaskiner. Bruk mengden som er anbefalt av produsenten av avkalkingsmiddelet, men ikke overgå tankkapasiteten på 1 liter.
- 2 Pass på at filterholderen ikke er påsatt og sett en bolle under kaffeutløpet og en mugge under dampdysen.
- 3 Trykk på på/av-knappen og deretter på kaffe-knappen og åpne den variable dampknotten ved å vri den mot urviseren og la 1 kopp vann renne ut av dampdysen. Lukk den variable dampknotten og la 1 kopp vann renne ut av kaffeutløpet. Ikke vent på at det grønne lyset skal slutte å blinke.

- 4 Slå av trakteren og trekk støpselet ut av kontakten, og la den stå i 15 minutter.
- 5 Gjenta trinn 3 og la alt avkalkingsmiddelet renne ut av maskinen. Slå av.
- 6 Skyll tanken grundig og fyll med friskt vann.
- 7 Følg trinn 3 og la vannet renne gjennom varmtvannsdysen og kaffeutløpet.
Gjenta med en ny tank med friskt vann. Dette fjerner alle spor av avkalkingsmiddelet.

Reparasjoner forårsaket av feilfunksjon pga. kalkoppsamling dekkes ikke av garantien hvis ikke avkalkingen gjennomføres regelmessig.

service og kundetjeneste

- Dersom ledningen er skadet må den av sikkerhetsmessige grunner erstattes av KENWOOD eller en autorisert KENWOOD-reparatør.

Hvis du trenger hjelp med å:

- bruke apparatet eller
 - service eller reparasjoner
- kontakt forhandleren der du kjøpte apparatet.
- Designet og utviklet av Kenwood i Storbritannia.
 - Laget i Kina.



VIKTIG INFORMASJON FOR KORREKT AVHENDING AV PRODUKTET I SAMSVAR MED EU-DIREKTIV 2002/96/EC.

På slutten av levetiden må ikke produktet kastes som vanlig avfall.

Det må tas med til et lokalt kildesorteringssted eller til en forhandler som tilbyr tjenesten. Ved å avhende husholdningsapparater separat unngås mulige negative konsekvenser for miljø og helse som oppstår som en følge av feil avhending, og gjør at de forskjellige materialene kan gjenvinnes. Dermed blir det betydelige besparelser på energi og ressurser. Som en påminnelse om behovet for å kaste husholdningsapparater separat, er produktet merket med en søppelkasse med kryss over.

feilsøking

problem	mulig årsak	løsning
Det kommer ikke espresso- kaffe ut av trakteren.	<ul style="list-style-type: none"> • Kaffen er fuktig og/eller pakket for hardt sammen i filteret. • Hullene i filterholderen er tette. • Kaffeutløpet er tett. • Tanken er feil påsatt og ventilen i bunnen er ikke åpen. • Hullene i kremerenheten er tette. 	<ul style="list-style-type: none"> • Kontroller at du bruker malt kaffe som er egnet til espressomaskiner. Trykk kaffen lettere sammen i filteret og bytt grovhet om nødvendig. • Rens hullene • Rengjør som oppgitt i avsnittet om "rengjøring". • Trykk lett på tanken slik at ventilen i bunnen åpner seg • Ta fra hverandre kremerenheten 8 og rengjør alle delene grundig. Se avsnittet om "rengjøring"(filter).
Det drypper espresso fra kantene på filterholderen i stedet for fra hullene.	<ul style="list-style-type: none"> • Filterholderen er ikke satt riktig på maskinen. • Pakningen på dampkjelen har mistet elastisiteten. • Hullene i filterholderen er tette. • Det er for mye kaffe i kaffefilteret. 	<ul style="list-style-type: none"> • Sett filterholderen tilbake og pass på at den sitter riktig og er vendt mot høyre. • Få pakningen erstattet. Se "service og kundebetjening". • Rens hullene. • Reduser kaffemengden.
Espresso-kaffen er kald	<ul style="list-style-type: none"> • Maskinen ble ikke forvarmet. • Det grønne lyset for ferdig kaffe lyste ikke da kaffeknappen ble trykket inn. 	<ul style="list-style-type: none"> • Følg bruksanvisningen for hvordan du forvarmer kaffetrakteren. • Vent til den grønne lampen slutter å blinke før du trykker på kaffeknappen.
Pumpen bråker for mye.	<ul style="list-style-type: none"> • Vanntanken er tom. • Tanken sitter ikke skikkelig og ventilen i bunnen er ikke åpen. 	<ul style="list-style-type: none"> • Fyll tanken med vann. • Trykk lett på tanken slik at ventilen i bunnen åpner seg.
Kaffekrem er lys og renner for fort ut.	<ul style="list-style-type: none"> • Den malte kaffen har ikke blitt presset godt nok sammen. • Det er ikke brukt nok malt kaffe. • Det har rent ut for mye kaffe. • Kaffen som brukes egner seg ikke. 	<ul style="list-style-type: none"> • Trykk kaffen bedre sammen. • Øk mengden kaffe i filteret. • Reduser mengden kaffe som renner ned i koppen(e). • Bytt til en annen type kaffe.
Kaffekrem er mørk og renner ut for sakte.	<ul style="list-style-type: none"> • Den malte kaffen er trykket for hardt sammen. • Kaffeutløpet er tett. • Du har brukt for mye kaffe. • Kaffen er for finmalt. • Kaffen er ikke egnet til formålet. 	<ul style="list-style-type: none"> • Ikke trykk kaffen så hardt sammen. • Rengjør som oppgitt i avsnittet om "rengjøring". • Reduser mengden. • Bytt kaffe og kjøp en som passer til espressomaskiner. • Bytt kaffe og kjøp en som passer til espressomaskiner.
Kaffen smaker surt.	<ul style="list-style-type: none"> • Maskinen ble ikke skylt godt nok etter avkalking. 	<ul style="list-style-type: none"> • Skylt maskinen flere ganger med rent vann og skylt alle delene, se "rengjøring". Skift vann mellom hver skylling.
Melken skummer ikke når du lager cappuccino	<ul style="list-style-type: none"> • Melken er ikke kald nok. • Cappuccino-utstyret er skittent. 	<ul style="list-style-type: none"> • Bruk alltid melk fra kjøleskapet. • Prøv melk med et annet fettinnhold. • Rengjør dampslangen samt dysen. Se "rengjøring"

Taita auki etusivun kuvitukset

ennen ensimmäistä käyttökertaa

- 1 Lue nämä ohjeet huolella ja säilytä ne myöhempää tarvetta varten.
- 2 Poista pakkauksen osat ja mahdolliset tarrat.
- 3 Pese osat. Lisätietoja on puhdistaminen-osassa.
- 4 Huuhteile laite perusteellisesti puhtaalla vedellä. Lisätietoja on ennen ensimmäistä kahvinvalmistuskertaa -osassa.

turvallisuus

- Älä koskaan irrota suodatintelineä, kun kahvia keitetään tai höyryä tuotetaan, sillä höyry voi purkautua ulos ja aiheuttaa palovammoja.
- Varo polttamasta itseäsi
 - kuumilla osilla, kuten höyrysuutin, suodatinteline ja kahvin ulostuloaukko
 - höyry- tai kahvisuuttimesta tulevalle höyryllä tai kahvin ulostuloaukosta tulevalle kahvilla.
- Älä päästä lapsia koneen lähelle. Älä anna johdon roikkua siten, että lapsi voi tarttua siihen.
- Älä koskaan käytä vioittunutta konetta. Toimita se tarkistettavaksi tai korjattavaksi. Lisätietoja on huolto ja asiakaspalvelu -kohdassa.
- Älä koskaan upota laitetta veteen äläkä anna pistokkeen tai johdon kastua. Muutoin voit saada sähköiskun.
- Irrota pistoke pistorasiasta
 - ennen täyttämistä vedellä
 - ennen puhdistamista.
 - käytön jälkeen.
- Älä jätä konetta päälle ilman valvontaa.
- Älä anna sähköjohdon koskettaa kuumia osia.
- Tätä laitetta ei ole tarkoitettu sellaisten henkilöiden käyttöön, joilla ei ole täysin normaalia vastaavat fyysiset tai henkiset ominaisuudet (mukaan lukien lapset), jos heidän turvallisuudestaan vastaava henkilö ei ole opastanut heitä käyttämään laitetta tai jos heitä ei valvota.
- Lapsia tulee pitää silmällä sen varmistamiseksi, että he eivät leiki laitteella.
- Käytä laitetta ainoastaan sille tarkoitettuun kotitalouskäyttöön. Kenwood-yhtiö ei ole korvausvelvollinen, jos laitetta on käytetty väärin tai näitä ohjeita ei ole noudatettu.

tärkeää

- Älä koskaan käytä keitintä ilman vettä, sillä pumppu voi palaa.
- Säilytä konetta yli 0 °C:n lämpötilassa. Muutoin keittimeen jäänyt vesi voi jäätyä ja aiheuttaa vaurioita.
- Älä käytä keitintä ilman ylivalumisastiaa ja kupittelintä.

ennen yhdistämistä verkkovirtaan

- Varmista, että virransyöttö on sama kuin laitteen pohjaan merkitty.
- Tämä laite täyttää sähkömagneettista yhteensopivuutta koskevan EU-direktiivin 2004/108/EU ja 27.10.2004 annetun elintarvikkeiden kanssa koskettuihin joutuvia materiaaleja säätelevän EU-määräyksen 1935/2004 vaatimukset.

tutustu Kenwood-espressokeittimeen

- ① irrotettava vesisäiliö
- ② kansi
- ③ höyrysuutimen tarttumakohta
- ④ höyryputki
- ⑤ höyrysuutin
- ⑥ valmiin kahvin ulostuloaukko
- ⑦ höyrysäädin
- ⑧ pieni suodatin 1 kuppia tai kahvinappeja varten
- ⑨ kieleke
- ⑩ suuri suodatin vain 2 kuppia varten
- ⑪ kahvipainike
- ⑫ kahvi on valmista -merkkivalo
- ⑬ virtapainike
- ⑭ höyry on valmista -merkkivalo
- ⑮ höyrypainike
- ⑯ tippumislusta
- ⑰ kelluke
- ⑱ kupitteline
- ⑲ mittalusikka/kahvintasoitin
- ⑳ suodatinteline
- ㉑ suodattimen tyhjennysvipu
- ㉒ kupinsäilytysalusta

ennen ensimmäistä kahvinvalmistuskertaa

- 1 Varmista, että höyrysäädin on suljettu kääntämällä sitä myötapäivään (älä ylikiristä).
- 2 Nosta kansi ja vesisäiliö irti. Täytä kylmällä vedellä. Älä täytä merkityn MAX-tason yläpuolelle. Voit myös irrottaa kannen ja täyttää säiliön, kun se on paikallaan keittimessä.
 - On suositeltavaa käyttää suodatettua vettä. Tämä vähentää kalkin kerrostumista ja tuottaa parempaa kahvia. Älä käytä hiilihapotettua vettä tai muuta nestettä.
- 3 Aseta säiliö takaisin paikalleen. Varmista, että se asetettu oikein. Paina säiliötä tarvittaessa kevyesti, jotta säiliön pohjassa oleva venttiili on varmasti kiinni keittimen pohjassa.**Tärkeää**
Älä koskaan käytä keitintä, jos säiliössä ei ole vettä. Lisää vettä tarvittaessa.
- 4 Sulje kansi.
- 5 Tartu tarttumakohtaan ja käännä höyrysuutin esiin. Aseta kannu sen alle.
- 6 Kiinnitä suodatinteline keittimeen asettamalla se valmiin kahvin ulostuloaukon alapuolelle ja kääntämällä sitä oikealle ①. Aseta sen alapuolelle sopivan kokoinen astia.
- 7 Yhdistä pistoke pistorasiaan. Paina virtapainiketta. Siihen sytty oranssi valo. Samalla vihreä valmiin kahvin merkkivalo alkaa vilkkua. Odota, kunnes vihreä merkkivalo lakkaa vilkkumasta.
- 8 Avaa höyryn säädin kääntämällä sitä vastapäivään. Paina kahvipainiketta ja anna yhden vesikupillisen tulla ulos höyrysuuttimesta. Sulje höyryn säädin. Anna yhden vesikupillisen tulla ulos kahvisuuttimesta astiaan.
- 9 Pysäytä virtaus painamalla kahvipainiketta. Sammuta laite painamalla virtapainiketta.
- 10 Toista nämä toimet, jos et ole käyttänyt kahvinkeitintä muutamaan päivään.

kahvinkeitimen esilämmitys

Espressokahvin oikean lämpötilan varmistamiseksi on tärkeää, että kahvinkeitin on esilämmitetty.

- 1 Tarkista, että höyryn säädin on tiukasti suljettu (käännä vastapäivään) ja että vettä on riittävästi 1 tai 2 kupillisen lämmittämistä varten.
- 2 Aseta haluamasi suodatin suodatintelineeseen (ilman kahvia). Varmista, että suodattimen kieleke sopii suodatintelineen koloon. Kiinnitä suodatinteline keittimeen asettamalla se valmiin kahvin ulostuloaukon alapuolelle ja kääntämällä sitä oikealle ①. Varmista, että se on tukevasti paikallaan.
- 3 Aseta kuppi suodatintelineen alle. Jos käytetään samaa kuppia, josta kahvi tarjoillaan, kuppi esilämmitetään.
- 4 Paina virtapainiketta. Siihen sytty oranssi valo. Samalla vihreä valmiin kahvin merkkivalo alkaa vilkkua. Odota, kunnes vihreä merkkivalo lakkaa vilkkumasta.
- 5 Paina kahvipainiketta. Siihen sytty oranssi valo ja kuppiin virtaa kuumaa vettä. Kun vihreä valmiin kahvin merkkivalo alkaa vilkkua uudelleen, paina kahvipainiketta virtaamisen pysäyttämiseksi.
- 6 Irrota suodatinteline. Siirry valmistamaan kahvia käyttämällä joko jauhetta kahvia tai kahvinappeja.

espresson valmistaminen jauhetusta kahvista

- 1 Esilämmitä laite sivun 42 ohjeiden mukaisesti.
- 2 Tarkista, että säiliössä on vettä.
- 3 Valitse haluamasi suodatin.
 - Käytä pienempää suodatinta yhden kahvikupillisen valmistukseen (tai kun käytät kahvinappeja) ja suurempaa suodatinta 2 kupilliseen.
- 4 Lisää kahvia 1 tasapäinen mittalusikallinen kuppia kohden. Tasoita pinta ja paina kevyesti mittalusikan pohjalla. Pyyhi ylimääräinen kahvi reunoilta.
 - Varmista, että ostamasi kahvijauhe sopii espressokeittimiin.
 - Älä koskaan paina kahvia liian tiukaksi, sillä silloin kahvi valuu hitaasti ja cremasta (kahvin vaahdosta) tulee tummaa. Jos kahvi on kuitenkin painettu liian kevyesti, kahvi valuu liian nopeasti. Tällöin crema on vaaleaa ja kahvista tulee vetistä.
- 5 Sovita suodatinteline paikalleen. Varmista, että suodattimessa oleva kieleke asettuu suodatintelineen aukkoon.
- 6 Sovita suodatinteline valmiin kahvin ulostuloaukkoon. Lukitse suodatinteline paikalleen kääntämällä sitä oikealle ①.
 - Aseta alapuolelle yksi tai kaksi kuppia ②. Jos valmistat yhden kupillisen, aseta kuppi keskelle.
- 7 Paina virtapainiketta. Odota kunnes vihreä valmiin kahvin merkkivalo lopettaa vilkkumisen. Paina tämän jälkeen kahvipainiketta.

- 8 Kun kupissa on tarpeeksi kahvia (ei liikaa, sillä kahvista tulee silloin liian laihaa), paina kahvipainiketta. Jos kahvia ei valmisteta enempää, sammuta laite painamalla virtapainiketta. Tässä taulukossa on kuvattu kahvipainikkeen painamisajat erilaisia määriä varten.

määrä	suodatin-koko	arvioitu aika
1 espresso (40 ml)	1 kupillinen	12 sekuntia
2 x espresso (molemmat 40 ml)	2 kupillista	25 sekuntia
1 iso kahvi (125 ml)	1 kupillinen	32 sekuntia
2 isoa kahvi (molemmat 125 ml)	2 kupillista	65 sekuntia

- 9 Odota 30 sekuntia ja irrota suodatinteline kääntämällä sitä vasemmalle.
- Suodattimessa voi olla vettä, kun se irrotetaan. Tämä on normaalia.
- 10 Poista käytetty kahvi suodatintelineestä kääntämällä kahvan vipua siten, että sen pää tulee suodattimen päälle ③. Pidä vipua paikallaan, käännä sitten suodatinteline ylösalaisin ja napauta kahvin porot pois ④.

Tärkeää

- **Älä koskaan irrota suodatintelineettä, kun kahvi- tai höyrytoiminto on valittu, sillä höyry voi purkautua ulos ja aiheuttaa palovammoja.**

kahvin valmistaminen suodatinnapeista

Tärkeää

Jos kahvinapeille tarkoitettussa suodattimessa on käytetty jauhetta kahvia, jäljelle jäänyt kahvi on puhdistettava valmiin kahvin ulostuloaukon ympäriltä. Tämä on tarpeen, jotta vältetään veden vuotaminen suodatintelineestä ja varmistetaan paras mahdollinen toiminta. Ole varovainen, sillä alue voi olla kuuma.

- 1 Esilämmitä laite sivun 42 ohjeiden mukaisesti. Aseta pienempi suodatin suodatintelineeseen.
 - 2 Esilämmittämisen jälkeen poista suodatinteline ja aseta kahvinappi suodattimeen oikein päin ⑤.
 - 3 Paina kahvinappia kohti suodattimen alaosaa siten, että paperireunat kiinnittyvät suodattimen sisäosaan.
 - 4 Kahvinapin tulee olla tiukasti paikallaan suodattimen keskellä.
 - 5 Kiinnitä suodatinteline valmiin kahvin ulostuloaukkoon ja käännä oikealle, kunnes se lukkiutuu paikalleen ①.
 - 6 Noudata espresson valmistaminen -kohdan ohjeita.
- Huomautus: käytä E.S.E.-standardin mukaisia kahvinappeja.
- Noudata aina kahvinappipaketissa olevia ohjeita napin sijoittamiseksi oikein suodattimeen.



maidon vaahdottaminen cappuccinoa varten

Valmista espresso aikaisemmin kuvatulla tavalla.

vihje: jos valmistat useita cappuccinokupillisia, valmista ensin kahvi ja vaahdota maito tämän jälkeen.

- 1 Tarkista, että säiliössä on vettä.
 - 2 Varmista, että höyrnsäädin on suljettu.
 - 3 Paina virtapainiketta. Siihen syttyy oranssi valo.
 - 4 Paina höyrypainiketta. Punainen höyryn merkivalo alkaa vilkkua.
 - 5 Odota, kunnes punainen valo palaa jatkuvasti sen merkiksi, että lämpötila on oikea.
 - 6 Täytä kannu osittain maidolla – maidon tilavuus voi kasvaa jopa kolminkertaiseksi, joten valitse sopivan kokoinen kannu. Käytä noin 40-60 ml maitoa cappuccinokupillista kohden.
 - Kylmästä kevytmaidosta saa parasta vaahtoa.
 - 7 Tartu kannuun yhdellä kädellä ja työnnä suutin maitoon. Varmista, että maidon pinta ei nouse kannun reunojen yläpuolelle.
 - 8 Avaa höyrnsäädin kääntämällä sitä vastapäivään. Maito vaahdotuu ja sen tilavuus kasvaa ⑥. Siirrä kannua korkeussuunnassa. Varmista, että suuttimen kärki pysyy maidon pinnan alla. Maito höyryää ja vaahdotuu 20–25 sekunnin kuluttua.
 - 9 Katkaise höyryn tulo kääntämällä höyrnsäädintä myötäpäivään.
 - Älä anna maidon kiehua. Muutoin kahvin maku kärsii.
 - 10 Paina höyrypainiketta.
 - 11 Kaada maitovahto kuppeihin, jossa on espressokahvia. Saat latteä lisäämällä vaahdon sijasta höyrytettyä maitoa.
- Tärkeää:** älä koskaan käytä höyrysuutinta kerrallaan 2 minuuttia kauempaa. Puhdista suutin aina käyttämisen jälkeen.
- 12 Voit katkaista virran painamalla virtapainiketta.

espresson valmistaminen maidon vaahdottamisen jälkeen

Tärkeää

Älä koskaan irrota suodatintelineettä sen pesästä heti höyrytoiminnon jälkeen.

Jos valmistat espressoa maidon vaahdottamisen jälkeen, ylikuumentunut vesi on poistettava, sillä muutoin kahvi voi palaa. Toimi seuraavasti:

- 1 Pysäytä höyryn tulo höyrypainikkeen avulla.
- 2 Varmista, että säiliössä on vettä. Aseta höyrysuuttimen alle kannu.
- 3 Avaa höyryn säädin kääntämällä sitä vastapäivään. Paina kahvipainiketta. Höyrysuuttimesta tulee vettä tai höyryä. Odota, kunnes vihreä alkaa vilkkua. Sulje höyrynsäädin ja katkaise kahvin tulo.
- 4 Odota, kunnes vihreä merkivalo palaa jatkuvasti. Laite on nyt valmis kahvin valmistamista varten.

puhdistaminen

höyrysuutin

Ennen höyrysuuttimen puhdistamista anna hieman kuumaa vettä tulla siitä puhdistamisen helpottamiseksi. Tämä on tehtävä heti höyryn käyttämisen jälkeen. Toimi seuraavasti:

- 1 Varmista, että säiliössä on vettä ja että höyrysuuttimen alla on kannu.
- 2 Pysäytä höyryn tulo höyrypainikkeen avulla.
- 3 Avaa höyrynsäädin kääntämällä sitä vastapäivään.
- 4 Pidä kahvipainiketta painettuna noin 10 sekuntia, jotta suuttimen läpi virtaa kuumaa vettä.
- 5 Aseta kahvipainike suljettuun asentoon. Sulje höyrynsäädin kääntämällä sitä myötäpäivään.
- 6 Katkaise virta painamalla virtapainiketta.

- Ennen puhdistamisen jatkamista irrota pistoke pistorasiasta ja anna laitteen jäähtyä.
- Älä koskaan upota laitetta veteen.
- Älä pese osia astianpesukoneessa.

höyrysuutin

- 1 Kierrä suutin irti kääntämällä sitä myötäpäivään ja pese se huolellisesti. Tarkista, että suuttimen kolme reikää eivät ole tukossa ⑬. Aukaise ne tarvittaessa tikulla.
- 2 Puhdista höyryputki. Varmista, että sen pää ei ole tukossa.
- 3 Kierrä suutin takaisin putkeen.

säiliö, kansi, suodatinteline

- Pese, huuhtelee ja anna kuivua.

suodatin (yksi tai kaksi kuppia)

- Pese ja kuivaa aina käytön jälkeen.
- Pura osiin noin 100 käyttökerran jälkeen ja pese huolellisemmin alla olevien ohjeiden mukaisesti.
- Irrota suodattimen alapuolella oleva korkki kääntämällä sitä merkittyyn suuntaan ⑦. Irrota cremalaitte työntämällä sitä ylöspäin pohjan alapuolelta ⑧. Irrota cremalaitteen osat toisistaan vetämällä tiiviste ⑨ sivuun sekä poistamalla muovilevy ja metallisuodatin ⑩. Huuhtelee osat huolellisesti. Pese metallisuodatin harjalla kuumassa vedessä ⑪. Varmista, että metallisuodattimen reiät eivät ole tukossa. Puhdista tarvittaessa tikulla ⑫. Kuivaa osat ja kokoa uudestaan. Varmista, että osat on koottu oikein.

kupiteline ja ylivalumisastia

- Tyhjennä ylivalumisastia säännöllisesti. Astia on täysi, kun punainen kelluke astian keskellä nousee ja tulee näkyviin kuppitelineen keskiaukosta.

- 1 Pese ja kuivaa.

valmiin kahvin ulostuloaukko

- arkista jokaisen käyttökerran jälkeen, että alueella ei ole kahvinporoja. Pyyhi puhtaaksi ja puhdista tarvittaessa perusteellisemmin toimimalla seuraavasti. Jos tätä aluetta ei puhdisteta, valmistetun kahvin laatu heikkenee ja laite voi vaurioitua.

- 1 Kierrä ruuvimeisselillä ⑭ irti ruuvi, joka pitää valmiin kahvin ulostuloaukon paikallaan (älä irrota sisäkantta).
- 2 Puhdista alue kostealla liinalla.
- 3 Pese irrotettu ulostuloaukko huolellisesti harjalla kuumassa saippuavedessä. Huuhtelee huolellisesti. Varmista, että reiät eivät ole tukossa. Puhdista tarvittaessa tikulla.
- 4 Kiinnitä ulostuloaukko takaisin paikalleen tekemällä edellä kuvatut toimet päinvastaisessa järjestyksessä. Jos valmiin kahvin ulostuloaukkoa ja suodatintelineä ei puhdisteta ohjeiden mukaisesti, takuu raukeaa.

kalkin poistaminen

Kalkki tulee poistaa 200 valmistetun kahvikupillisen jälkeen.

- 1 On suositeltavaa käyttää espressokeittimen kalkinpoistoon tarkoitettua erikoistuotetta. Käytä kalkinpoistoainetta sen ohjeiden mukaisesti, mutta suurin nestemäärä on 1 litra.
- 2 Varmista, että suodatinteline ei ole paikallaan. Aseta kulho valmiin kahvin ulostuloaukon alapuolelle.
- 3 Paina virtapainiketta ja kahvipainiketta. Avaa höyryn säädin kääntämällä sitä vastapäivään. Anna yhden vesikupillisen tulla ulos höyrystinlaitteesta. Sulje höyryn säädin. Anna yhden vesikupillisen tulla ulos kahvisuuttimesta. Älä odota, että vihreä merkkivalo lakkaa vilkkumasta.
- 4 Katkaise virta, irrota pistoke pistorasiasta ja anna laitteen jäähtyä noin 15 minuuttia.
- 5 Toista vaihe 3 ja anna kaiken kalkinpoistoliuoksen valua pois laitteesta. Katkaise virta.
- 6 Huuhtele säiliö huolellisesti ja täytä se puhtaalla vedellä.
- 7 Tee vaiheen 3 toimet, jotta vesi valuu ulos kuumavesi- ja valmiin kahvin suuttimesta. Täytä säiliö puhtaalla vedellä ja toista toimet. Tämä poistaa kalkinpoistoaineen kokonaan.

Takuu ei kata kalkin kertymisestä johtuvien vikojen korjauksia, jos kalkkikiveä ei ole poistettu säännöllisesti.

huolto ja asiakaspalvelu

- Jos virtajohto vaurioituu, se on turvallisuussyistä vaihdettava. Vaihtotyön saa tehdä KENWOOD tai KENWOODIN valtuuttama huoltoliike.
- Jos tarvitset apua
- laitteen käyttämisessä tai
- laitteen huolto- tai korjaustöissä, ota yhteys laitteen ostopaikkaan.
- Kenwood on suunnitellut ja muotoillut Iso-Britanniassa.
- Valmistettu Kiinassa.



TÄRKEITÄ OHJEITA TUOTTEEN HÄVITTÄMISEEN EUROOPAN UNIONIN DIREKTIIVIN 2002/96 MUKAISESTI.

Tuotetta ei saa hävittää yhdessä tavallisten kotitalousjätteiden kanssa sen lopullisen käytöstä poiston yhteydessä.

Vie se paikallisten viranomaisten hyväksymään kierrätyskeskukseen tai anna se jälleenmyyjän hävitettäväksi, mikäli kyseinen palvelu kuuluu jälleenmyyjän toimialaan. Suojelet luontoa ja vältä virheellisen tai väärän romutuksen aiheuttamilta terveysriskeiltä, mikäli hävität kodinkoneen erillään muista jätteistä.

Näin myös kodinkoneen sisältämät kierrätettävät materiaalit voidaan kerätä talteen, jolloin säästät energiaa ja luonnonvaroja.

Tuotteessa on ristillä peitetty roskasäiliön merkki, jonka tarkoituksena on muistuttaa että kodinkoneet on hävitettävä erikseen muista kotitalousjätteistä.

ongelmien ratkaiseminen

ongelma	mahdollinen syy	ratkaisu
Laitteesta ei tule espressoa.	<ul style="list-style-type: none"> • Kahvi on kostea ja/tai se on painettu suodattimeen liian tiukasti. • Suodatintelineen reiät ovat tukossa. • Valmiin kahvin ulostuloaukko on tukossa. • Säiliö on asennettu väärin eikä pohjassa oleva venttiili ole auki. • Cremalaitteen reiät ovat tukossa. 	<ul style="list-style-type: none"> • Tarkista, että käyttämäsi kahvijauhe sopii espressokeittimiin. Paina kahvi kevyemmin suodattimeen ja vaihda tarvittaessa kahvin jauhatusastetta. • Puhdista suodatintelineen reiät. • Puhdista noudattamalla puhdistuksesta kertovan osan ohjeita. • Paina säiliötä kevyesti pohjassa olevan venttiilin avaamiseksi. • Pura cremalaitte 8 osiin ja puhdista osat huolellisesti. Lisätietoja on suodattimen puhdistamisesta kertovassa osassa.
Espressokahvi valuu reikien sijaan suodatintelineen reunojen yli.	<ul style="list-style-type: none"> • Suodatinteline on kiinnitetty keittimeen väärin. • Kuumavesisäiliön tiiviste ei ole enää joustava. • Suodatintelineen reiät ovat tukossa. • Suodattimessa on liikaa kahvia. 	<ul style="list-style-type: none"> • Kiinnitä suodatinteline uudelleen oikeaan paikkaan ja käännä sitä oikealle. • Vaihda tiiviste. Lisätietoja on huolto ja asiakaspalvelu -kohdassa. • Puhdista suodatintelineen reiät. • Vähennä kahvin määrää.
Espresso-kahvi on kylmää.	<ul style="list-style-type: none"> • Laitetta ei esilämmitetty. • Vihreä valmiin kahvin merkkivalo ei palanut, kun kahvipainiketta painettiin. 	<ul style="list-style-type: none"> • Noudata kahvinkeitin esilämmitysohjetta. • Odota, kunnes vihreä kahvin merkkivalo lakkaa vilkkumasta. Paina kahvipainiketta vasta tämän jälkeen.
Pumppu pitää kovaa ääntä.	<ul style="list-style-type: none"> • Vesisäiliö on tyhjä. • Säiliö on asennettu väärin eikä pohjassa oleva venttiili ole auki. 	<ul style="list-style-type: none"> • Täytä säiliö vedellä. • Paina säiliötä kevyesti pohjassa olevan venttiilin avaamiseksi.
Kahvi crema on vaaleaa ja kahvi valuu liian nopeasti.	<ul style="list-style-type: none"> • Kahvijauhetta ei ole painettu tarpeeksi. • Kahvijauhetta on käytetty liian vähän. • Kahvijauhetta on käytetty liikaa. • Käytetty kahvijauhe ei ole sopivaa. 	<ul style="list-style-type: none"> • Paina kahvia tiukemmin. • Lisää kahvin määrää suodattimessa. • Vähennä kuppeihin valutettavan kahvin määrää. • Käytä toisenlaista kahvia.
Kahvin crema on tummaa ja kahvi valuu liian hitaasti.	<ul style="list-style-type: none"> • Kahvijauhetta on painettu liikaa. • Valmiin kahvin ulostuloaukko on tukossa. • Kahvijauhetta on käytetty liikaa. • Kahvijauhe on jauhettu liian hienoksi. • Käytetty kahvijauhe ei ole sopivaa. 	<ul style="list-style-type: none"> • Paina kahvia vähemmän. • Puhdista noudattamalla puhdistuksesta kertovan osan ohjeita. • Vähennä kahvijauheen määrää. • Käytä espressokeittimille soveltuvaa kahvia. • Käytä espressokeittimille soveltuvaa kahvia.
Kahvi maistuu happamalta.	<ul style="list-style-type: none"> • Keitintä ei huuhdeltu hyvin kalkinpoiston jälkeen. 	<ul style="list-style-type: none"> • Huuhtelee keitin useaan kertaan puhtaalla vedellä ja huuhtelee kaikki osat. Lisätietoja on puhdistamisesta kertovassa osassa.
Maito ei vaahouda cappuccinoa valmistettaessa.	<ul style="list-style-type: none"> • Maito ei ole tarpeeksi kylmää. • Cappuccinon valmistin on liikainen. 	<ul style="list-style-type: none"> • Käytä aina jääkaappikylmää maitoa. • Kokeile maitoa, jossa on erilainen rasvapitoisuus. • Puhdista höyryputki ja suutin. Lisätietoja on puhdistamisesta kertovassa osassa.

Türkçe

Ön kapağı açınız ve açıklayıcı resimlere bakınız

ilk kullanımdan önce

- 1 Bu talimatları dikkatle okuyun ve gelecekteki kullanımlar için saklayın.
- 2 Tüm ambalajları ve etiketleri çıkartın.
- 3 Parçaları yıkayın: bkz. 'temizleme'.
- 4 Makineyi temiz suyla iyice çalkalayın: bkz. 'ilk kez kahve yapmadan önce'.

güvenlik

- Kahve yapılırken veya buhar üretilirken asla filtre tutucuyu açmayın – buhar püskürebilir ve sizi yakabilir.
- Aşağıdakiler ile yanmamaya dikkat edin:
 - buhar memesi, filtre tutucu ve kahve çıkışı dahil sıcak parçalar.
 - buhar memesinden çıkan buhar veya kahve çıkışından çıkan kahve.
- Çocukları makineden uzak tutun. Kabloyu çocukların erişebileceği bir yerde asla bırakmayın.
- Hiç bir zaman hasarlı makine kullanmayın. Kontrol ya da tamir ettirin: bkz. 'servis ve müşteri hizmetler'.
- Cihazı asla suya sokmayın veya kordon ya da fişin ıslanmasına izin vermeyin – elektrik çarptırabilir.
- Aşağıdaki durumlarda fişten çekin:
 - su doldurmadan önce
 - temizlemeden önce
 - kullandıktan sonra.
- Makineyi asla başıboş bırakmayın.
- Kablonun sıcak bölümlere değmesine izin vermeyin
- Bu cihaz; sorumlu bir kişi tarafından gözetim altında olmayan fiziksel, duysal veya zihinsel engelli kişiler (çocuklar dahil), cihazın kullanılışı hakkında açıklama almamış kişiler ve bilgi veya deneyimi eksik olan kişiler tarafından kullanılmak üzere tasarlanmamıştır.
- Çocuklar cihazla oynamamaları gerektiği konusunda bilgilendirilmelidir.
- Bu cihazı sadece iç mekanlarda kullanım alanının olduğu yerlerde kullanın. Kenwood, cihaz uygunsuz kullanımlara maruz kaldığı ya da bu talimatlara uyulmadığı takdirde hiç bir sorumluluk kabul etmez.

önemli

- Asla susuz kullanmayın – pompa yanar.
- Makine 0°C üzerinde olmalıdır – aksi takdirde makinenin içindeki su donar ve hasara yol açar.
- Asla damlama tepsisi ve fincan ayağı olmadan kullanmayın.

fişe takmadan önce

- Elektrik kaynağınızın cihazınızın alt tarafında gösterilenle aynı olduğuna emin olun.
- Bu cihaz Elektro Manyetik Uyumluluk ile ilgili EC direktifi 2004/108/EC ve gıda ile temas eden malzemeler hakkındaki EC yönetmeliği no. 1935/2004 - 27/10/2004 ile uyumludur.

Kenwood espresso makinenizi tanıyın

- ① çıkartılabilir su haznesi
- ② kapak
- ③ buhar memesi için parmak tutucu
- ④ buhar tüpü
- ⑤ buhar memesi
- ⑥ kahve çıkışı
- ⑦ değişken buhar kontrolü
- ⑧ 1 fincan veya kahve cezvesi için küçük filtre
- ⑨ tırnak
- ⑩ sadece 2 fincan için büyük filtre
- ⑪ kahve düğmesi
- ⑫ kahve hazır gösterge ışığı
- ⑬ açma/kapatma düğmesi
- ⑭ buhar hazır gösterge ışığı
- ⑮ buhar düğmesi
- ⑯ damlama tepsisi
- ⑰ yüzer tabla
- ⑱ fincan ayağı
- ⑲ ölçü kaşığı/kahve sıkıştırıcı
- ⑳ filtre tutucu
- ㉑ filtre boşaltma kolu
- ㉒ fincan saklama tepsisi

ilk kez kahve yapmadan önce

- 1 Saat yönünde çevirerek değişken buhar kontrolünün kapalı olduğundan emin olun (aşırı sıkımayın).
- 2 Kapağı kaldırın, hazneyi çıkartın ve soğuk su ile doldurun. Asla "MAX" seviyesi üzerinde doldurmayın. Alternatif olarak kapağı kaldırın ve hazneyi bu pozisyonda doldurun.
 - Daha iyi kahve ürettiği ve kireç oluşumunu azalttığı için filtrelenmiş su kullanmanızı öneririz. Asla gazlı su veya diğer sıvıları kullanmayın.
- 3 Hazneyi tekrar yerleştirin. Doğru yerleştikten emin olun ve deponun altındaki valfin makinenin altındakile bağlantısından emin olmak için gerekirse hafif basınç uygulayın.**Önemli****Deponun içinde su olmadan makineyi asla çalıştırmayın. Seviye düştükçe üstünü tamamlayın.**
- 4 Kapağı kapatın.
- 5 Parmak tutucuyu tutun ve buhar memesini dışarı çekin ve altına bir küçük sürahiyi koyun.
- 6 Filtre tutucuyu kahve çıkışının altına yerleştirip sağa döndürerek makineye takın ①. Altına uygun büyüklükte bir kap yerleştirin.
- 7 Güç kaynağına bağlayın ve sonra açma/kapatma düğmesine basın, turuncu ışık yanacaktır. Aynı zamanda yeşil kahve hazır göstergesi yanıp sönecektir. Yeşil ışığın yanıp sönmeye durana kadar bekleyin.
- 8 Saat yönünün tersine çevirerek değişken buhar kontrolünü açın ve kahve düğmesine basın, buhar memesinden bir fincan su akmasına izin verin. Değişken buhar kontrolünü kapatın ve kahve çıkışından bir fincan suyun kaba akmasına izin verin.
- 9 Akışı durdurmak için kahve düğmesine basın, daha sonra makineyi kapatmak için açma/kapatma düğmesine basın.
- 10 Kahve makinesini bir kaç gün kullanmadığınızda bu adımları tekrarlayın.

kahve makinesini ön ısıtma

Espressonuzun doğru sıcaklıkta servis edilmesini sağlamak için kahve makinesinin önceden ısıtılması gereklidir.

- 1 Değişken buhar kontrolünün iyice kapalı olduğundan (saat yönünde çevirin) ve 1 ya da 2 fincan kahve için yeterli miktarda su olduğundan emin olun.
- 2 Filtre tutucuya istediğiniz filtreyi takın (kahve olmadan ve filtre üzerindeki tırnağın filtre tutucu üzerindeki yuvaya doğru şekilde oturduğundan emin olarak). Kahve çıkışının altına yerleştirip sağa döndürerek makineye takın ①. İyice oturduğundan emin olun.
- 3 Filtre tutucunun altına bir fincan yerleştirin. İçinde kahve servisi yapacağınız fincanın önceden ısıtılmış olduğundan emin olun.
- 4 Açma/kapatma düğmesine basın, turuncu ışık yanacaktır. Aynı zamanda yeşil kahve hazır göstergesi yanıp sönecektir. Yeşil ışığın yanıp sönmeye durana kadar bekleyin.
- 5 Kahve düğmesine basın turuncu ışık yanacaktır ve fincana sıcak su dökülecektir. Yeşil kahve hazır ışığı yanıp sönmeye başladığında, akışı durdurmak için kahve düğmesine basın.
- 6 Filtre tutucuyu çıkartın ve ya çekilmiş kahve ya da kahve kapsülü kullanarak kahveyi yapın.

çekilmiş kahve kullanarak kahve yapma

- 1 Sayfa 46'de açıklanan şekilde cihazın ön ısıtmasını yapın.
- 2 Haznedeki su olduğundan emin olun.
- 3 İsteddiğiniz filtreyi seçin.
 - Bir fincan kahve yapmak için daha küçük filtre (veya kahve kapsülü kullanırken) 2 fincan için daha büyük filtre kullanın.
- 4 Ölçü kaşığını kullanarak her fincan için bir ölçü kahve koyun, yüzeyi düzleştirin ve kahve sıkıştırıcı ile hafifçe bastırın. Kenarlarda kalan kahveleri silkeleyin.
 - Çekilmiş kahve alırken espresso kahve için uygun olduğundan emin olun.
 - Kahveyi asla çok fazla bastırmayın bu filtreyi tıkayacaktır, kahve çok yavaş süzülür, rengi çok koyu olur. Bununla birlikte eğer çok hafif bastırırsanız kahve çok hızlı süzülecektir ve rengi çok açık olacaktır, tadı çok sulu gelecektir.
- 5 Filtre tutucuyu takın. Filtre üzerindeki tırnağın filtre tutucudaki yuvaya oturduğundan emin olun.
- 6 Filtre tutucuyu kahve çıkışına yerleştirin. Sağa döndürerek kilitlemesini sağlayın ①.
 - Altına bir veya iki fincan koyun ②. Eğer bir fincan yapıyorsanız fincanı ortalayın.

- Açma/kapatma düğmesine basın ve yeşil kahve hazır göstergesi ışığı durana kadar bekleyin, sonra kahve düğmesine basın.
- Yeterli kahve olduğunda – çok fazla değil aksi takdirde çok hafif olacaktır, kahve düğmesine basın. Eğer kahve yapmıyorsanız, makineyi kapatmak için açma/kapatma düğmesine basın. Aşağıdaki tablo farklı hacimlerdeki içeceklerin hazırlanması için kahve düğmesinin ne kadar çalışması gerektiğini göstermektedir.

miktar	filtre boyutu	yaklaşık verme süresi
1 Espresso (40ml)	1 fincan	12 san
2 x Espresso (her biri 40ml)	2 fincan	25 san
1 büyük kahve (125ml)	1 fincan	32 san
2 büyük kahve (her biri 125ml)	2 fincan	65 san

- 30 saniye bekleyin sonra sola döndürerek filtre tutucuyu çıkartın.
- Çıkarttığınızda filtre üzerinde su olabilir: bu normaldir
- Filtre tutucudaki kullanılmış kahveyi çıkartmak için, tutamaktaki kolu döndürün, böylelikle ucu filtre üzerine gelecektir ③. Sonra kolu pozisyonda tutarak aşağı yukarı sallayarak içindeki kahveleri boşaltın ④.

Önemli

Kahve veya buhar fonksiyonu seçiliyken filtre tutucuyu asla boşaltmayın – buhar çıkabilir ve sizi yakabilir.

filtre kapsülü kullanarak kahve yapma

Önemli

Eğer çekilmiş kahve kullanıldıktan sonra bir fincan için filtre kullanılırsa, kahve çıkışı çevresindeki kahvelerin temizlenmesi gereklidir. Bunun yapılması filtre tutucudan su sızmasını önlemek ve optimum performans için gereklidir. Bölge sıcak olabileceği için dikkatli olun.

- Makineyi sayfa 46'de açıklanan şekilde önceden ısıtın, filtre tutucuya küçük filtreyi takın.
- Ön ısıtmadan sonra, filtre tutucuyu çıkartın ve filtreye kahve kapsülünü takın, kapsülün yönünün doğru olduğundan emin olun ⑤.
- Kapsülün filtrenin altına doğru bastırın, kağıt kanatların filtrenin iç kısmında kaldığından emin olun.
- Kapsül doğru şekilde ortalanmalı ve filtreye sıkıca yerleştirilmelidir.
- Filtre tutucuyu kahve çıkışına yerleştirin, kilitlemek için sağa çevirin ①.
- 'Espresso yapma adımlarını' takip edin.
Not – ESE standartlarına uygun kapsül kullanın.
- Kapsülün filtreye doğru şekilde yerleştirilmesi için kapsül paketi üzerindeki talimatlara uyun.



cappuccino için süt köpürtme

Önceden açıklanan şekilde espresso hazırlayın

ipucu – birden fazla cappuccino hazırlamak için, önce tüm kahveleri hazırlayın, sonra tüm cappuccinolar için gereken köpüklü sütü hazırlayın.

- Haznede su olduğundan emin olun.
- Değişken buhar kontrolünün kapalı olduğundan emin olun.
- Açma/kapatma düğmesine basın, turuncu ışık yanacaktır.
- Buhar düğmesine basın, kırmızı buhar gösterge ışığı yanıp sönecektir.
- Cihazın doğru sıcaklığa ulaştığını gösteren kırmızı ışık sürekli yanana kadar bekleyin.
- Küçük sürahinin bir kısmını süt ile doldurun – süt hacim olarak üç kar artabilir bu yüzden uygun boyutta bir sürahi seçmelisiniz. Ölçü olarak cappuccino başına 40-60 ml süt kullanabilirsiniz.
- Soğuk yarı yağlı süt en iyi sonucu verir.
- Sürahiyi bir elinizle tutarken, memeyi sütün içine yerleştirin, sütün meme üzerindeki bağlatın noktasını geçmediğinden emin olun.
- Saat yönünün aksine döndürerek değişken buhar kontrolünü açın. Sütün hacmi artmaya başlayacak ve köpüklenecektir ⑥. Sürahinin yüksekliğini ayarlayarak meme ucunun süt yüzeyinin altında kalmasını sağlayın. 20-25 saniye sonra süt buharlanmış ve köpüklenecek olacaktır.
- Değişken buhar kontrolünü saat yönünde döndürerek buharı durdurun.
- Sütün kaynamasına asla izin vermeyin, bu kahvenin tadını bozacaktır.
- Buhar düğmesine basın.
- Köpüklenecek sütü espresso kahvenin bulunduğu fincana dökün. Latte kahve için köpüğü tutun ve sadece buharlanmış süt ekleyin.
- Önemli** – Buhar memesini bir seferde asla iki dakikadan fazla çalıştırmayın ve kullandıktan sonra memeyi her zaman temizleyin.
- Kapamak için açma/kapatma tuşuna basın.

sütü köpürttükten sonra espresso yapma

Önemli

Buhar fonksiyonunu kullandıktan hemen sonra filtre tutucuyu asla yuvasından çıkartmayın.

Eğer sütü köpürttükten sonra espresso yapıyorsanız, kahvenizi yakabilecek aşırı sıcak sudan kurtulmanız gereklidir. Şu şekilde -

- Buhar düğmesini kapatın.
- Haznede su olduğundan emin olun ve buhar memesinin altına küçük sürahi yerleştirin.
- Saat yönünün tersine döndürerek değişken buhar kontrolünü açın ve kahve düğmesine basın (memeden su/buhar çıkacaktır). Yeşil ışığın yanıp sönmesini bekleyin, sonra değişken buhar kontrolünü kapatın ve kahve düğmesini kapatın
- Yeşil ışık sürekli yanana kadar bekleyin. Bu olduğunda, makine kahve yapmaya hazırdır.

temizleme

buhar memesi

Buhar memesini temizlemeden önce, temizliğe yardımcı olması için memeden biraz sıcak su akmasına izin verin. Bu, buhar çıkışı olduktan hemen sonra yapılmalıdır. Şu şekilde -

- Buhar düğmesinin kapalı olduğundan ve buhar memesi altında küçük sürahi olduğundan emin olun.
- Buhar düğmesini kapatın.
- Saat yönünün aksine döndürerek buhar kontrolünü açın.
- Kahve düğmesini açın ve yaklaşık 10 saniye çalıştırarak memeden sıcak su akmasına izin verin.
- Kahve düğmesini kapatın sonra saat yönünde döndürerek değişken buhar kontrolünü kapatın.
- Makineyi kapatmak için açma/kapatma tuşuna basın.
- Daha fazla temizlik yapmadan önce, fişi çekin ve her şeyin soğumasını bekleyin.
- Cihazı asla suya sokmayın.
- Parçaları bulaşık makinesinde yıkamayın.

buhar memesi

- Saat yönünde çevirerek hortumun vidalarını sökün, sonra iyice yıkayın. Gösterilen 3 deliğin tıkalı olmadığından emin olun ⑩. Gerekirse bir iğne ile tıkanıklıkları açın.
- Buhar tüpünü temizleyin. Ucunun tıkalı olmadığından emin olun.
- Hortumu akıtma tüpünün üzerine yeniden vidalayın.

hazne, kapak, filtre tutucu

- Yıkayın, durulayın ve kurulayın.

filtre (bir ve iki fincan tip)

- Her kullanımdan sonra yıkayın ve kurulayın.
- Yaklaşık her 100 kullanımdan sonra aşağıda açıklanan şekilde sökün ve daha detaylı şekilde temizleyin.
- Gösterilen yöne döndürerek filtrenin altındaki kapağı çıkartın ⑦. Alttan ittirerek krema cihazını çıkartın ⑧. Contayı ⑨ yana çekerek ve plastik disk ile metal filtreyi ⑩ çıkartarak krema cihazının bileşenlerini ayırın. Parçaları iyice yıkayın. Metal filtreyi sıcak ve fırça ⑪ ile yıkayın. Metal filtre üzerindeki deliklerin tıkalı olmadığından emin olun. Gerektiğinde iğne ile temizleyin ⑫. Parçaları kurutun, yeniden birleştirin, parçaların doğru şekilde takıldığından emin olun.

fincan ayağı, damlama tepsisi

- Damlama tepsisini düzenli olarak boşaltın. Dolduğunda bunu fark ederseniz, damlama tepsisinin ortasındaki kırmızı yüzer parça delikten görünür hale gelir.
- Yıkayın ve kurutun.

kahve çıkışı

- Her kullanımdan sonra bu alanın temiz olduğundan ve kahve artığı olmadığından emin olun. Silerek temizleyin ve gerekliyse daha detaylı temizlik için aşağıdakileri yapın. Bu alanın temiz tutulmaması yapılan kahvenin kalitesini etkileyebilir ve cihaza zarar verebilir.
- Tornavida ⑭ kullanarak kahve çıkışını yerinde tutan vidayı sökün (iç kapağı çıkartmayın).
- Alanı ıslak bezle temizleyin.
- Temizlediğiniz çıkışı sıcak sabunlu su ve fırça ile temizleyin. İyice durulayın. Deliklerin tıkalı olmadığından emin olun, gerekirse bir iğne ile temizleyin.

4 Çıkışı takmak için yukarıdaki işlemi tersine uygulayın.

Kahve çıkışını ve filtreleri belirtilen şekilde temizlememek garantiyi geçersiz kılar.

kireç temizleme

200 fincan kahve yapıldıktan sonra kahve makinesinde kireç temizlenmesi önerilir.

- 1 Espresso kahve makineleri için özel olarak hazırlanmış kireç temizleme ürünü kullanmanızı öneririz. Kireç temizleme ürünü üzerinde önerilen miktarları kullanın ancak 1 litre hazne kapasitesini aşmayın.
- 2 Filtre tutucunun takılı olmadığından emin olun ve kahve çıkışının altına bir kap, buhar memesinin altına küçük sürahi koyun.
- 3 Açma/kapatma düğmesine basın sonra kahve düğmesine basın ve saat yönünün aksine döndürerek değişken buhar kontrolünü açın ve buhar memesinden bir fincan su akmasına izin verin. Değişken buhar kontrolünü kapatın ve kahve çıkışından bir fincan suyun akmasına izin verin. Yeşil ışığın yanıp sönmesinin durmasını beklemeyin.
- 4 Kahve makinesini kapatın ve fişini çekerek makineyi 15 dakika bekletin.
- 5 Adım 3'ü tekrarlayın ve kireç çözücünün makineden akmasına izin verin. Kapatın.
- 6 Hazneyi iyice yıkayın ve temiz su ile doldurun.
- 7 Sıcak su memesinden ve kahve çıkışından su akışı için adım 3'ü tekrarlayın. Bir hazne dolusu temiz su ile tekrarlayın. Bu tüm kireç çözücü kalıntılarını temizleyecektir.

Düzenli kireç temizliği yapılmadığı takdirde kireç oluşumu sebebiyle oluşan arızaların onarımı garanti kapsamına dahil olmayacaktır.

servis ve müşteri hizmetleri

- Kablo hasar görürse, güvenlik nedeniyle, KENWOOD ya da yetkili bir KENWOOD tamircisi tarafından değiştirilmelidir.

Aşağıdakilerle ilgili yardıma ihtiyacınız olursa:

- cihazınızın kullanımı veya

- servis veya tamir

Cihazınızı satın aldığınız yerle bağlantı kurun.

- Kenwood tarafından İngiltere'de dizayn edilmiş ve geliştirilmiştir.

- Çin'de üretilmiştir.



ÜRÜNÜN AT DİREKTİFİ 2002/96/AT İLE UYUMLU OLARAK DOĞRU ŞEKİLDE BERTARAF EDİLMESİ İÇİN ÖNEMLİ BİLGİ.

Kullanım ömrünün sonunda ürün evsel atıklarla birlikte atılmamalıdır.

Ürün yerel yetkililerce belirlenmiş atık toplama merkezine veya bu hizmeti sağlayan bir satıcıya götürülmelidir. Ev aletlerinin ayrı bir şekilde atılması çevre üzerindeki olası negatif etkileri azaltır ve aynı zamanda mümkün olan malzemelerin geri dönüşümünü sağlayarak önemli enerji ve kaynak tasarrufu sağlar. Ev aletlerinin ayrı olarak atılması gerekliliğini hatırlatmak amacıyla üzeri çarpı ile işaretlenmiş çöp kutusu resmi kullanılmıştır.

sorun giderme kılavuzu

sorun	olası sebep	çözüm
Makineden espresso kahve çıkmıyor.	<ul style="list-style-type: none"> • Kahve nemli ve/veya filtreye çok fazla bastırılmış. • Filtre tutucu üzerindeki delikler tıkalı. • Kahve çıkışı tıkalı. • Hazne yanlış takılmış ve alttaki valf açık değil. • Krema cihazı üzerindeki delikler tıkalı 	<ul style="list-style-type: none"> • Espresso için uygun kahve kullandığınızdan emin olun. Kahveyi filtreye daha hafif bastırın ve gerekiyorsa farklı boyutta çekilmiş kahve kullanın. • Çıkıştaki delikleri temizleyin • Temizleme bölümünde açıklanan şekilde temizleyin. • Hazneyi alttaki valfi açacak şekilde hafifçe bastırın • Krema cihazını söküp ⑧ ve parçaları iyice temizleyin. Bkz. Temizleme (filtre) bölümü.
Espresso kahve delikler yerine filtre tutucunun yanlarından damlıyor.	<ul style="list-style-type: none"> • Filtre tutucu makineye yanlış takılmış. • Espresso kaynatıcısının contası elastikiyetini kaybetmiş. • Filtre tutucu üzerindeki delikler tıkalı. • Kahve filtresine çok fazla kahve konmuş. 	<ul style="list-style-type: none"> • Filtre tutucuyu tekrar takın, doğru yerleştirdiğinizden ve sağa döndürdüğünüzden emin olun. • Contayı değiştirin. Servis ve Müşteri Hizmetlerine bakın. • Çıkıştaki delikleri temizleyin. • Kahve miktarını azaltın.
Espresso kahve soğuk	<ul style="list-style-type: none"> • Makinenin ön ısıtması yapılmamış. • Kahve düğmesine basıldığında yeşil kahve hazır ışığı yanmıyordu. 	<ul style="list-style-type: none"> • Kahve makinesinin ön ısıtması için talimatları izleyin. • Kahve makinesinin ön ısıtması için talimatları izleyin. Kahve düğmesine basmadan önce yeşil kahve hazır ışığının yanıp sönmemesinin durmasını bekleyin.
Pompa çok gürültülü.	<ul style="list-style-type: none"> • Su haznesi boş. • Hazne yanlış takılmış ve alttaki valf açık değil. 	<ul style="list-style-type: none"> • Su haznesini suyla doldurun. • Hazneyi alttaki valfi açacak şekilde hafifçe bastırın.
Kahve kreması çok açık renkli ve kahve çok hızlı boşaldı.	<ul style="list-style-type: none"> • Çekilmiş kahve yeterince bastırılmamış. • Yetersiz miktarda çekilmiş kahve kullanılmış. • Çok fazla kahve verilmiş. • Kullanılan kahve uygun değil. 	<ul style="list-style-type: none"> • Kahveyi daha fazla bastırın. • Filtredeki kahve miktarını arttırın. • Fincanlara verilen kahve miktarını azaltın. • Kullanılan kahve türünü değiştirin.
Kahve kreması çok koyu renkli ve kahve çok yavaş boşaldı.	<ul style="list-style-type: none"> • Çekilmiş kahve çok fazla bastırılmış. • Kahve çıkışı tıkalı. • Çok fazla kahve kullanılmış. • Kahve çok ince çekilmiş. • Kullanılan kahve uygun değil. 	<ul style="list-style-type: none"> • Kahveyi daha az bastırın. • Temizleme bölümünde açıklanan şekilde temizleyin. • Miktarı azaltın. • Kahveyi değiştirin, espresso makinesi için uygun olanını satın alın. • Kahveyi değiştirin, espresso makinesi için uygun olanını satın alın.
Kahve asidik lezzete sahip.	<ul style="list-style-type: none"> • Kireç çözme sonrasında makine iyi yıkanmamış. 	<ul style="list-style-type: none"> • Makineyi bir kaç kez temiz su ile yıkayın ve tüm bileşenleri durulayın, bkz temizleme.
Cappuccino yaparken süt köpürmüyor	<ul style="list-style-type: none"> • Süt yeterince soğuk değil. • Cappuccino hazırlayıcı kirlidir. 	<ul style="list-style-type: none"> • Daima dolaptan çıkma süt kullanın. • Yağ oranı farklı bir süt deneyin. • Buhar tüplerini ve memeleri temizleyin. Bkz. Temizlik.

před prvním použitím

- 1 přečtěte si pečlivě pokyny v této příručce a uschovejte ji pro budoucí použití.
- 2 Odstraňte veškerý obalový materiál a nálepky.
- 3 Omyjte části spotřebiče, viz oddíl „čištění“.
- 4 Přístroj propláchněte čistou vodou, viz oddíl „před uvařením první kávy“.

bezpečnost

- Nikdy nevyjímejte držák filtru v průběhu vaření kávy nebo když se tvoří pára – mohlo by dojít k úniku páry a opaření.
- Dávejte pozor, abyste se nespálili o:
 - horké díly, např. o trysku na páru, plato na zahřívání šálků, držák filtru nebo výstup (výpust) tekuté kávy.
 - pozor také na páru vycházející z trysky nebo horkou kávu z výstupu.
- Přístroj chraňte před dětmi. Nenechávejte šňůru viset tam, kde by ji dítě mohlo stáhnout k sobě.
- Přístroj nepoužívejte, pokud je poškozen. Nechte jej zkontrolovat nebo opravit, viz oddíl „servis“.
- Přístroj nesmí být ponořen do vody a šňůra s koncovkou se nesmí namočit nebo zvlhnout – hrozí úraz elektrickým proudem.
- Přístroj odpojte od sítě:
 - před plněním vodou
 - před čištěním
 - po použití.
- Přístroj nenechávejte zapnutý bez dozoru.
- Přírodní kabel se nesmí dotýkat horkých součástí přístroje.
- Toto příslušenství by neměly používat osoby (včetně dětí) trpící fyzickými, smyslovými či psychickými poruchami ani osoby bez náležitých znalostí a zkušeností. Pokud jej chtějí používat, musí být pod dozorem osoby odpovědné za jejich bezpečnost nebo je tato osoba musí poučit o bezpečném používání příslušenství.
- Dohlédněte, aby si děti s přístrojem nehrály.
- Toto zařízení je určeno pouze pro domácí použití. Společnost Kenwood vylučuje veškerou odpovědnost v případě, že zařízení bylo nesprávně používáno nebo pokud nebyly dodrženy tyto pokyny.

důležité

- Spotřebič nikdy nepoužívejte, pokud v něm není voda – jinak hrozí spálení čerpadla.
- Spotřebič nesmí být vystaven teplotě nižší než 0°C – jinak dojde ke zamrznutí vody a poškození přístroje.
- Přístroj nepoužívejte bez okapového platu nebo platu na zahřívání šálků.

před připojením k síti

- Zkontrolujte, zda napětí místní sítě odpovídá typovému štítku na spodní straně stroje.
- Tento spotřebič splňuje směrnici EC 2004/108/EC o elektromagnetické kompatibilitě a směrnici EC č. 1935/2004 ze dne 27/10/2004 o materiálech určených pro kontakt s potravinami.

seznámení s přístrojem Kenwood na přípravu espressa

- 1 vyjímatelný zásobník na vodu
- 2 víko
- 3 ruční úchyt na trysce na páru
- 4 trubice vedoucí páru
- 5 tryska na páru
- 6 výstup na kávu
- 7 otočný regulátor páry
- 8 filtr na přípravu kávy z dávky do 1 šálku nebo z kávové kapsle
- 9 zarážka
- 10 velký filtr na přípravu kávy z dávky do 2 šálků
- 11 tlačítko na kávu
- 12 kontrolka indikující stav kávy (hotovo)
- 13 tlačítko pro zapnutí/vypnutí (on/off)
- 14 kontrolka indikující stav páry (hotovo)
- 15 tlačítko na páru
- 16 odkapávač
- 17 plovák
- 18 stojan na šálky
- 19 odměrka/pěchovač kafe
- 20 držák filtru
- 21 páčka pro vyprázdnění filtru
- 22 tácek pro uložení šálků

před uvařením první kávy

- 1 Otočný regulátor musí být uzavřený – otočením ve směru hodinových ručiček (neutahujte příliš).
 - 2 Zdvihnete víko, vyjměte zásobník na vodu a naplňte nádobu studenou vodou. Nepřepínáje nad značku MAX. Nebo sejměte víko a naplňte zásobník přímo v přístroji.
 - Doporučujeme používat filtrovanou vodu, získáte tak lepší kávu a ve stroji se neusazuje tolik vodního kamene. Nepoužívejte perlivou (sycenou) vodu.
 - 3 Vložte zásobník zpět do přístroje. Zkontrolujte, zda je správně vložen a dle potřeby na něj lehce zatlačte tak, aby se ventil na spodní straně nádrže napojil na spodní stranu spotřebiče.
- Důležité**
Přístroj neprovozujte, pokud v zásobníku není dost vody. Vodu doplňte, jakmile hladina poklesne ke značce LOW.
- 4 Zavřete víko.
 - 5 Uchopte ruční úchyt na trysce na páru, tryskou otočte a umístěte pod ní džbáněk.
 - 6 Upevněte držák filtru tím, že jej umístíte pod výstup tekuté kávy a otočíte doprava 1. Pod filtr dejte nádobu vhodné velikosti.
 - 7 Zapojte do sítě, stiskněte tlačítko on/off. Kontrolka tlačítka se rozsvítí oranžově. Zároveň začne blikat zelená kontrolka indikující stav kávy. Počkejte, dokud kontrolka nepřestane blikat.
 - 8 Otočte regulátorem páry proti směru hodinových ručiček, stiskněte tlačítko na kávu a nechte vytéct jeden šálek vody z trysky. Regulátorem uzavřete a ponechte vytéct jeden šálek kávy z výstupu na kávu do přistavené nádoby.
 - 9 Stiskněte tlačítko na kávu pro zastavení toku vody, poté stiskněte vypínač off/on a přístroj vypněte.
 - 10 Tyto kroky opakujte vždy, pokud kávovar několik dní nepoužíváte

nahřátí kávovaru

Aby mělo podávané espresso správnou teplotu, musí být kávovar řádně nahřátý.

- 1 Zkontrolujte, že otočný volič je zavřený (otočením po směru hodinových ručiček) a v zásobníku na vodu je voda na 1 až 2 šálky.
- 2 Nasaďte do držáku filtru požadovaný filtr (bez kávy) tak, aby zarážka na filtru zapadla do otvoru na držáku filtru. Držák s filtrem nasaďte do přístroje pod výstup horké kávy a zajistěte otočením doprava 1. Zkontrolujte, zda filtr drží na místě.
- 3 Vložte pod držák filtru šálek. Použitím stejného šálku, ve kterém budete podávat kávu, zaručíte, že šálek je dostatečně nahřátý.
- 4 Stiskněte tlačítko on/off, rozsvítí se oranžová kontrolka a zároveň začne blikat zelená kontrolka. Počkejte, dokud zelená kontrolka nepřestane blikat.
- 5 Stiskněte tlačítko na kávu, rozsvítí se oranžová kontrolka a do šálku se uvolní horká voda. Až zelená kontrolka začne opět blikat, stiskněte tlačítko na kávu ještě jednou a tok vody se zastaví.
- 6 Vyjměte držák filtru a přistupte k přípravě kávy z mleté kávy nebo kávových kapslí.

příprava espressa z mleté kávy

- 1 Nahřejte přístroj dle instrukcí na straně 50.
- 2 Zkontrolujte, že v zásobníku je voda.
- 3 Vyberte požadovaný filtr.
- Menší filtr je určen k přípravě jednoho šálku kávy (nebo k přípravě kávy z kávových kapslí) a větší k přípravě 2 šálků.
- 4 Kávu dávkujte odměrkou, dávka na jeden šálek odpovídá jedné zarovnané odměrce. Směs kávy lehce upěchujte plochou stranou odměrky. Odstraňte rozsypanou kávu z okrajů filtru.
- Při nákupu kávové směsi se ujistěte, zda jde o kávu vhodnou do přístrojů na espresso.
- Kávu nepřechujte příliš, nebo bude téci pomalu a pěna bude tmavá. Při příliš slabém napěchování naopak káva poteče příliš rychle, pěna bude světlá a káva bude chutnat příliš vodově.
- 5 Osadte držák filtru. Ujistěte se, že zarážka na filtru zapadá do otvoru na držáku filtru.
- 6 Držák s filtrem nasaďte do přístroje pod výstup horké kávy a zajistěte otočením doprava 1.
- Pod filtr položte jeden nebo dva šálky 2. Pokud připravujete pouze jeden šálek kávy, postavte jej doprostřed.
- 7 Stiskněte tlačítko on/off a počkejte, dokud zelená kontrolka nepřestane blikat, poté stiskněte tlačítko na kávu.

- 8 V okamžiku, kdy je v šálku požadované množství kávy, opět stiskněte tlačítko na kávu. Příliš mnoho vody způsobí, že káva bude slabá. Pokud nepotřebujete více kávy, vypněte přístroj tlačítkem on/off. Následující tabulka nabízí přehled, jak dlouho musíte držet tlačítko na kávu stisknuté pro přípravu různého množství kávy.

množství	velikost filtru	přibližná doba stisknutí tlačítka
1 espresso (40 ml)	1 šálek	12 sekund
2 x espresso (po 40 ml)	2 šálky	25 sekund
1 velké kafe (125 ml)	1 šálek	32 sekund
2 velké kafe (po 125 ml)	2 šálky	65 sekund

- 9 Počkejte asi 30 sekund a poté vyjměte držák filtru otočením doleva.
- Na filtru při vyjmutí bude voda, to je normální.
- 10 Použitou kávovou směs z držáku filtru odstraníte otočením páčky na rukojeti tak, že její konec spočine nad filtrem ④. Držte páčku v této poloze a držák s filtrem otočte vzhůru nohama a vyklepte kávovou směs ④.

Důležité

Nikdy nevyjímejte držák filtru, dokud je otočný regulátor v poloze káva nebo pára – mohlo by dojít k úniku páry a opaření.

příprava kávy z kávových kapslí

Důležité

Pokud po přípravě espressa z mleté kávy vkládáte do filtru kávové kapsle, musíte odstranit zbytky mleté kávy z okolí výstupu tekuté kávy. Toto opatření je nutné pro zamezení úniku vody a optimální výkon přístroje. Při čištění pozor, tato místa mohou být horká.

- 1 Nahřejte stroj podle instrukcí na straně 50. Do držáku filtru vložte menší filtr.
 - 2 Po nahřátí přístroje vyjměte držák filtru a umístěte kávovou kapsli do filtru a zajistěte, aby byla ve správné poloze ⑤.
 - 3 Stlačte kapsli směrem k dolní části filtru, přičemž chlopně kapsle musí Inout k vnitřní části filtru.
 - 4 Kapsle musí být ve filtru vycentrována a pevně v něm držet.
 - 5 Držák filtru umístěte pod výstup tekuté kávy a otočením doprava jej zajistěte do správné polohy ①.
 - 6 Postupujte podle pokynů v oddílu „příprava espressa“.
- Poznámka – používejte kapsle vyhovující normě ESE.
- Vždy dodržujte pokyny uvedené na krabici s kávovými kapslemi, pokud jde o správnou polohu kapslí na filtru.



pěnění mléka na cappuccino

Připravte espresso podle výše uvedeného postupu.

tip – pokud budete vařit více šálků cappuccina, připravte nejprve kávu a až poté zpěněné mléko do všech šálků.

- 1 Zkontrolujte, že v zásobníku je voda.
 - 2 Zkontrolujte, že otočný volič je v poloze zavřeno.
 - 3 Stiskněte tlačítko on/off a rozsvítí se oranžová kontrolka.
 - 4 Stiskněte tlačítko na páru a rozblíká se červená kontrolka stavu páry.
 - 5 Počkejte, dokud červená kontrolka nepřestane blikat a nezačne svítit setrvale, což indikuje, že přístroj dosáhl požadované teploty.
 - 6 Naplňte džbánku částečně mlékem – mléko může nabýt až trojnásobek objemu, proto musí být džbán dost velký. Použijte přibližně 40-60 ml mléka na jedno cappuccino.
- Nejlépe je použít studené polotučné mléko.
- 7 Džbán držte jednou rukou a umístěte trysku do mléka tak, aby výška mléka nepřesahovala kloub trysky.
 - 8 Otočte voličem proti směru hodinových ručiček. Mléko začne zvětšovat svůj objem a pění ⑥. Upravujte polohu džbánu tak, aby ústí trysky bylo vždy pod hladinou mléka. Po asi 20-25 sekundách bude mléko napěněné.
 - 9 Zastavte páru z trysky otočením regulátoru ve směru hodinových ručiček.
- Mléko se nesmí svařit – tím se zkazí chuť kávy.
- 10 Stiskněte tlačítko na páru.
 - 11 Zpěněné mléko nalijte do šálků s připraveným espressem. Pro přípravu kávy latté přidržete pěnu v džbánu a přidejte pouze horké mléko.
- Důležité** – trysku na páru nezapínejte na déle než 2 minuty v kuse a vždy ji po použití vyčistěte.
- 12 Stiskněte tlačítko on/off pro vypnutí přístroje.

příprava espressa po zpěnění mléka

Důležité

Držák filtru nikdy nevyjímejte hned poté, co jste vypustili páru.

Pokud připravujete espresso po zpěnění mléka, musíte se zbavit přehřáté vody, která by kávu spálila. Správný postup je následující:

- 1 Vypněte tlačítko na páru.
- 2 Zkontrolujte, že v zásobníku je voda a položte džbán pod trysku na páru.
- 3 Otočte voličem proti směru hodinových ručiček a stiskněte tlačítko na kávu (z trysky poteče voda/pára). Počkejte, až začne blikat zelená kontrolka, poté otočte voličem do polohy zavřeno a stiskem vypněte tlačítko na kávu.
- 4 Počkejte chvíli, dokud zelená kontrolka nezačne svítit setrvale. Když tomu tak je, znamená to, že přístroj je připraven k přípravě kávy.

čištění

tryska na páru

Před čištěním nechte tryskou protéct horkou vodou, což napomůže jejímu vyčištění. To je nutné udělat ihned po vypuštění páry z trysky. Zde je postup:

- 1 Ujistěte se, že v zásobníku je voda a pod ústím trysky je umístěná nádoba.
- 2 Vypněte tlačítko na páru.
- 3 Otočte voličem do polohy otevřeno, proti směru hodinových ručiček.
- 4 Stiskněte tlačítko na kávu a držte po dobu asi 10 sekund, aby tryskou protéklo dostatečné množství horké vody.
- 5 Vypněte tlačítko na kávu a zavřete otočný volič otočením ve směru hodinových ručiček.
- 6 Stiskněte tlačítko on/off a přístroj se vypne.

- Před dalším čištěním přístroj vypojte ze sítě a ponechte vychladnout.
- Přístroj nikdy neponořujte do vody.
- Součásti přístroje nemýjte v myčce.

Tryska na páru

- 1 Trysku vyšroubujte otáčením ve směru hodinových ručiček a důkladně omyjte. Zkontrolujte, zda nejsou tři otvory v trysce ucpány ⑬. Dle potřeby je pročistěte špendlíkem.
- 2 Očistěte výstupní trubku páry. Zkontrolujte, zda není konec ucpáný.
- 3 Našroubujte trysku zpět na výstupní trubku.

zásobník, víko, držák filtru

- Omyjte, opláchněte a nechte vyschnout.

filtr (pro přípravu 1 nebo 2 šálků)

- Po každém použití omyjte a osušte.
- Po přibližně 100 použitích demontujte a důkladně vyčistěte podle níže uvedeného postupu.
- Otočením ve směru šipky ⑦ demontujte víčko ze spodní strany filtru. Zařízení na tvorbu pěny vyjměte vytlačněním zespodu ⑧. Díly zařízení na tvorbu pěny od sebe oddělte vytážením plochého těsnění do strany ⑨ a vyjmutím plastového kolečka a kovového filtru ⑩. Díly důkladně opláchněte. Kovový filtr čistěte v horké vodě kartáčem ⑪. Otvory v kovovém filtru nesmí být ucpané. Dle potřeby je pročistěte špendlíkem ⑫. Díly osušte a poté znovu řádně smontujte.

stožan na šálky, okapové plato

- Okapové plato pravidelně vyprazdňujte. Že je plné, poznáte podle červeného plováku uprostřed, který vystoupá a vy jej uvidíte v otvoru uprostřed stožanu na šálky.
- 1 Omyjte a osušte.

výstup tekuté kávy

- Očistěte tuto oblast od zbytků kávové směsi po každém použití. Otřete dočista a v případě nutnosti proveďte důkladnější čištění podle níže popsaného postupu. Nedostatečné čištění této oblasti bude mít negativní dopad na kvalitu kávy a může vést k poškození přístroje.
- 1 Šroubovákem ⑭ vyšroubujte šroub, který drží na místě výstup na kávu (nevyjímejte vnitřní kryt).
 - 2 Oblast očistěte vlhkým hadříkem.
 - 3 Demontovaný výstup důkladně omyjte v horké mýdlové vodě pomocí kartáče. Důkladně vypláchněte. Zkontrolujte, zda nejsou otvory ucpány, dle potřeby je pročistěte špendlíkem.
 - 4 Namontujte výstup zpět do stroje podle výše uvedeného postupu, v obráceném pořadí.
- Neprovádění pravidelného čištění výstupu a filtrů dle tohoto postupu má za následek ztrátu záruky na váš spotřebič.

odstraňování vodního kamene

Odstranit vodní kámen z kávovaru se doporučuje po přípravě 200 šálků kávy.

- 1 Doporučujeme zakoupit speciální přípravek k odstranění vodního kamene z kávovarů na espresso. Použijte množství doporučené výrobcem přípravku, nepřekračujte však kapacitu zásobníku 1 litr.
- 2 Zkontrolujte, že není připojen držák na filtr a pod výstup umístěte misku a džbánec pod trysku na páru.
- 3 Stiskněte tlačítko on/off, poté tlačítko na kávu a poté pootočte voličem do polohy otevřeno proti směru hodinových ručiček a ponechte vytéct množství jednoho šálku vody z trysky. Voličem otočte do zavřené polohy a ponechte vytéci jeden šálek vody z výstupu na kávu. Nečekejte, až zelená kontrolka přestane blikat.
- 4 Přístroj vypněte a vypojte ze sítě a ponechte v klidu po dobu 15 minut.
- 5 Opakujte krok 3, aby všechny prostředek na odstraňování vodního kamene mohl vytéct z přístroje. Přístroj vypněte.
- 6 Zásobník na vodu důkladně vypláchněte a naplňte čerstvou vodou.
- 7 Opakujte krok 3 a umožněte tak, aby voda propláchla trysku a výstup na kávu. Opakujte s plným zásobníkem čerstvé vody. Tím se zbavíte všech zbytků odstraňovače vodního kamene.

Opravy vynucené v důsledku hromadění vodního kamene v přístroji nejsou kryty zárukou, pokud není pravidelně prováděno čištění.

servis a údržba

- Je-li napájecí kabel poškozen, musí jej z bezpečnostních důvodů vyměnit KENWOOD nebo autorizovaný servisní technik KENWOOD.

Pokud potřebujete pomoc:

- s obsluhou a údržbou příslušenství nebo
- servisem či opravou, obraťte se na prodejnu, v níž jste přístroj zakoupili.
- Zkonstruováno a vyvinuto společností Kenwood ve Velké Británii.
- Vyrobeno v Číně.



INFORMACE PRO SPRÁVNÉM SEŠROTOVÁNÍ VÝROBKU VE SMYSLU EVROPSKÉ SMĚRNICE 2002/96

Po ukončení doby své životnosti nesmí být výrobek odklizen společně s domácím odpadem. Je třeba zabezpečit jeho odevzdání na specializovaná místa sběru tříděného odpadu, zřizovaná městskou správou anebo prodejcem, který zabezpečuje tuto službu. Oddělené sešrotování elektrospotřebičů je zárukou prevence negativních vlivů na životní prostředí a na zdraví, které způsobuje nevhodné nakládání, umožňuje recyklaci jednotlivých materiálů, a tím i významnou úsporu energií a surovin. Pro účely zdůraznění povinnosti tříděného sběru odpadu elektrospotřebičů je na výrobku zaškrtnutý příslušný symbol pro sběr tříděného odpadu.

problémy a jejich řešení

problém	možná příčina	řešení
Ze stroje neteče espresso.	<ul style="list-style-type: none"> • Káva je vlhká nebo je ve filtru příliš upěchovaná. • Ucpané otvory na výstupu filtru. • Ucpaný výstup tekuté kávy. • Nesprávně nasazený zásobník na vodu, ventil na dně není otevřený. • Ucpané otvory v zařízení na tvorbu pěny. 	<ul style="list-style-type: none"> • Zkontrolujte, zda používáte kávu určenou do strojů na espresso. Kávu ve filtru pěchujte méně nebo přejděte na jinak mletou kávu. • Očistěte otvory na výstupu filtru. • Očistěte podle pokynů v sekci „čištění“. • Lehce zatlačte na zásobník na vodu tak, aby se otevřel ventil na dně. • Demontujte zařízení na tvorbu pěny 8 a důkladně očistěte všechny díly, viz sekce „čištění“ (filtr).
Espresso kape z okrajů držáku filtru a ne z výstupních otvorů.	<ul style="list-style-type: none"> • Nesprávné vložení držáku filtru. • Ztráta pružnosti plochého těsnění. • Ucpané otvory na výstupu filtru. • Příliš velké množství kafe ve filtru. 	<ul style="list-style-type: none"> • Vyměňte a znovu vložte držák filtru, zkontrolujte, zda je vložen správně a otočte jím doprava. • Nechte těsnění vyměnit, viz „servis a služba zákazníkům“. • Očistěte otvory na výstupu filtru. • Použijte menší množství kafe.
Espresso je studené.	<ul style="list-style-type: none"> • Přístroj nebyl nahřátý. • Nesvítila zelená kontrolka stavu kávy, když jste stiskli tlačítko na kávu. 	<ul style="list-style-type: none"> • Postupujte podle instrukcí pro nahřátí přístroje. • Počkejte, až zelená kontrolka přestane blikat předtím, než stisknete tlačítka na kávu.
Čerpadlo je příliš hlučné.	<ul style="list-style-type: none"> • Zásobník na vodu je prázdný. • Zásobník na vodu je špatně nasazen a ventil na dně není otevřený. 	<ul style="list-style-type: none"> • Naplňte zásobník vodou. • Lehce na zásobník zatlačte, aby se otevřel ventil na dně.
Pěna na kávě je příliš světlá a teče příliš rychle.	<ul style="list-style-type: none"> • Mletá káva nebyla dostatečně stlačena. • Bylo použito nedostatečné množství kávy. • Bylo použito příliš mnoho kávy. • Káva není vhodná k přípravě espressa. 	<ul style="list-style-type: none"> • Stlačte kávu silněji. • Navyšte množství kávy ve filtru. • Snižte množství kávy dávkované do šálku (šálků). • Použijte jiný druh kávy.
Kávová pěna má tmavou barvu a teče příliš pomalu.	<ul style="list-style-type: none"> • Mletá káva byla příliš stlačena. • Výstup horké kávy je ucpán. • Bylo použito příliš mnoho kávy. • Káva je příliš jemně umletá. • Káva není vhodná k přípravě espressa. 	<ul style="list-style-type: none"> • Kávu méně stlačte. • Čistěte podle pokynů v sekci „čištění“. • Dávkujte menší množství kávy. • Přejděte na jinou značku kávy a použijte kávu vhodnou do strojů na espresso. • Přejděte na jinou značku kávy a použijte kávu vhodnou do strojů na espresso.
Káva je nakyslá.	<ul style="list-style-type: none"> • Stroj nebyl po odstranění vodního kamene řádně propláchnut. 	<ul style="list-style-type: none"> • Propláchněte stroj několika dávkami čisté vody a opláchněte všechny součásti, viz oddíl „čištění“.
Mléko při přípravě cappuccina dostatečně nepění.	<ul style="list-style-type: none"> • Mléko není dost studené. • Přístroj na cappuccino je znečištěn. 	<ul style="list-style-type: none"> • Mléko na cappuccino vždy berte z chladničky. • Zkuste mléko s jinou tučností. • Očistěte výstupní trubku páry i trysku, viz sekce „čištění“.

A használati utasítás olvasása közben hajtsa ki az első oldalt, hogy az illusztrációk is láthatók legyenek.

első használat előtt

- 1 Alaposan olvassa át ezeket az utasításokat és őrizze meg későbbi felhasználásra!
- 2 Távolítsa el minden csomagolóanyagot és címkét!
- 3 Mossa el az alkatrészeket: lásd a "Tisztítás" c. részt.
- 4 Öblítse le a készüléket tiszta vízzel: lásd "Az első kávé készítése előtt" c.részt.

biztonság

- Soha ne távolítsa el a szűrő tartót kávé főzése alatt, vagy gőzölés közben - ugyanis a gőz kiáramolhat és megégetheti önt.
- Vigyázzon, nehogy megégesse magát:
 - a készülék forró részeivel, beleértve a gőz/forró víz fúvókát, a szűrő tartót és a kávé kimenetet.
 - a gőzzel a fúvókából, vagy a kávé kimenetből kiáramló gőzzel vagy kávéval.
- Ne engedjen gyerekeket a készülék közelébe, és soha ne hagyja a zsinórt olyan helyen lógni, ahol gyerekek is könnyen elérhetik.
- Sérült készülék használata tilos. A sérült készüléket nézesse vagy javíttassa meg: lásd a "szerviz és ügyfélszolgálat" című részt.
- Soha ne tegye a készüléket vízbe, és kerülje el, hogy a zsinórt vagy a dugaszt nedvesség érje - ez ugyanis áramütéshez vezethet.
- Mindig húzza ki a csatlakozó zsinórt:
 - víz betöltése előtt
 - tisztítás előtt
 - használat után.
- Soha ne hagyja a működő készüléket felügyelet nélkül.
- Ne engedje, hogy a csatlakozó zsinór hozzáérjen a készülék forró részeihez.
- A készüléket nem üzemeltethetik olyan személyek (a gyerekeket is beleértve), akik mozgásukban, érzékszerveik tekintetében vagy mentális téren korlátozottak, illetve amennyiben nem rendelkeznek kellő hozzáértéssel vagy tapasztalattal, kivéve ha egy, a biztonságukért felelősséget vállaló személy a készülék használatát felügyeli, vagy arra vonatkozóan utasításokkal látta el őket.
- A gyermekekre figyelni kell, nehogy a készülékkel játszanak.
- A készüléket csak a rendeltetésének megfelelő háztartási célra használja! A Kenwood nem vállal felelősséget, ha a készüléket nem rendeltetészerűen használták, illetve ha ezeket az utasításokat nem tartják be.

fontos

- Soha ne használja víz nélkül – kiéghet a szivattyú.
- A készüléket 0°C felett kell tárolni, különben a benne lévő víz megfagy, és tönkretetheti a készüléket.
- Soha ne használja a készüléket a csepegtető tálca és a csésze tartó nélkül.

mielőtt csatlakoztatja a készüléket

- Ellenőrizze, hogy az áramforrás megegyezik-e a készülék alján feltüntetett áramforrással.
- Ez a készülék megfelel a 2004/108/EK számú, az elektromágneses zavarvédelemről szóló EK Irányelvnek és a 2004.10.24-ei 1935/2004 számú, élelmiszerekkel érintkezésre szánt anyagokkal kapcsolatos EK jogszabálynak.

Ismerje meg a Kenwood kávéfőzőt

- ① levehető víztartály
- ② tartály fedél
- ③ gőz/forró víz fúvóka
- ④ gőzcső
- ⑤ gőzfúvóka
- ⑥ kávé kimenet
- ⑦ szabályozó gőzölő gomb
- ⑧ kis szűrő 1 csészéhez vagy kávéfilterhez
- ⑨ fül
- ⑩ nagy szűrő két csészéhez
- ⑪ kávé gomb
- ⑫ kávé kész jelzőlámpa
- ⑬ főkapcsoló
- ⑭ gőz kész jelzőlámpa
- ⑮ gőzgomb
- ⑯ csepegtető tálca
- ⑰ úszó
- ⑱ csészetartó
- ⑲ mérőkanál/kávélenyomó
- ⑳ szűrőtartó
- ㉑ szűrő üresítő kar
- ㉒ csészetartó tálca

az első kávé elkészítése előtt

- 1 Ellenőrizze, hogy a kiválasztó gomb zárt helyzetbe van-e állítva az óramutató járásával megegyező irányba történő elfordításával (vigyázzon, ne szorítsa rá túl erősen).
- 2 Emelje fel a fedelet, majd emelje ki a tartályból, és töltsen meg hideg vízzel. Soha ne töltsön vizet a "MAX" szintet jelölő vonal felé. Vagy pedig emelje fel a fedelet és úgy töltsen fel a tartályt.
- Vízsűrővel szűrt víz használata ajánlott, mivel így jobb kávé készíthető, és kevesebb vízkő keletkezik. Szénsavas víz használata tilos.
- 3 Illesse vissza a tartályt. Győződjön meg róla, hogy megfelelően lett-e felhelyezve, és amennyiben szükséges, fejtse ki egy kis nyomást, annak biztosítása érdekében, hogy a tartály alján lévő szelep illeszkedjen a készülék aljához.
- Fontos**
Soha ne üzemeltesse úgy a készüléket, hogy a tartályban nincs víz. Töltsen fel újra vízzel, amint a vízszint lecsökken.
- 4 Zárja le a fedelet.
- 5 Fordítsa ki oldalra a gőz/forró víz fúvókát, és tegyen alá egy edényt.
- 6 Helyezze a szűrő tartót a készülékre: illesse a folyékony kávé/vízforraló kivezetőnyílás alá és fordítsa el jobbra. ❶ Helyezzen alá egy edényt.
- 7 Csatlakoztassa a hálózatba, majd nyomja le a főkapcsolót, és ekkor ég a narancsszínű lámpa. Ugyanakkor a kávé kész zöld jelzőlámpa villog. Várjon, amíg a zöld lámpa abbahagyja a villogást.
- 8 Nyissa ki a kiválasztó gombot az óramutató járásával ellentétes irányban, és nyomja le a kávé gombot, s hagyja, hogy egy csésze víz kifolyjon a gőzfúvókából. Zárja le a kiválasztó gombot, és hagyja, hogy egy csésze víz kifolyjon a kávé kimenetből az edénybe.
- 9 Nyomja le a kávé gombot, hogy megállítsa a kifolyást, majd nyomja le a főkapcsolót, hogy kikapcsolja a készüléket..
- 10 Ismétlje meg ezeket a lépéseket, amennyiben ezt megelőzően pár napig nem használta a kávéfőzőt.

A kávéfőző előmelegítése

Megfelelő hőmérsékletű eszpresszó kávé készítéséhez melegítse fel előre a kávéfőzőt.

- 1 Ellenőrizze le, hogy a kiválasztó gomb zárva van-e (fordítsa el az óramutató járásával megegyező irányba), és hogy van-e elég víz a tartályban egy vagy két csésze számára.
- 2 Helyezze a kívánt szűrőt a szűrő tartóba (kávé nélkül és ügyelve rá, hogy a szűrőn lévő fül a szűrőtartón lévő nyílásba illeszkedjen). Helyezze a készülékre: tegye a kávé kivezetőnyílás alá, és fordítsa el jobbra ❶. Ellenőrizze, hogy megfelelően lett-e felhelyezve.
- 3 Helyezze a csészét a szűrő tartó alá. Ha ugyanazt a csészét használja, amiben a kávé majd felszolgálja, akkor ez biztosítja, hogy a csésze meleg lesz.
- 4 Nyomja le a főkapcsolót, és kigyullad a narancs színű lámpa. Ugyanakkor a kávé kész zöld jelzőlámpa villog. Várjon, amíg a zöld lámpa abbahagyja a villogást.
- 5 Nyomja le a kávé gombot, és ekkor ég a narancs színű jelzőlámpa, s a forró víz adagolóból kifolyik a víz a csészébe. Amikor a kávé kész zöld jelzőlámpa újra villogni kezd, nyomja le a kávé gombot, hogy leállítsa a kifolyást.
- 6 Távolítsa el a szűrő tartót, és lánson hozzá a kávé elkészítéséhez örölt kávéból vagy kávé filterből.

eszpresszó kávé készítése örölt kávéból

- 1 Melegítse elő a készüléket a 54. oldalon leírtak szerint.
- 2 Ellenőrizze le, hogy van-e víz a tartályban.
- 3 Válassza ki a megfelelő szűrőt.
- Használja a kisebb szűrőt egy csésze kávé készítéséhez (vagy kávé filter használata során), és a nagyobb szűrőt 2 csésze készítéséhez.
- 4 Tegyen a szűrőbe csészénként egy csapott kanál kávé a mérőkanál segítségével, egyengesse el a felszínét, majd finoman nyomkodja le a mérőkanál hátuljával. A peremre szóródott kávé távolítsa el.
- Örölt kávé vásárlása esetén győződjön meg róla, hogy a kávé megfelelő-e a készülékhez.
- Soha ne tömje meg a kávéfőzőt, mert akkor a kávé lassan fog kifolyni és sötét színű lesz. Ha azonban túl lazán teszi bele a kávé, akkor a kávé túl gyorsan fog kifolyni és világos színű lesz.
- 5 Helyezze be a szűrő tartót. Ügyeljen rá, hogy a szűrőn lévő fül a szűrő tartón lévő nyílásba illeszkedjen.

- 6 Tegye a szűrő tartót a kávé kimenetre. Fordítsa el jobbra, hogy a helyére kerüljön ❶.
- Tegyen alá egy vagy két csészét ❷. Egy csésze kávé készítésekor helyezze a csészét középre.
- 7 Nyomja le a főkapcsolót és várjon, amíg a kávé kész zöld jelzőlámpa abbahagyja a villogást, majd nyomja le a kávé gombot.
- 8 Amikor elég kávé folyt ki - ne legyen túl sok, különben gyenge lesz, nyomja le a kávé gombot. Ha nem akar több kávé készíteni, nyomja le a főkapcsolót, hogy kikapcsolja a készüléket. Az alábbi táblázat útmutatót ad ahhoz, milyen hosszú ideig működtesse a kávé gombot különféle mennyiségű italok készítéséhez.

Mennyiség	A szűrő mérete	Készítési idő, kb.
1 eszpresszó (40 ml)	1 csésze	12 mp
2 eszpresszó (egyenként 40 ml)	2 csésze	25 mp
1 hosszú kávé (125 ml)	1 csésze	32 mp
2 hosszú kávé (egyenként 125 ml)	2 csésze	65 mp

- 9 Várjon 30 mp-ig, s fordítsa el balra a szűrő tartót és távolítsa el.
- Amikor eltávolítja, egy kis víz marad a szűrőn: ez normális
- 10 A használt kávé szűrő tartóból történő eltávolításához, pattintsa fel a kart a fogantyúnál fogva, úgy hogy a kar vége a szűrőre kerüljön ❸ helyzetbe. Tartsa a kart ebben a helyzetben, majd fordítsa az egységet fejfelé és ütögesse ki a kávé ❹.

fontos

Soha ne távolítsa el a szűrő tartót, míg a kávé vagy gőz funkció van kiválasztva – a gőz kiáramolhat, és égethet.

kávé készítése filter használatával

Fontos

Ha örölt kávé használata után filteres szűrő tartót szeretne használni, távolítsa el a kávé kivezetőnyílása körül lerakódott örölt kávé. Ezzel elkerülhetővé válik a víz szivárgása a szűrő tartóból, és optimális teljesítmény érhető el. Vigyázzon, mert lehet, hogy a készülék forró.

- 1 Melegítse fel előre a készüléket a 54. oldalon leírtak szerint, a kis szűrőt behelyezve a szűrő tartóba.
- 2 A szűrőtartó előmelegítése és a kávé filternek a szűrőbe való behelyezése után ellenőrizze, hogy a filter a megfelelő irányba néz-e ❶.
- 3 Nyomja a filtert a szűrő alsó része felé. Ellenőrizze, hogy a papír szélei a szűrő belsejéhez tapadnak-e.
- 4 A filtert a szűrő közepére kell helyezni és le kell nyomni.
- 5 Helyezze a szűrő tartót a folyékony kávé kivezetőnyílásába, és fordítsa jobbra, míg pontosan a helyére nem illeszkedik ❶.
- 6 Kövesse az 'eszpresszó kávé készítése' című részben leírt lépéseket.
Megjegyzés - csak az ESE szabványnak megfelelő filtert használjon.
- Mindig kövesse a filter csomagolásán található utasítást a filter megfelelő elhelyezése érdekében a szűrőben.



tej habosítása cappuccinóhoz

Készítsen eszpresszó kávé a fent leírtak szerint.

tipp – egynél több cappuccino készítése esetén először főzze le az összes kávé, majd a végén készítsen habosított tejet az össze cappuccinóhoz.

- 1 Győződjön meg róla, hogy van-e víz a tartályban.
- 2 Ügyeljen rá, hogy a gőzgomb zárva legyen.
- 3 Nyomja le a főkapcsolót, és várjon, amíg kigyullad a narancs színű lámpa
- 4 Nyomja le a gőzgombot, és a piros gőz jelző lámpa villogni kezd.
- 5 Várjon, amíg a piros lámpa folyamatos fénnel ég, jelezve, hogy a készülék elérte a megfelelő hőmérsékletet
- 6 öntsön tejet egy edénybe - a tej térfogatának akár háromszorosa is nőhet, ezért ennek megfelelően válasszon edényt. Általában 40-60 ml tej szükséges egy csésze cappuccinóhoz.
- Hideg, félszíros tej a legalkalmasabb erre a célra.
- 7 Tartsa egyik kezében az edényt, és tegye a fűvókát a tejbe, ügyelve rá, hogy a tej ne lepje el a fűvókán lévő csatlakozást.
- 8 Nyissa ki a szabályozó gőzgombot az óramutató járásával ellentétes irányú elforgatással. A tej térfogata kezd nőni, és felhabosodik ❸. Állítsa be az edény magasságát úgy, hogy a fűvóka csúcsa a tej felszíne alatt maradjon. 20-25 mp elteltével a tej felgőzölt és habos lesz.

- 9 Állítsa le a gőzölést a szabályozó gőzgomb óramutató járásával egyező elforgatásával. Soha ne forralja a tejet, mert az elronthatja a kávé ízét.
- 10 Nyomja le a gőz gombot.
- 11 Öntse a felhabosított tejet az eszpresszó kávé tartalmazó csészékbe.
fontos - A gőz fűvókát egyszerre csak 2 percig szabad használni, és használat után mindig ki kell tisztítani a fűvókát.
- 12 Nyomja le a főkapcsolót.

eszpresszó készítése a tej habosítása után

Fontos

Soha ne távolítsa el a szűrő tartót a foglatából rögtön a gőz funkció használatát követően.

Amennyiben tej habosítása után eszpresszó kávé csinál, távolítsa el a túl forró vizet a készülékből, mert megégetheti a kávé. Ezt az alábbiak szerint kell elvégezni:

- 1 Kapcsolja ki a gőzgombot.
- 2 Ügyeljen rá, hogy legyen víz a tartályban, és tegye az edényt a gőzfűvóka alá.
- 3 Nyissa ki a szabályozó gőzgombot az óramutató járásával ellentétes irányban történő elforgatással, és nyomja le a kávé gombot (a víz/gőz a gőzfűvókán jön ki). Várjon, amíg a zöld lámpa villog, majd zárja le a szabályozó gőz gombot, és kapcsolja ki a kávé gombot.
- 4 Várjon egy kicsit, amíg a zöld lámpa folyamatosan ég. Ekkor a készülék készen áll a kávé elkészítésére.

tisztítás

gőzfűvóka

A gőzfűvóka tisztítása előtt hagyjon egy kevés főtt vizet kifolyni a fűvókából a tisztítás megkönnyítése céljából. Ez a gőz kiengedése után azonnal szükséges. Az alábbiak szerint:

- 1 Ügyeljen rá, hogy legyen víz a tartályban, és hogy az edény a gőzfűvóka alatt legyen.
- 2 Kapcsolja ki a gőz gombot.
- 3 Nyissa ki a gőz gombot az óramutató járásával ellentétes irányú elforgatással.
- 4 Nyomja le a kávé gombot, és működtesse kb. 10 mp-ig, hogy a forró víz áthaladjon a fűvókán.
- 5 Kapcsolja ki a kávé gombot, majd zárja el a szabályozó gőz gombot az óramutató járásával megegyező irányban.
- 6 Nyomja le a főkapcsolót, hogy kikapcsolja a készüléket.
- További tisztítás előtt áramtalanítsa és hagyjon mindent lehűlni.
- Soha ne merítse a készüléket vízbe.
- Ne mosogassa az alkatrészeket mosogatógéppben.

gőzfűvóka

- 1 Csavarozza ki a fűvókát az óramutató járásával megegyező irányban, majd alaposan mosogassa el. Ellenőrizze, hogy a 3 megjelölt furat nincs-e eltömődve ❷. Szükség esetén túvel tisztítsa ki.
- 2 Tisztítsa meg a gőz csövet. Ügyeljen rá, hogy a vége ne legyen eltömődve.
- 3 Csavarja vissza a fűvókát a szállító csőbe.

tartály, fedél, szűrő tartó

- Mossa el, öblítse el, majd hagyja megszáradni.

szűrő (egy és két csészéhez)

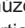
- Mossa el és szárítsa meg minden használat után.
- Körülbelül minden 100. használat után szedje szét és tisztítsa meg még alaposabban a készüléket az alábbiakban leírtak szerint.
- Tisztítsa meg a szűrő alján található védősapkát a jelzett irányba történő fordítással ❷. Távolítsa el a szűrőt felfelé irányuló nyomással ❸. Szedje szét a szűrő részeit: húzza oldalra a tömítőgyűrűt ❹ és távolítsa el a műanyag lemezt és a fémszűrőt ❺. Öblítse el alaposan az alkatrészeket. Tisztítsa meg a fémszűrőt forró vízben a kefe segítségével ❻. Győződjön meg róla, hogy a fémszűrőn lévő rések nem tömődtek-e el. Amennyiben szükséges, egy tű segítségével tisztítsa meg a szűrőt ❻. Szárítsa meg az alkatrészeket, majd rakja össze újra. Ellenőrizze, hogy az alkatrészek megfelelően lettek-e összerakva.

csésze tartó, cseppfogó tálca

- Rendszeresen üresítse ki a cseppfogó tálcat. Tudni fogja, mikor van tele, cseppfogó tálca közepén lévő piros úszó felemelkedik, és látszik a csésze tartó nyílásában.
- 1 Mosogassa el, majd szárítsa meg.

kávé kimenet

- Minden használat után ellenőrizze, hogy ez a terület tiszta és örölkávétól mentes legyen. Törölje tisztára, és szükség esetén végezze el az alábbi eljárást, hogy alaposan megtisztítsa. Ha nem tartja tisztán, az befolyásolja a lefőzött kávé minőségét, és károsíthatja a készüléket.

- 1 Egy csavarhúzó segítségével , csavarja ki azt a csavart, mely a kávé kimenetet tartja (ne vegye le a belső fedelet).
- 2 Tisztítsa meg a területet egy nedves ruhával.
- 3 Tisztítsa meg alaposan az eltávolított kimenetet meleg mosószeres vízben egy kefe segítségével. Öblítse le. Ellenőrizze, hogy a nyílások nincsenek-e eltömődve, és amennyiben szükséges, egy tű segítségével távolítsa el a szennyeződések.
- 4 Végezze el fordított sorrendben a fent leírt folyamatot a kimenet ismételt felhelyezése érdekében.
Amennyiben a kávé kimenet és a szűrők tisztítását nem az itt leírtak szerint végzi el, az a garancia elvesztésével jár.

vízke eltávolítása

Javasoljuk a kávéfőző vízkömentesítését 200 kávé elkészítése után.

- 1 Javasoljuk, hogy vásároljon egy speciális vízkőoldó szert eszpresszó kávéfőzők számára. A gyártó által ajánlott mennyiséget használja, de ne lépje túl az literes tartály kapacitását.
- 2 Ügyeljen arra, hogy a szűrőtartó ne legyen csatlakoztatva, és helyezzen egy tálat a kávé kimenet alá.
- 3 Nyomja le a főkapcsolót, majd nyomja le a kávé gombot, és nyissa ki a szabályozó gőzgombot az óramutató járásával ellentétes irányú elforgatással, és engedjen ki 1 csésze vizet a kávé kimeneten. Ne várja meg, hogy a zöld lámpa abbahagyja a villogást.
- 4 Kapcsolja ki és áramtalanítsa a kávéfőzőt, s hagyja a készüléket állni 15 percig.
- 5 Ismétlje meg a 3. lépést, és hagyja kifolyni az összes vízkömentesítő anyagot a készülékből. Kapcsolja ki.
- 6 Alaposan öblítse át a tartályt, és tölts fel friss vízzel.
- 7 Kövesse a 3. lépést, és hagyja, hogy a víz átöblítse a melegvíz fűvókát és a kávé kimenetet is. Ismétlje meg friss vízzel. Ez eltávolítja a vízkömentesítő szer maradványait.

Vízke lerakódása okozta működési zavarok helyreállítására nem vonatkozik a garancia, amennyiben a vízke eltávolítására nem kerül sor rendszeresen.

szerviz és vevőszolgálat

- Ha a hálózati vezeték sérült, azt biztonsági okokból ki kell cseréltetni a KENWOOD vagy egy, a KENWOOD által jóváhagyott szerviz szakemberével.

Ha segítségre van szüksége:

- a készülék használatával vagy
- a karbantartással és a javítással kapcsolatban, lépjen kapcsolatba azzal az elárusítóhellyel, ahol a készüléket vásárolta.

- Tervezte és kifejlesztette a Kenwood az Egyesült Királyságban.
- Készült Kínában.



A TERMÉK MEGFELELŐ MÓDON TÖRTÉNŐ HULLADÉKKEZELÉSÉRE VONATKOZÓ FONTOS TUDNIVALÓK A 2002/96/EC IRÁNYELV ÉRTELMÉBEN


A hasznos élettartamának végére érkezett készüléket nem szabad a lakossági hulladékkal együtt kezelni.

A leselejtezett termék az önkormányzatok által kijelölt szelektív hulladékgyűjtőkben (hulladékgyűjtő udvar) vagy az elhasználódott készülékek visszavételét végző kereskedőknél adható le.

Az elektromos háztartási készülékek szelektív gyűjtése és kezelése lehetővé teszi a nem megfelelően végzett hulladékkezelésből adódó, a környezetet és az egészséget veszélyeztető negatív hatások megelőzését és a készülék alkotórészeinek újrahasznosítását, melynek révén jelentős energia-és erőforrás-megtakarítás érhető el.

Az elektromos háztartási készülékek szelektív gyűjtésére és kezelésére vonatkozó kötelezettséget a terméken feltüntetett áthúzott szemégyűjtő edény (kerekes kuka) jelzés mutatja.

hibaelhárítási útmutató

probléma	lehetséges ok	megoldás
Az eszpresszó kávé nem jön ki a készülékből	<ul style="list-style-type: none"> • A kávé nedves és/vagy túl lazán lett a szűrőbe adagolva • A szűrő tartó kifolyóin lévő nyílások el vannak tömődve. • A szűrőn lévő nyílások el vannak tömődve. • A tartály nincs megfelelően a helyére rakva és az alján lévő szelep nincs nyitva • A krémkávé kimenet el van tömődve. 	<ul style="list-style-type: none"> • Ellenőrizze le, hogy eszpresszó kávéfőzőkhöz megfelelő őrölt kávé használ-e és ha szükséges, használjon másfajta őrölt kávé. • Tisztítsa meg a kifolyók nyílásait. • Tisztítsa meg a tisztítás részben leírtak szerint. • Nyomja le finoman a tartályt, hogy az alján kinyíljon a szelep. • Szedje szét a krémkávé készítő  készüléket és tisztítsa meg alaposan a részeit. Lásd a (szűrő) Tisztítása című részt.
Az eszpresszó kávé a szűrő tartó szélein folyik ki és nem a nyílásokból.	<ul style="list-style-type: none"> • A szűrő tartó nem megfelelően lett a készülékre helyezve. • Az eszpresszó vízfóraló tömitése elvesztette a rugalmasságát. • A szűrő tartó kifolyóin lévő nyílások el vannak tömődve. • Túl sok kávé van a kávé szűrőben . 	<ul style="list-style-type: none"> • Helyezze fel újra a szűrő tartót. Győződjön meg róla, hogy megfelelően van-e felhelyezve, majd fordítsa jobbra. • Cseréltesse ki a tömitést. Lásd Karbantartás és vevőszolgálat című részt. • Távolítsa el a nyílásokból az eltömődést okozó szennyeződések. • Csökkentse a kávé mennyiségét.
Az eszpresszó kávé hideg	<ul style="list-style-type: none"> • A készülék előmelegítésére nem került sor. • A kávé kész zöld jelzőlámpa nem égett, amikor a kávé gombot lenyomta. 	<ul style="list-style-type: none"> • A kávéfőző előmelegítéséhez kövesse az előírásokat. • Várjon, amíg a kávé kész zöld jelzőlámpa abbahagyja a villogást, mielőtt a kávé gombot lenyomja.
A szivattyú túl hangos	<ul style="list-style-type: none"> • A víztartály üres. • A tartály nincs megfelelően a helyére rakva és az alul lévő szelep nincs nyitva. 	<ul style="list-style-type: none"> • Töltse meg a tartályt vízzel • Nyomja le finoman a tartályt, hogy az alján lévő szelep kinyíljon.
A kávé világos színű, és túl gyorsan folyik ki.	<ul style="list-style-type: none"> • A kávéfőző nincs eléggé megtömve. • Nem használt elég őrölt kávé. • A kávéfőzőt túlzottan megtömte. • Nem megfelelő kávé használt. 	<ul style="list-style-type: none"> • Tömje meg jobban a kávéfőzőt. • Növelje a kávé mennyiségét a szűrőben. • Ne tömje meg annyira a kávéfőzőt. • Változtasson a kávé típusán.
A kávé sötét színű, és túl lassan folyik ki.	<ul style="list-style-type: none"> • A kávéfőző túlságosan meg van tömve • A kávé kimenet eltömődött. • Túl sok kávé használatára került sor. • A kávé túl finomra van őrölve. • A használt kávé nem megfelelő. 	<ul style="list-style-type: none"> • Kevésbé nyomja meg a kávé. • Tisztítsa meg a leírtak szerint • Csökkentse a mennyiséget. • Változtasson a kávé típusán, és vegyen az eszpresszó gépéhez megfelelő. • Változtasson a kávé típusán, és vegyen az eszpresszó gépéhez megfelelő.
A kávének savas íze van.	<ul style="list-style-type: none"> • A vízkő eltávolítása után a készülék nem lett alaposan kiöblítve. 	<ul style="list-style-type: none"> • Többször öblítse át a készüléket és az alkatrészeket tiszta vízzel, lásd a Tisztítás című részt.
A tej nem habosodik fel cappuccino készítése során	<ul style="list-style-type: none"> • A tej nem elég hideg. • A cappuccino főző elszennyeződött. 	<ul style="list-style-type: none"> • Mindig hűtőből kivett tejet használjon. • Próbáljon másféle zsírtartalmú tejet. • Tisztítsa meg a gőz nyomócsövet, illetve a fúvókát. Lásd a Tisztítás című részt.

Prosimy rozłożyć ilustracje na pierwszej stronie

przed pierwszym użyciem

- 1 Przeczytaj uważnie poniższe instrukcje i zachowaj je na wypadek potrzeby skorzystania z nich przyszłości.
- 2 Wyjmij wszystkie materiały pakunkowe oraz wszelkie etykiety.
- 3 Umyć części (zob. ustęp pt. „czyszczenie”).
- 4 Dokładnie wypłukać urządzenie czystą wodą (zob. ustęp pt. „przed parzeniem kawy po raz pierwszy”).

bezpieczeństwo obsługi

- Nigdy nie należy wyjmować obsady filtra w trakcie parzenia kawy lub wytwarzania pary ze względu na ryzyko poparzenia się gwałtownie wydobywającą się parą.
- Zachować ostrożność, by nie oparzyć się:
 - dotykając gorących elementów (w tym dyszy wylotowej pary, obsady filtra i otworu wylotowego kawy)
 - parą wydostającą się z dyszy lub kawą wydostającą się z otworu wylotowego.
- Nie pozwalać, by w pobliżu urządzenia przebywały dzieci, ani nie dopuszczać, by przewód sieciowy luźno zwisał w miejscach dla nich dostępnych, ponieważ mogą pociągnąć za przewód i rzucić urządzenie.
- Nie używać uszkodzonego urządzenia. W razie awarii oddać do sprawdzenia lub naprawy (zob. ustęp pt. „serwis i punkty obsługi klienta”).
- Nie zanurzać urządzenia w wodzie ani nie dopuszczać do zamoczenia przewodu sieciowego lub wtyczki z uwagi na ryzyko porażenia prądem.
- Wyjąć wtyczkę z gniazda sieciowego przed:
 - napełnianiem zbiornika wodą
 - przystępowaniem do czyszczenia
 - po użyciu.
- Włączonego urządzenia nie należy pozostawiać bez dozoru.
- Nie dopuszczać, by przewód sieciowy stykał się z gorącymi elementami.
- Niniejsze urządzenie nie powinno być używane przez osoby (w tym dzieci) o ograniczonych zdolnościach fizycznych, umysłowych lub o zaburzonych zmysłach, jak również przez osoby niedoświadczone i nie znające się na urządzeniu, dopóki nie zostaną one przeszkolone na temat zasad eksploatacji tego urządzenia lub nie będą nadzorowane przez osobę odpowiadającą za ich bezpieczeństwo.
- Należy sprawować kontrolę nad dziećmi, żeby nie bawiły się urządzeniem.
- Urządzenie jest przeznaczone wyłącznie do użytku domowego. Firma Kenwood nie ponosi żadnej odpowiedzialności w przypadku niewłaściwego korzystania z urządzenia lub nieprzestrzegania niniejszych instrukcji.

uwaga

- Nigdy nie używać urządzenia, jeśli w zbiorniku zabraknie wody - może to doprowadzić do przegrzania i spalenia pompy.
- Urządzenie należy przechowywać w temperaturze powyżej 0°C, by nie dopuścić do zamarznięcia wody znajdującej się w urządzeniu i jego uszkodzenia.
- Nie używać urządzenia bez tacy ociekowej i podstawki na filiżankę.

przed podłączeniem do sieci

- Sprawdzić, czy napięcie sieciowe odpowiada danym znamionowym podanym na spodzie obudowy urządzenia.
- Niniejsze urządzenie jest zgodne z dyrektywą 2004/108/WE dotyczącą kompatybilności elektromagnetycznej oraz z rozporządzeniem WE nr 1935/2004 z dnia 24 października 2004 r. dotyczącym materiałów przeznaczonych do kontaktu z żywnością.

ekspres do kawy firmy Kenwood – podstawowe informacje

- ① wyjmowany zbiornik na wodę
- ② pokrywa
- ③ uchwyt dyszy wylotowej pary
- ④ rurka doprowadzająca parę
- ⑤ dysza wylotowa pary
- ⑥ otwór wylotowy kawy
- ⑦ regulator strumienia pary
- ⑧ mały filtr do zaparzania kawy w saszetce lub mielonej na jedną filiżankę
- ⑨ wypustka
- ⑩ duży filtr do zaparzania kawy wyłącznie na dwie filiżanki
- ⑪ przycisk parzenia
- ⑫ kontrolka gotowości do parzenia
- ⑬ włącznik
- ⑭ kontrolka gotowości pary
- ⑮ przycisk pary
- ⑯ taca ociekowa
- ⑰ pływak
- ⑱ podstawka na filiżankę
- ⑲ łyżeczka do odmierzania kawy/końcówka do ubijania kawy
- ⑳ obsada filtra
- ㉑ dźwignienka przytrzymująca do opróżniania filtra
- ㉒ taca na filiżanki

przed parzeniem kawy po raz pierwszy

- 1 Sprawdzić, czy regulator strumienia pary jest zamknięty (przesunąć w kierunku zgodnym z ruchem wskazówek zegara uważając, by nie przekręcić zbyt mocno).
- 2 Unieść pokrywę, a następnie wyjąć zbiornik i napełnić go zimną wodą. Nigdy nie napełniać zbiornika powyżej poziomu oznaczonego „MAX”. Ewentualnie można unieść pokrywę i napełnić zbiornik bez wyjmowania go z ekspresu.
- Zaleca się używanie wody filtrowanej, co poprawia smak kawy i ogranicza osadzanie się kamienia. Nie stosować wody gazowanej ani innego rodzaju płynów.
- 3 Włożyć zbiornik z powrotem na miejsce. Sprawdzić, czy zbiornik został poprawnie umieszczony, a w razie potrzeby lekko docisnąć, by zawór w dnie zbiornika połączył się z dnem ekspresu.

Ważne

Nigdy nie używać urządzenia, jeśli w zbiorniku zabraknie wody. Gdy poziom wody w zbiorniku znacznie spadnie, natychmiast dolać więcej.

- 4 Zamknąć pokrywę.
- 5 Trzymając za uchwyt, odchylić dyszę wylotową pary i umieścić pod nią dzbanek.
- 6 Zamocować obsadę filtra w ekspresie, umieszczając ją pod otworem wylotowym kawy i przekręcając w prawo ①. Pod spodem umieścić odpowiedniej wielkości naczynie.
- 7 Podłączyć urządzenie do prądu, a następnie wcisnąć włącznik, który zaświeci się na pomarańczowo. Zielona kontrolka gotowości do parzenia zacznie jednocześnie migać. Zaczekać, aż kontrolka przestanie migać.
- 8 Otworzyć regulator ciśnienia pary przekręcając w kierunku przeciwnym do ruchu wskazówek zegara i wcisnąć przycisk parzenia. Poczekać, aż z dyszy wycieknie woda o objętości jednej filiżanki. Zamknąć regulator strumienia pary i poczekać, aż naczynie pod otworem wylotowym kawy napełni się wodą o objętości jednej filiżanki.
- 9 Wcisnąć przycisk parzenia kawy, aby zatrzymać przepływ wody, a następnie nacisnąć włącznik, aby wyłączyć ekspres.
- 10 Powyższe czynności powtórzyć w przypadku, gdy urządzenie nie było używane przez kilka dni.

wstępne podgrzewanie ekspresu do kawy

Aby kawa espresso miała odpowiednią temperaturę, konieczne jest wstępne podgrzanie ekspresu.

- 1 Sprawdzić, czy regulator strumienia pary znajduje się w pozycji zamkniętej (przekręcić w kierunku zgodnym z ruchem wskazówek zegara) oraz czy w zbiorniku znajduje się ilość wody wystarczająca do przygotowania jednej lub dwóch (w zależności od potrzeby) filiżanek kawy.
- 2 Wybrany filtr umieścić w obsadzie (nie nasypując jeszcze kawy i wpasowując wypustkę we wgłębienie w obsadzie). Obsadę filtra zamocować w ekspresie, umieszczając ją pod otworem wylotowym kawy i przekręcając w prawo ①. Sprawdzić, czy została stabilnie zamocowana.
- 3 Pod obsadą umieścić filiżankę. Jeżeli podczas wstępnego podgrzewania ekspresu użyjemy filiżanki, w której podana ma zostać kawa, jednocześnie ją ogrzejemy.
- 4 Wcisnąć włącznik – przycisk zaświeci się na pomarańczowo. Jednocześnie zielona kontrolka gotowości do parzenia zacznie migać. Zaczekać, aż kontrolka przestanie migać.
- 5 Wcisnąć przycisk parzenia kawy – przycisk zaświeci się na pomarańczowo, a do filiżanki zacznie napływać gorąca woda. Gdy zielona kontrolka gotowości do parzenia znów zacznie migać, nacisnąć przycisk parzenia kawy, aby zatrzymać przepływ wody.
- 6 Wyjąć obsadę z filtrem i przystąpić do parzenia kawy używając kawy mielonej bądź w saszetkach.

parzenie kawy espresso z kawy mielonej

- 1 Podgrzać ekspres w sposób opisany na str. 58.
- 2 Sprawdzić, czy w zbiorniku znajduje się woda.
- 3 Wybrać odpowiedni filtr.
- Do zaparzania jednej filiżanki (lub kawy w saszetkach) użyć mniejszego filtra, większego natomiast do zaparzania dwóch filiżanek kawy.
- 4 Za pomocą załączonej w zestawie łyżeczki do odmierzania do filtra nasypać kawy (jedną płaską łyżeczkę na każdą filiżankę), wyrównać powierzchnię, a następnie lekko docisnąć ubijakiem znajdującym się na drugim końcu łyżeczki. Pozostałe na brzegu filtra resztki kawy wytrzeć.
- Przy zakupie kawy mielonej należy sprawdzić, czy nadaje się ona do zaparzania w ekspresie ciśnieniowym.

- Nie ubijać kawy zbyt mocno, ponieważ spowoduje to zatkanie filtra, kawa będzie wypływać bardzo powoli, a pianka (crema) będzie miała ciemne zabarwienie. Niewystarczające ubicie spowoduje z kolei zbyt szybkie wypływanie kawy – pianka będzie miała jasne zabarwienie, a kawa będzie wodnista.
- 5 Zamocować obsadę. Sprawdzić, czy wypustka filtra jest wpasowana w otwór w obsadzie.
 - 6 Obsadę z filtrem zamocować na otworze wylotowym kawy. Przekręcić w prawo, aby zablokować we właściwym położeniu ❶.
 - Pod obsadą umieścić jedną lub dwie filiżanki ❷. W przypadku parzenia jednej filiżanki, umieścić ją na środku.
 - 7 Wcisnąć włącznik i poczekać, aż zielona kontrolka gotowości do parzenia przestanie migać, a następnie wcisnąć przycisk parzenia kawy.
 - 8 Po nalaniu dostatecznej ilości kawy (nie za dużo, bo będzie zbyt słaba) nacisnąć przycisk parzenia. Po zaparzeniu ostatniej filiżanki nacisnąć włącznik, aby wyłączyć ekspres. W poniższej tabeli podano zalecany czas włączenia przycisku parzenia kawy do przygotowywania napojów różnej objętości.

ilość	wielkość filtra	przybliżony czas nalewania
1 Espresso (40 ml)	1 filiżanka	12 s
2 x Espresso (40 ml każda)	2 filiżanki	25 s
1 duża kawa (125 ml)	1 filiżanka	32 s
2 duże kawy (125 ml każda)	2 filiżanki	65 s

- 9 Odczekać 30 sekund, a następnie wyjąć obsadę z filtrem, przekręcając ją w lewo.
- Po wyjęciu obsady w filtrze można znajdować się woda – jest to normalne.
- 10 Aby opróżnić filtr z fusów, przesunąć dźwignkę na uchwycie w taki sposób, by jej końcówka zachodziła na brzeg filtra ❸. Przytrzymując dźwignkę w tej pozycji, obrócić obsadę do góry dnem i wytrząsnąć fusy, pukając obsadą o twardą powierzchnię ❹.

Ważne

Nigdy nie należy wyjmować obsady z filtrem, gdy włączona jest funkcja parzenia kawy lub wytwarzania pary ze względu na ryzyko poparzenia się gwałtownie wydobywającą się parą.

parzenie kawy espresso z kawy w saszetkach

Ważne

Jeżeli przed parzeniem kawy w saszetkach filtr na jedną filiżankę został użyty do zaparzenia kawy mielonej, konieczne jest usunięcie pozostałości kawy z powierzchni wokół otworu wylotowego kawy. Jest to konieczne, aby zapobiec wyciekaniu wody z obsady filtra i zapewnić optymalne wyniki. Zachować ostrożność, ponieważ powierzchnia wokół wylotu może być gorąca.

- 1 Podgrzać ekspres w sposób opisany na str. 58, w obsadzie mocując mniejszy filtr.
- 2 Po podgrzaniu ekspresu wyjąć obsadę z filtrem i umieścić w filtrze saszetkę tak, by była skierowana w odpowiednią stronę ❶.
- 3 Docisnąć saszetkę w stronę dolnej części filtra i sprawdzić, czy płatki papieru przylegają do jego wewnętrznej części.
- 4 Saszetka musi być dobrze wyśrodkowana i mocno osadzona w filtrze.
- 5 Obsadę z filtrem zamocować na otworze wylotowym kawy i przekręcić w prawo, aby zablokować we właściwym położeniu ❶.
- 6 Wykonać czynności opisane w części „parzenie kawy espresso”.
Uwaga: należy stosować saszetki z kawą spełniające normy systemu ESE (Easy Serving Espresso).
- Przestrzegać znajdujących się na opakowaniu saszetek instrukcji dotyczących prawidłowego sposobu umieszczania saszetki w filtrze.



spienianie mleka na kawę cappuccino

Przygotować kawę espresso w sposób podany powyżej.

wskazówka – aby przygotować więcej niż jedno cappuccino, należy najpierw zaparzyć żądaną liczbę filiżanek espresso, a następnie spienić mleko na cappuccino.

- 1 Sprawdzić, czy w zbiorniku znajduje się woda.
- 2 Sprawdzić, czy regulator strumienia pary znajduje się w pozycji „wyłączony”.
- 3 Wcisnąć włącznik – przycisk zaświeci się na pomarańczowo.
- 4 Wcisnąć przycisk pary – czerwona kontrolka pary zacznie migać.
- 5 Zaczekać, aż czerwona kontrolka zacznie świecić bez przerwy, sygnalizując, że ekspres osiągnął odpowiednią temperaturę.

- 6 Odpowiedniej wielkości dzbanek napełnić częściowo mlekiem – pamiętając, by nie nalewać za dużo, ponieważ mleko może zwiększyć swoją objętość nawet trzykrotnie. Na każdą kawę cappuccino należy użyć mniej więcej 40-60 ml mleka.
- Najlepsze wyniki uzyskuje się stosując zimne mleko półtłuste.
- 7 Trzymając dzbanek jedną ręką, zanurzyć dyszę wylotową pary w mleku uważając, by nie zanurzyć złącza dyszy.
- 8 Otworzyć regulator strumienia pary, przekręcając w kierunku przeciwnym do ruchu wskazówek zegara. Mleko zacznie się spieniać i zwiększać objętość ❶. Regulować głębokość zanurzenia dyszy uważając, by jej końcówka cały czas pozostawała zanurzona w mleku. Po 20-25 sekundach mleko będzie podgrzane i spienione.
- 9 Zatrzymać wytwarzanie pary, przekręcając regulator w kierunku zgodnym z ruchem wskazówek zegara.
- Nie dopuścić do zagotowania się mleka, ponieważ niekorzystnie wpłynie to na smak kawy.
- 10 Nacisnąć przycisk pary.
- 11 Wlać spienione mleko do filiżanek z zaparzoną wcześniej kawą espresso. Aby przygotować kawę latte, do filiżanek wlać wyłącznie podgrzane mleko (bez piany).
Uwaga – nigdy nie uruchamiać dyszy wylotowej pary na czas dłuższy niż dwie minuty, a po użyciu zawsze ją wyczyścić.
- 12 Nacisnąć włącznik, aby wyłączyć urządzenie.

parzenie kawy espresso po spienianiu mleka

Uwaga

Nigdy nie wyjmować obsady z filtrem bezpośrednio po użyciu funkcji wytwarzania pary.

Przygotowując kawę espresso po spienianiu mleka należy usunąć z ekspresu zbyt gorącą wodę, która mogłaby przypalić kawę. Należy to wykonać w następujący sposób:

- 1 Wyłączyć przycisk pary.
- 2 Sprawdzić, czy w zbiorniku znajduje się woda, a pod dyszą wylotową pary umieścić dzbanek.
- 3 Otworzyć regulator ciśnienia pary, przekręcając w kierunku przeciwnym do ruchu wskazówek zegara i wcisnąć przycisk parzenia (z dyszy zacznie wydobywać się woda/para). Zaczekać, aż zielona kontrolka zacznie migać, a następnie zamknąć regulator ciśnienia pary i wyłączyć przycisk parzenia kawy.
- 4 Ponownie poczekać - do momentu, gdy zielona kontrolka przestanie migać i zacznie świecić nieprzerwanie. Gdy to nastąpi, ekspres będzie gotowy do parzenia kawy.

czyszczenie

dysza wylotowa pary

Przed przystąpieniem do czyszczenia dyszy wylotowej pary należy pozwolić, by wypłynęło z niej trochę gorącej wody, co ułatwi czyszczenie. Należy to zrobić natychmiast po użyciu funkcji wytwarzania pary. Należy to wykonać w następujący sposób:

- 1 Sprawdzić, czy w zbiorniku znajduje się woda, a pod dyszą wylotową pary umieścić dzbanek.
- 2 Wyłączyć przycisk pary.
- 3 Otworzyć regulator ciśnienia pary przekręcając w kierunku przeciwnym do ruchu wskazówek zegara.
- 4 Wcisnąć przycisk parzenia kawy i pozostawić uruchomiony przez ok. 10 sekund, by przez dyszę zaczęła przepływać gorąca woda.
- 5 Wyłączyć przycisk parzenia kawy i zamknąć regulator pary, przekręcając w kierunku zgodnym z ruchem wskazówek zegara.
- 6 Nacisnąć włącznik, aby wyłączyć urządzenie.

- Przed przystąpieniem do dalszych czynności wyjąć wtyczkę z gniazda sieciowego i poczekać, aż wszystkie elementy ostygną.
- Nigdy nie zanurzać urządzenia w wodzie.
- Części nie nadają się do mycia w zmywarce do naczyń.

dysza wylotowa pary

- 1 Odkręcić dyszę, obracając ją w kierunku zgodnym z ruchem wskazówek zegara, a następnie dokładnie umyć. Sprawdzić, czy trzy otwory wskazane na rysunku są drożne ❶. W razie konieczności udroźnić je przy użyciu szpilki.
- 2 Wyczyścić rurkę doprowadzającą parę. Sprawdzić, czy końcówka jest drożna.
- 3 Nakręcić dyszę z powrotem na rurkę doprowadzającą.

zbiornik, pokrywa, obsada filtra

- Umyć, wypłukać i pozostawić do wyschnięcia.

filtry (wersja na jedną i na dwie filiżanki)

- Po każdym użyciu umyć i wysuszyć.
- Po około stu użyciach filtr należy rozmontować i dokładnie wyczyścić w sposób opisany poniżej.
- Zdjąć zakrywkę znajdującą się na spodzie filtra, obracając we wskazanym kierunku 7. Wyjąć siteczko do wytwarzania pianki wypychając je od spodu ku górze 8. Rozdzielić elementy składowe siteczka, odciągając uszczelkę na bok 9 i wyjmując plastikową tarczę i metalowy filtr 10. Dokładnie wypłukać poszczególne części. Za pomocą szczoteczki wymyć metalowy filtr w gorącej wodzie 11. Sprawdzić, czy otwory w filtrze są drożne. W razie potrzeby udroźnić je przy użyciu szpilki 12. Wysuszyć elementy składowe, a następnie ponownie je złożyć, pamiętając, by zrobić to we właściwy sposób.

podstawa na filiżankę, taca ociekowa

- Tacę ociekową należy regularnie opróżniać. Konieczność opróżnienia tacy wskazuje czerwony płwak znajdujący się na środku tacki, który po zapelnieniu tacy unosi się i jest widoczny w otworze w podstawie na filiżankę.

- 1 Umyć, a następnie wysuszyć.

otwór wylotowy kawy

- Po każdym użyciu sprawdzić, czy wokół otworu wylotowego nie znajdują się pozostałości mielonej kawy i czy powierzchnia ta jest czysta. Wytrzeć do czysta, a w razie konieczności wyczyścić dokładniej, wykonując poniższe czynności. Nieutrzymywanie otworu wylotowego w czystości ma ujemny wpływ na jakość parzonej kawy i może doprowadzić do uszkodzenia urządzenia.

- 1 Za pomocą śrubokrętu 14 odkręcić śrubę mocującą osłonę otworu wylotowego (nie zdejmować osłony wewnętrznej).
- 2 Wilgotną ściereczką wyczyścić powierzchnię wokół otworu.
- 3 Za pomocą szczoteczki dokładnie umyć zdjętą osłonę otworu wylotowego w gorącej wodzie z dodatkiem płynu do naczyń. Po umyciu dobrze wypłukać. Sprawdzić, czy otwory są drożne, a w razie konieczności udroźnić je za pomocą szpilki.
- 4 Aby ponownie założyć osłonę otworu wylotowego, powtórzyć powyższe kroki w odwrotnej kolejności. Nieutrzymywanie otworu wylotowego i filtrów w czystości zgodnie z powyższymi zaleceniami spowoduje unieważnienie gwarancji.

usuwanie kamiennego osadu

Po zaparzeniu 200 filiżanek kawy zaleca się oczyszczenie ekspresu z kamiennego osadu.

- 1 Zaleca się zakup środka przeznaczanego specjalnie do usuwania kamiennego osadu z ekspresów ciśnieniowych. Użyć ilości zalecanej przez producenta marki, ale nie przekraczać maksymalnej pojemności zbiornika (1 litr).
- 2 Sprawdzić, czy obsada filtra nie jest założona. Pod otworem wylotowym kawy umieścić miskę, a pod dyszą pary dzbanek.
- 3 Wcisnąć włącznik, a następnie przycisk parzenia kawy i otworzyć regulator strumienia pary, przekręcając go w kierunku przeciwnym do ruchu wskazówek zegara. Poczekać, aż z dyszy wycieknie woda o objętości jednej filiżanki. Zamknąć regulator strumienia pary i poczekać, aż naczynie pod otworem wylotowym kawy napełni się wodą o objętości jednej filiżanki. Nie trzeba czekać, aż zielona kontrolka przestanie migać.
- 4 Wyłączyć ekspres, wyjąc wtyczkę z gniazda sieciowego i pozostawić urządzenie na 15 minut.
- 5 Powtórzyć czynności opisane w punkcie 3 i pozwolić, by z urządzenia wypłynęła reszta roztworu. Wyłączyć ekspres.
- 6 Dokładnie wypłukać zbiornik i napełnić go świeżą wodą.
- 7 Powtórzyć czynności opisane w punkcie 3 pozwalając, by woda przepłukała dyszę i otwór wylotowy kawy. Ponownie napełnić zbiornik czystą wodą i powtórzyć czynności. Pozwoli to całkowicie opróżnić ekspres z reszty roztworu do usuwania kamienia.

Gwarancja nie obejmuje naprawy uszkodzeń spowodowanych nagromadzeniem się kamienia w urządzeniu, jeśli kamień nie jest usuwany regularnie.

obsługa i ochrona konsumenta

- Ze względu na bezpieczeństwo, jeśli uszkodzony został przewód, musi on zostać wymieniony przez specjalistę firmy KENWOOD lub przez upoważnionego przez tę firmę specjalistę.

Jeśli potrzebujesz pomocy w związku z:

- eksploatacją swojego urządzenia albo
- obsługą lub naprawą skontaktuj się ze sklepem, w którym nabyłeś urządzenie.
- Zaprojektowała i opracowała firma Kenwood w Wielkiej Brytanii.
- Wyprodukowano w Chinach.



UWAGI DOTYCZĄCE PRAWIDŁOWEGO USUWANIA PRODUKTU ZGODNIE Z DYREKTYWĄ EUROPEJSKĄ 2002/96/EC.

W momencie zakończenia okresu użyteczności produktu nie należy wyrzucać go do odpadów miejskich.

Można dostarczyć go do odpowiednich ośrodków segregujących odpady przygotowanych przez władze miejskie lub do jednostek zapewniających takie usługi. Osobne usuwanie sprzętu AGD pozwala uniknąć negatywnych skutków dla środowiska naturalnego i zdrowia wynikających z jego nieodpowiedniego usuwania i umożliwia odzyskiwanie materiałów, z których jest złożony, oraz osiągnięcia w ten sposób znaczącej oszczędności energii i zasobów.

Na obowiązek osobnego usuwania sprzętu AGD wskazuje umieszczony na produkcie symbol przekreślonego pojemnika na śmieci.

usuwanie problemów technicznych

problem	możliwa przyczyna	rozwiązanie
Z ekspresu nie wypływa kawa.	<ul style="list-style-type: none"> • Kawa jest wilgotna i/lub zbyt silnie ubita w filtrze. • Otwory w dziobkach obsady filtra są zatkane. • Otwór wylotu kawy jest niedrożny. • Zbiornik został nieprawidłowo założony i zawór w jego dnie nie jest otwarty. • Otwory w siteczku do wytwarzania pianki są zatkane. 	<ul style="list-style-type: none"> • Sprawdzić, czy użyta kawa nadaje się do ekspresów ciśnieniowych. Lżej ubić kawę w filtrze, a w razie potrzeby użyć kawy o innej miאלkości. • Oczyszczyć otwory w dziobkach. • Oczyszczyć otwór wylotowy zgodnie ze wskazówkami podanymi w części dotyczącej czyszczenia. • Lekko docisnąć zbiornik, by zawór w jego dnie się otworzył. • Rozmontować siteczko do wytwarzania pianki ❸ i dokładnie wyczyścić części - patrz ustęp pt. „czyszczenie (filtry)”.
Kawa ścieka z krawędzi obsady filtra, a nie przez otwory w dziobkach.	<ul style="list-style-type: none"> • Obsada filtra jest nieprawidłowo przymocowana do ekspresu. • Uszczelka podgrzewacza ekspresu utraciła elastyczność. • Otwory w dziobkach obsady filtra są zatkane. • Do filtra wsypano zbyt dużą ilość kawy. 	<ul style="list-style-type: none"> • Ponownie założyć obsadę filtra, sprawdzając poprawność montażu, i obrócić w prawo. • Wymienić uszczelkę – patrz ustęp pt. „serwis i punkty obsługi klienta”. • Oczyszczyć otwory w dziobkach. • Zmniejszyć ilość wsypywanej kawy.
Zaparzona kawa jest zimna.	<ul style="list-style-type: none"> • Ekspres nie został wstępnie podgrzany. • Gdy wciśnięto przycisk parzenia kawy, zielona kontrolka gotowości do parzenia nie paliła się. 	<ul style="list-style-type: none"> • Przestrzegać instrukcji dotyczących wstępnego podgrzewania ekspresu. • Przed wciśnięciem przycisku parzenia zaczekać, aż zielona kontrolka gotowości przestanie migać.
Pompa pracuje zbyt głośno.	<ul style="list-style-type: none"> • Zbiornik na wodę jest pusty. • Zbiornik został nieprawidłowo założony i zawór w jego dnie nie jest otwarty. 	<ul style="list-style-type: none"> • Napełnić zbiornik wodą. • Lekko docisnąć zbiornik, by zawór w jego dnie się otworzył.
Pianka ma jasne zabarwienie i jest wytwarzana zbyt szybko.	<ul style="list-style-type: none"> • Mielona kawa nie została wystarczająco mocno ubita. • Do filtra wsypano zbyt małą ilość mielonej kawy. • Nalano zbyt dużą ilość kawy. • Zastosowano nieodpowiedni rodzaj kawy. 	<ul style="list-style-type: none"> • Mocniej ubić kawę w filtrze. • Do filtra wsypać większą ilość kawy. • Zmniejszyć ilość kawy dozowanej do filiżanki/filiżanek. • Zmienić rodzaj stosowanej kawy.
Pianka ma ciemne zabarwienie i jest wytwarzana zbyt wolno.	<ul style="list-style-type: none"> • Mielona kawa została zbyt mocno ubita. • Otwór wylotu kawy jest niedrożny. • Do filtra wsypano zbyt dużą ilość kawy. • Kawa jest zbyt drobno zmielona. • Zastosowano nieodpowiedni rodzaj kawy. 	<ul style="list-style-type: none"> • Lżej ubić kawę w filtrze. • Oczyszczyć otwór wylotowy zgodnie ze wskazówkami podanymi w części dotyczącej czyszczenia. • Zmniejszyć ilość kawy. • Zmienić rodzaj stosowanej kawy na przeznaczony do ekspresów ciśnieniowych. • Zmienić rodzaj stosowanej kawy na przeznaczony do ekspresów ciśnieniowych.
Kawa ma kwaśny smak.	<ul style="list-style-type: none"> • Ekspres nie został dokładnie wypłukany po zastosowaniu środka do usuwania kamienia. 	<ul style="list-style-type: none"> • Kilkakrotnie przepłukać ekspres czystą wodą i wypłukać wszystkie elementy składowe (patrz ustęp pt. „czyszczenie”).
Mleko nie spienia się podczas parzenia kawy cappuccino	<ul style="list-style-type: none"> • Mleko nie zostało wystarczająco schłodzone. • Element do przygotowywania kawy cappuccino jest brudny. 	<ul style="list-style-type: none"> • Używać mleka z lodówki. • Użyć mleka o innej zawartości tłuszczu. • Wyczyścić dyszę i rurkę doprowadzającą parę (zob. ustęp pt. „czyszczenie”).

Пожалуйста, разверните первую страницу с иллюстрациями

перед первым использованием

- 1 Внимательно прочтите и сохраните эту инструкцию.
- 2 Распакуйте изделие и снимите все упаковочные ярлыки.
- 3 Вымойте все части: см. раздел «уход и чистка»
- 4 Пропустите через кофеварку чистую воду: см. раздел «Перед первым приготовлением кофе»

Меры безопасности

- Не снимайте держатель фильтра во время приготовления кофе или пара. Может произойти выброс пара и повлечь ожоги.
- Соблюдайте осторожность во избежание получения ожогов:
 - при прикосновении к горячим деталям, включая сопло для выпуска пара, держатель фильтра и выходное отверстие для кофе.
 - паром, выходящим из сопла или горячей водой, льющейся из выходного отверстия для кофе.
- Не разрешайте детям приближаться к включенной кофеварке. Не допускайте, чтобы электрический шнур свисал вниз там, где его могут схватить дети.
- Не пользуйтесь неисправным прибором. Проверьте и отремонтируйте его: см. раздел 'Ремонт и обслуживание'
- Во избежание поражения электрическим током не опускайте прибор в воду и не допускайте попадания влаги на шнур или вилок.
- Отключайте прибор от сети:
 - перед тем, как заливать воду
 - перед чисткой
 - после использования.
- Не оставляйте включенный прибор без присмотра.
- Не допускайте контакта сетевого шнура с горячими поверхностями.
- Людям (включая детей) с ограниченными физическими, сенсорными или психическими способностями, а также при недостатке опыта и знаний разрешается пользоваться данным бытовым прибором только под наблюдением лица, ответственного за их безопасность, и после инструктажа по использованию прибора.
- Дети должны быть под присмотром и не играть с прибором.
- Этот бытовой электроприбор разрешается использовать только по его прямому назначению. Компания Kenwood не несет ответственности, если прибор используется не по назначению или не в соответствии с данной инструкцией.

внимание

- Не включайте прибор без воды. Это может привести к перегоранию электродвигателя насоса.
- Храните приборе при температуре выше 0°C, в противном случае вода в кофеварке замерзнет, что приведет к поломке.
- Не включайте кофеварку без установленного лотка для сбора капель и подставки для чашек.

перед включением кофеварки

- Убедитесь, что параметры электрической сети совпадают с данными, указанными в табличке на нижней поверхности машины.
- Данное устройство соответствует директиве ЕС 2004/108/ЕС по электромагнитной совместимости, а также норме ЕС 1935/2004 от 27/10/2004 по материалам, предназначенным для контакта с пищевыми продуктами.

Знакомство с кофеваркой эспрессо Kenwood

- ① съемный контейнер для воды
- ② крышка
- ③ ручка сопла для выпуска пара
- ④ трубка для выпуска пара
- ⑤ сопло для выпуска пара
- ⑥ выходное отверстие для кофе
- ⑦ регулируемая круглая ручка выпуска пара
- ⑧ небольшой фильтр для приготовления 1 чашки кофе или кофейного пакетика
- ⑨ выступ
- ⑩ большой фильтр для приготовления не более 2 чашек кофе
- ⑪ кнопка «кофе»
- ⑫ индикатор готовности кофе
- ⑬ кнопка on/off (включить/выключить)
- ⑭ индикатор готовности пара
- ⑮ кнопка «пар»
- ⑯ лоток для сбора капель
- ⑰ поплавков
- ⑱ подставка для чашек
- ⑲ мерная ложка/темпер (для утрамбовки кофе)
- ⑳ держатель фильтра
- ㉑ рычаг опорожнения фильтра
- ㉒ подставка для хранения чашек

Перед первым приготовлением кофе

- 1 Убедитесь в том, что круглая ручка выпуска пара находится в положении «закрыто», т.е. повернута до упора по часовой стрелке (не закручивайте слишком сильно).
- 2 Снимите крышку, затем достаньте контейнер и налейте в него холодную воду. Не превышайте отметку «MAX» (максимальный уровень). Вы можете также снять крышку и налить воду прямо в установленный на кофеварке контейнер.
 - Рекомендуется использовать фильтрованную воду, поскольку она улучшает вкус кофе и снижает риск образования накипи. Не используйте газированную воду или другую жидкость.
- 3 Установите контейнер на место. Убедитесь в том, что контейнер установлен правильно. После этого слегка надавите на него, чтобы клапан на дне контейнера попал в отверстие на корпусе прибора.
Внимание
Не включайте кофеварку без воды. Доливайте воду, как только ее уровень понизится.
- 4 Закройте крышку.
- 5 Удерживая ручку, выверните сопло для выпуска пара наружу и подставьте под него чашку/емкость.
- 6 Установите держатель фильтра на кофеварку. Для этого поместите его под выходным отверстием для кофе и поверните вправо ①. Подставьте под него емкость/контейнер соответствующего размера.
- 7 Подключите прибор к сети, а затем нажмите кнопку on/off (включить/выключить). Загорится оранжевый индикатор. В то же время будет мигать зеленый индикатор готовности кофе. Подождите, пока зеленый индикатор не перестанет мигать.
- 8 Откройте круглую ручку выпуска пара, поворачивая ее против часовой стрелки, и нажмите кнопку "кофе". Подождите, пока одна чашка воды не выльется из сопла для выпуска пара. Закрутите круглую ручку выпуска пара и подождите, пока одна чашка воды не выльется в чашку/емкость из выходного отверстия для кофе.
- 9 Нажмите кнопку «кофе», чтобы остановить промывку, а затем нажмите кнопку on/off (включить/выключить), чтобы выключить прибор.
- 10 Повторите вышеописанную процедуру, если на протяжении нескольких дней вы не пользовались кофеваркой.

Предварительный нагрев кофеварки

Для получения оптимальной температуры кофе эспрессо необходимо предварительно подогреть кофеварку.

- 1 Проверьте, находится ли круглая ручка для выпуска пара в положение «закрыто» (поверните ее по часовой стрелке до упора) и достаточно ли воды, чтобы подогреть 1-2 чашки.

- Установите требующийся фильтр внутрь держателя фильтра (не добавляйте кофе и проверьте, совпал ли уступ на фильтре с отверстием на держателе фильтра). Установите держатель фильтра на кофеварку. Для этого поместите его под выходным отверстием для кофе и поверните вправо ❶. Он должен быть хорошо зафиксирован.
- Поставьте чашку под держатель фильтра. Можно использовать одну и ту же чашку для подогрева кофеварки и приготовления кофе, таким образом, она точно прогреется.
- Нажмите кнопку on/off (включить/выключить), загорится оранжевый индикатор. В то же время будет мигать зеленый индикатор готовности кофе. Подождите, пока зеленый индикатор не перестанет мигать.
- Нажмите кнопку «кофе», загорится и будет мигать оранжевый индикатор, и в это время горячая вода начнет выливаться в чашку. Когда зеленый индикатор готовности кофе начнет снова мигать, нажмите кнопку «кофе», чтобы прекратить подачу воды.
- Снимите держатель фильтра и приступайте к приготовлению кофе. Вы можете использовать молотый кофе или кофейные пакетики.

Как приготовить эспрессо из молотого кофе

- Предварительно нагрейте кофеварку, как указано на странице 62.
- Проверьте, налита ли вода в контейнер.
- Выберите требующийся фильтр.
 - Используйте фильтр небольшого размера для приготовления одной чашки кофе (или если используются кофейные пакетики), а большой фильтр – для 2 чашек.
- С помощью мерной ложки насыпьте кофе (одна мерная ложка на одну чашку). Выровняйте поверхность, и легонько утрамбуйте кофе с помощью терпера. Снимите остатки кофе с краев фильтра.
 - При покупке молотого кофе убедитесь, что данный кофе подходит для использования в кофеварках эспрессо.
 - Не трамбуйте кофе слишком плотно. Это может заблокировать фильтр, кофе будет выливаться слишком медленно, а пенка будет иметь темный оттенок. Однако если молотый кофе будет утрамбован не плотно, вода будет выливаться слишком быстро, пенка будет иметь светлый оттенок, а сам кофе будет водянистым.
- Установите держатель фильтра. Уступ на фильтре должен попасть в отверстие на держателе фильтра.
- Установите держатель фильтра на выходное отверстие для кофе. Поверните его вправо для фиксации ❶.
 - Подставьте одну или две чашки ❷. При приготовлении одной чашки кофе, поставьте ее строго посередине.
- Нажмите кнопку on/off (включить/выключить) и дождитесь, пока зеленый индикатор готовности кофе не перестанет мигать, затем нажмите кнопку «кофе».
- Приготовив нужное количество кофе, но не слишком много, иначе он получится водянистым, нажмите кнопку "кофе". Если вы больше не будете варить кофе, нажмите кнопку on/off (включить/выключить), чтобы выключить кофеварку. В таблице, приведенной ниже, указано приблизительное время приготовления кофе в емкостях разных объемов.

кол-во	размер фильтра	приблизительное время приготовления
1 эспрессо (40 мл)	1 чашка	12 сек
2 эспрессо (40 мл каждая)	2 чашки	25 сек
1 большая чашка кофе (125 мл)	1 чашка	32 сек
2 большие чашки кофе (125 мл каждая)	2 чашки	65 сек

- Подождите 30 секунд, а затем снимите держатель фильтра, повернув его влево.
 - При снятии фильтра в нем может оказаться вода. Это - нормальное явление.
- Чтобы удалить остатки использованного кофе из держателя фильтра, перекиньте расположенный на ручке рычаг так, чтобы конец рычага оказался над фильтром ❸. Удерживая рычаг в таком положении, переверните держатель фильтра вверх ногами и легким постукиванием удалите остатки кофе ❹.

Внимание

Не снимайте держатель фильтра во время приготовления кофе или пара. Может произойти выброс пара и повлечь ожоги.

Как приготовить кофе, используя кофейные пакетики

Внимание

Если после приготовления эспрессо из молотого кофе используется фильтр на одну чашку, необходимо очистить выходное отверстие для кофе от остатков сваренного молотого кофе. Это необходимо для предотвращения протекания воды через держатель фильтра и обеспечения оптимальной работы кофеварки. Соблюдайте меры предосторожности, т.к. поверхность отверстия сильно нагревается.

- Произведите предварительный подогрев кофеварки, как это указано на странице 62. Затем установите в держатель фильтра фильтр небольшого размера.
- После окончания процедуры подогрева снимите держатель фильтра и положите кофейный пакетик на фильтр, удостоверившись, что пакетик находится в правильном положении ❶.
- Надавите на пакетик, перемещая его к дну фильтра так, чтобы бумажные крылышки пакетика прилипли к внутренней стороне фильтра.
- Пакетик должен находиться строго по центру и зафиксирован в таком положении.
- Установите держатель фильтра на выходное отверстие для кофе и поверните вправо до упора, чтобы зафиксировать в соответствующем положении ❶.
- Выполните пункты, указанные в разделе «как приготовить эспрессо». Внимание! Используйте только те кофейные пакетики, которые соответствуют требованиям стандарта ESE.
 - Чтобы правильно разместить пакетик внутри фильтра, строго выполняйте инструкции, указанные на упаковке с пакетиками.



Как вспенить молоко для приготовления капучино

Приготовьте эспрессо, выполняя инструкции указанные выше

совет – если вы хотите приготовить несколько чашек капучино, то сначала сварите все чашки кофе, а затем уже взбивайте пенку, а не наоборот.

- Проверьте, налита ли вода в контейнер.
- Проверьте, находится ли круглая ручка для выпуска пара в положении «закрыто».
- Нажмите кнопку on/off (включить/выключить), загорится оранжевый индикатор.
- Нажмите кнопку «пар». Загорится красный индикатор готовности пара и начнет мигать.
- Подождите, пока красный индикатор не перестанет мигать. Это означает, что достигнута необходимая температура.
- Налейте немного молока в емкость/чашку. При вспенивании объем молока увеличивается в три раза, поэтому выбирайте емкость соответствующего размера. Используйте 40-60 мл молока на одну чашку капучино.
 - Рекомендуется использовать холодное молоко пониженной жирности.
- Удерживая емкость/чашку одной рукой, опустите сопло в молоко так, чтобы уровень молока находился ниже соединительной муфты сопла.
- Откройте круглую ручку для выпуска пара, повернув ее против часовой стрелки. Объем молока начнет увеличиваться и появится пена ❷. Регулируйте положение емкости/чашки. Носик сопла должен находиться ниже уровня молока. Через 20-25 секунд появится стойкая пена и молоко будет готово.
- Прекратите выпуск пара, закрыв круглую ручку по часовой стрелке.
- Не доводите молоко до кипения. Это приведет к ухудшению вкуса кофе.
- Нажмите кнопку «пар».
- Разлейте взбитое молоко с пенкой в чашки с кофе. Для приготовления кофе латте снимите пенку и налейте в чашку только молоко.
 - Внимание!** Не открывайте сопло для выпуска пара более, чем на 2 минуты (беспрерывно) и всегда тщательно чистите сопло после использования.
- Нажмите кнопку on/off (включить/выключить), чтобы выключить кофеварку.

Как приготовить кофе эспрессо после вспенивания молока

Внимание

Не извлекайте держатель фильтра из корпуса сразу же после использования функции «пар».

Если после использования функции «пар» вы хотите приготовить чашку кофе, то необходимо слить оставшуюся внутри горячую воду, чтобы не сжечь кофе. Для этого:

- 1 Выключите кнопку «пар».
- 2 Проверьте, есть ли в контейнере вода и поставьте емкость/чашку под сопло для выпуска пара.
- 3 Откройте круглую ручку для выпуска пара, покрутив ее против часовой стрелки, а затем нажмите кнопку «кофе» (из сопла будет выходить пар и выливаться вода). После того, как перестанет мигать зеленый индикатор, закрутите круглую ручку для выпуска пара и выключите кнопку «кофе».
- 4 Подождите еще немного – зеленый индикатор должен гореть непрерывно. Когда индикатор горит непрерывно, это означает, что кофеварка снова готова к использованию.

ЧИСТКА

сопло для выпуска пара

До начала чистки промойте сопло горячей водой. Это облегчит дальнейший процесс очистки. Данную операцию необходимо проводить сразу же после использования функции «пар». Для этого:

- 1 Проверьте, есть ли в контейнере вода и поставьте емкость/чашку под сопло для выпуска пара.
- 2 Выключите кнопку «пар».
- 3 Откройте круглую ручку для выпуска пара, покрутив ее против часовой стрелки.
- 4 Нажмите кнопку "кофе" и в течение 10 секунд сливайте горячую воду через сопло.
- 5 Выключите кнопку «кофе», а затем закрутите круглую ручку для выпуска пара. Для этого покрутите ее по часовой стрелке.
- 6 Нажмите кнопку on/off (включить/выключить), чтобы выключить кофеварку.

- Перед проведением дальнейшей чистки отключите прибор от сети и дайте остыть.
- Не опускайте прибор в воду.
- Не загружайте детали кофеварки в посудомоечную машину.

сопло для выпуска пара

- 1 Открутите сопло, повернув его по часовой стрелке, а затем тщательно промойте. Проверьте, не забились ли 3 отверстия, расположенных на сопле 16. При необходимости почистите с помощью булавки/иголки.
- 2 Почистите трубку для выпуска пара. Проверьте, не забился ли конец трубки.
- 3 Прикрутите сопло на подающую трубку.

контейнер для воды, держатель фильтра

- Промойте, сполосните и высушите.

фильтр (на одну-две чашки)

- Промывайте и просушивайте после каждого использования.
- После приблизительно 100 применений, разберите и проведите тщательную чистку, как указано ниже.
- Снимите колпачок, расположенный на дне фильтра, покрутив его в указанном направлении 7. Извлеките устройство для взбивания пены, вытолкнув его вверх 8. Разберите устройство для взбивания пены. Для этого потяните вбок прокладку 9 и вытащите пластмассовое кольцо и металлический фильтр 10. Тщательно ополосните детали. Помойте металлический фильтр в горячей воде с помощью щетки 11. Проверьте, не забились ли отверстия, расположенные на металлическом фильтре. При необходимости почистите с помощью булавки/иголки 12. Высушите детали, а затем соберите устройство. Проверьте правильность расположения деталей.

подставка для чашек, лоток для сбора капель

- Регулярно выливайте воду из лотка для сбора капель. Когда лоток для сбора капель заполняется водой, расположенный в центре лотка красный поплавок поднимается и становится видимым в отверстии подставки для чашки.
- 1 Промойте и затем просушите.

Выходное отверстие для кофе

- После каждого использования очищайте поверхность отверстия от остатков молотого кофе. Поверхность должна быть чистой. Протирайте и, при необходимости более тщательной очистки, выполняйте описанные ниже шаги. Невыполнение требований относительно чистоты поверхности отверстия приведет к ухудшению вкусовых характеристик кофе и поломке прибора.
- 1 Используя отвертку 14, открутите крепежный винт, удерживающий выходное отверстие (не снимайте внутреннюю крышку).
 - 2 Протрите поверхность влажной тканью.
 - 3 Промойте извлеченное устройство в горячей мыльной воде с помощью щетки. Тщательно сполосните. Проверьте, не забились ли отверстия. При необходимости почистите булавкой/иголкой.
 - 4 Чтобы установить устройство на место, выполните выше описанную процедуру в обратном порядке. Невыполнение вышеописанной процедуры очистки выходного отверстия для кофе и фильтров приводит к прекращению действия гарантии.

Удаление накипи

Рекомендуется проводить процедуру удаления накипи после приготовления 200 чашек кофе.

- 1 Рекомендуется использовать специальное средство для удаления накипи, предназначенное для кофеварок эспрессо. Следуйте указанным производителем дозировкам и не превышайте 1 л - максимальную вместимость контейнера для воды.
- 2 Снимите держатель фильтра и подставьте под выходное отверстие для кофе чашу, а под сопло для выпуска пара – чашку/емкость.
- 3 Нажмите кнопку on/off (включить/выключить) и затем нажмите кнопку "кофе". Откройте круглую ручку для выпуска пара, покрутив ее против часовой стрелки, и слейте 1 чашку воды через сопло для выпуска пара. Закрутите круглую ручку выпуска пара и подождите, пока одна чашка воды не выльется в чашу из выходного отверстия для кофе. Зеленый индикатор будет все время мигать.
- 4 Выключите кофеварку и отключите прибор от сети. Дайте прибору остыть в течение 15 минут.
- 5 Повторите шаг 3 и слейте средство для удаления накипи из кофеварки. Выключите прибор.
- 6 Тщательно ополосните контейнер и залейте чистой водой.
- 7 Выполните шаг 3 еще раз. Слейте горячую воду через сопло для выпуска пара и выходное отверстие для кофе. Еще раз залейте чистой водой и повторите промывку. Таким образом, вы удалите остатки средства.

В случае невыполнения регулярной процедуры удаления накипи, неполадки, вызванные образованием накипи, не будут устраняться по гарантии.

Обслуживание и забота о покупателях

- При повреждении шнура в целях безопасности он должен быть заменен в представительстве компании или в специализированной мастерской по ремонту агрегатов KENWOOD.

Если вам нужна помощь в:

- пользовании прибором или
 - техобслуживании или ремонте
- Обратитесь в магазин, в котором вы приобрели прибор.

- Спроектировано и разработано компанией Kenwood, Соединенное Королевство.
- Сделано в Китае.



**ВАЖНАЯ ИНФОРМАЦИЯ ПО ПРАВИЛЬНОЙ УТИЛИЗАЦИИ ИЗДЕЛИЯ
СОГЛАСНО ДИРЕКТИВЕ ЕС 2002/96/ЕС.**

По истечении срока службы изделие нельзя выбрасывать как бытовые (городские) отходы.

Изделие следует передать в специальный коммунальный пункт раздельного сбора отходов местное учреждение или в предприятие, оказывающее подобные услуги. Отдельная утилизация бытовых приборов позволяет предотвратить возможные негативные последствия для окружающей среды и здоровья, которыми чревата ненадлежащая утилизация, и позволяет восстановить материалы, входящие в составе изделий, обеспечивая значительную экономию энергии и ресурсов. В качестве напоминания о необходимости отдельной утилизации бытовых приборов на изделие нанесен знак в виде перечеркнутого мусорного бака на колесах.

Поиск и устранение неполадок

проблема	возможная причина	устранение
Кофе не выливается из кофеварки.	<ul style="list-style-type: none"> • Кофе влажный и/или слишком плотно утрамбован в фильтре. • Засорились отверстия каналов в гнезде держателя фильтра • Засорилось выходное отверстие для кофе. • Контейнер для воды установлен неправильно и клапан, расположенный на дне, закрыт. • Засорились отверстия в устройстве для взбивания пены. 	<ul style="list-style-type: none"> • Проверьте, подходит ли данный молотый кофе для кофеварок эспрессо. Утрамбуйте кофе не сильно плотно внутри фильтра или, при необходимости, возьмите другой сорт кофе. • Прочистите отверстия каналов в гнезде • Прочистите, как указано в раздела «Уход и чистка». • Легонько надавите на контейнер, чтобы открыть клапан • Разберите устройство для взбивания пены 8 и тщательно почистите детали. См. раздел «уход и чистка» (фильтр).
Кофе просачивается через края держателя фильтра, а не льется через выходное отверстие.	<ul style="list-style-type: none"> • Держатель фильтра неправильно установлен на кофеварку. • Прокладка кипятильника кофеварки эспрессо утратила эластичность. • Засорились отверстия каналов в гнезде держателя фильтра • В фильтр насыпано слишком много кофе. 	<ul style="list-style-type: none"> • Снимите и установите держатель фильтра. Проверьте правильность расположения и поверните вправо. • Замените прокладку. См. раздел «Техническое обслуживание». • Прочистите отверстия каналов в гнезде • Отсыпьте немного кофе.
Кофе холодный	<ul style="list-style-type: none"> • Не была проведена процедура предварительного подогрева кофеварки. • Кнопка «кофе» была нажата до того, как перестал мигать зеленый индикатор готовности кофе. 	<ul style="list-style-type: none"> • Выполните инструкции по предварительному подогреву кофеварки. • Дождитесь, пока перестанет мигать зеленый индикатор готовности кофе, и только после этого нажимайте кнопку «кофе».
Насос работает слишком шумно.	<ul style="list-style-type: none"> • В контейнере нет воды. • Контейнер для воды установлен неправильно и клапан, расположенный на дне, закрыт. 	<ul style="list-style-type: none"> • Залейте в контейнер воду. • Легонько надавите на контейнер, чтобы открыть клапан
Кофейная пенка светлого цвета и кофе выливается слишком быстро.	<ul style="list-style-type: none"> • Молотый кофе не был достаточно хорошо утрамбован внутри фильтра. • Выливается слишком много кофе. • В фильтр засыпано недостаточное количество кофе. • Используется неподходящий сорт кофе. 	<ul style="list-style-type: none"> • Утрамбуйте кофе плотнее. • Добавьте кофе в фильтр. • Уменьшите порцию кофе, которая наливается в чашку (ки). • Возьмите другой сорт кофе.
Кофейная пенка темного цвета и кофе выливается слишком медленно.	<ul style="list-style-type: none"> • Молотый кофе был слишком плотно утрамбован внутри фильтра. • Засорилось выходное отверстие для кофе. • Засыпано слишком много кофе. • Кофе очень мелкого помола. • Используется неподходящий сорт кофе. 	<ul style="list-style-type: none"> • Менее плотно утрамбуйте кофе. • Прочистите, как указано в раздела «Уход и чистка». • Отсыпьте немного кофе. • Возьмите другой сорт или приобретите кофе, который используется для кофеварок эспрессо. • Возьмите другой сорт или приобретите кофе, который используется для кофеварок эспрессо.
Кофе имеет кислый вкус.	<ul style="list-style-type: none"> • Кофеварка не была тщательно промыта после выполнения процедуры удаления накипи. 	<ul style="list-style-type: none"> • Промойте кофеварку несколько раз чистой водой и ополосните все детали, см. раздел «Уход и чистка».
При вспенивании молока не образуется пенка	<ul style="list-style-type: none"> • Молоко не достаточно холодное. • Засорилось сопло устройства для взбивания пены. 	<ul style="list-style-type: none"> • Всегда используйте молоко из холодильника. • Попробуйте использовать молоко с другим содержанием жира. • Прочистите трубку и сопло для выпуска пара. См. раздел «Уход и чистка»

Ελληνικά

Παρακαλώ να ξεδιπλώσετε την μπροστινή σελίδα όπου παρέχεται εικονογράφηση

πριν από την πρώτη χρήση

- 1 Διαβάστε προσεκτικά αυτές τις οδηγίες και φυλάξτε τις για μελλοντική αναφορά.
- 2 Αφαιρέστε τη συσκευασία και τις ετικέτες.
- 3 Πλύνετε τα μέρη της συσκευής: βλέπε ενότητα «καθαρισμός».
- 4 Καθαρίστε με τρεχούμενο νερό το εσωτερικό της συσκευής: βλέπε ενότητα «πριν παρασκευάσετε καφέ για πρώτη φορά».

ασφάλεια

- Ποτέ μην αφαιρείτε την υποδοχή του φίλτρου κατά τη διάρκεια της παρασκευής του καφέ ή ενώ παράγεται ατμός – μπορεί να εκτοξευθεί ατμός και να καείτε.
- Προσέξτε μην καείτε από:
 - ο τα καυτά μέρη της συσκευής, περιλαμβανομένου του επιστόμιου ατμού, της υποδοχής του φίλτρου και του στομίου εκροής καφέ.
 - ο τον ατμό που βγαίνει από το επιστόμιο ατμού ή τον καφέ που βγαίνει από το στόμιο εκροής καφέ.
- Κρατήστε τα παιδιά μακριά από τη συσκευή και ποτέ μην αφήνετε το καλώδιο να κρέμεται από σημείο όπου μπορεί να το αρπάξει κάποιο παιδί.
- Ποτέ μη χρησιμοποιείτε συσκευή που έχει υποστεί φθορά. Στείλτε τη για έλεγχο ή επισκευή: βλέπε ενότητα «σέρβις και εξυπηρέτηση πελατών».
- Ποτέ μη βυθίζετε τη συσκευή μέσα σε νερό και μην αφήνετε το καλώδιο ή το βύσμα να βραχούν – μπορεί να υποστείτε ηλεκτροπληξία.
- Αποσυνδέστε τη συσκευή από το ρεύμα:
 - ο πριν τη γεμίσετε με νερό
 - ο πριν από τον καθαρισμό
 - ο μετά από τη χρήση.
- Ποτέ μην αφήνετε τη συσκευή σε λειτουργία χωρίς να την επιβλέπετε.
- Μην αφήνετε το καλώδιο να αγγίζει τα καυτά μέρη της συσκευής.
- Η συσκευή αυτή δεν προορίζεται για χρήση από άτομα (συμπεριλαμβανομένων των παιδιών) με περιορισμένες φυσικές, αισθητήριες ή διανοητικές ικανότητες ή έλλειψη εμπειρίας και γνώσεων, παρά μόνον εάν βρίσκονται υπό την επίβλεψη ατόμου που είναι υπεύθυνο για την ασφάλειά τους ή ακολουθούν τις οδηγίες του σχετικά με τη λειτουργία της συσκευής.
- Τα παιδιά θα πρέπει να βρίσκονται υπό παρακολούθηση, έτσι ώστε να διασφαλίζεται ότι δεν παίζουν με τη συσκευή.
- χρησιμοποιείτε τη συσκευή μόνο για την οικιακή χρήση για την οποία προορίζεται. Η Kenwood δε φέρει οποιαδήποτε ευθύνη αν η συσκευή χρησιμοποιηθεί με λανθασμένο τρόπο ή σε περίπτωση μη συμμόρφωσης με αυτές τις οδηγίες.

σημαντική πληροφορία

- Ποτέ μη χρησιμοποιείτε τη συσκευή χωρίς νερό – θα καεί η αντλία.
- Διατηρείτε τη συσκευή σε θερμοκρασία άνω των 0°C – διαφορετικά το νερό που τυχόν βρίσκεται μέσα στη συσκευή θα παγώσει και θα προκαλέσει φθορά.
- Ποτέ μη χρησιμοποιείτε τη συσκευή χωρίς το δίσκο αποστράγγισης και τη βάση για το φλιτζάνι.

πριν από τη σύνδεση στο ρεύμα

- Βεβαιωθείτε ότι η παροχή ηλεκτρικού ρεύματος είναι ίδια με αυτή που αναγράφεται στο κάτω μέρος της συσκευής σας.
- Αυτή η συσκευή συμμορφώνεται με την οδηγία της ΕΚ 2004/108/ΕΚ σχετικά με την Ηλεκτρομαγνητική συμβατότητα και τον κανονισμό ΕΚ υπ' αριθμόν 1935/2004 της 27/10/2004 σχετικά με τα υλικά που προορίζονται να έρθουν σε επαφή με τρόφιμα.

για να γνωρίσετε την καφετιέρα εσπρέσο της Kenwood

- ① αποσπώμενο δοχείο νερού
- ② καπάκι
- ③ λαβή για το επιστόμιο ατμού
- ④ σωλήνας ατμού
- ⑤ επιστόμιο ατμού
- ⑥ στόμιο εκροής καφέ
- ⑦ διακόπτης ρύθμισης ατμού
- ⑧ μικρό φίλτρο για σερβίρισμα 1 φλιτζανιού ή για κάψουλα καφέ
- ⑨ γλωττίδα
- ⑩ μεγάλο φίλτρο για σερβίρισμα μόνο 2 φλιτζανιών καφέ
- ⑪ κουμπί καφέ
- ⑫ ενδεικτική λυχνία έτοιμου καφέ
- ⑬ κουμπί λειτουργίας
- ⑭ ενδεικτική λυχνία έτοιμου ατμού
- ⑮ κουμπί ατμού
- ⑯ δίσκος αποστράγγισης
- ⑰ φλοτέρ
- ⑱ βάση για το φλιτζάνι
- ⑲ κουτάλι-μεζούρα/πατητήρι καφέ
- ⑳ υποδοχή φίλτρου
- ㉑ μοχλός για το άδειασμα του φίλτρου
- ㉒ δίσκος αποθήκευσης για κούπες

πριν παρασκευάσετε καφέ για πρώτη φορά

- 1 Βεβαιωθείτε ότι ο διακόπτης ρύθμισης ατμού είναι κλειστός, στρέφοντάς τον προς τα δεξιά (μην τον σφίξετε υπερβολικά).
- 2 Ανασηκώστε το καπάκι του δοχείου νερού και γεμίστε το με κρύο νερό. Ποτέ μη γεμίζετε πάνω από την ανώτατη στάθμη νερού με την ένδειξη «MAX». Εναλλακτικά, ανασηκώστε το καπάκι και γεμίστε το δοχείο ενώ βρίσκεται στη θέση του.
- Συνιστούμε να χρησιμοποιείτε φιλτραρισμένο νερό, καθώς ο καφές που παρασκευάζεται είναι καλύτερος και μειώνεται η συσσώρευση αλάτων. Ποτέ μη χρησιμοποιείτε ανθρακούχο νερό ή οποιοδήποτε άλλο υγρό.
- 3 Επαναπροσαρμόστε το δοχείο. Βεβαιωθείτε ότι έχει τοποθετηθεί σωστά και πιέστε ελαφρά, εάν χρειάζεται, ώστε να διασφαλίσετε ότι η βαλβίδα στο κάτω μέρος του δοχείου εφαρμόζει στο κάτω μέρος της συσκευής.
- **Σημαντική πληροφορία**
Ποτέ μην θέτετε τη συσκευή σε λειτουργία χωρίς να υπάρχει νερό στο δοχείο. Συμπληρώνετε νερό αμέσως μόλις κατέβει η στάθμη.
- 4 Κλείστε το καπάκι.
- 5 Κρατήστε τη λαβή, τραβήξτε προς τα έξω το επιστόμιο ατμού με περιστροφική κίνηση και τοποθετήστε μια κανάτα από κάτω.
- 6 Προσαρμόστε την υποδοχή φίλτρου στη συσκευή, τοποθετώντας την κάτω από το στόμιο εκροής καφέ και στρέφοντάς προς τα δεξιά ①. Τοποθετήστε ένα δοχείο κατάλληλου μεγέθους από κάτω.
- 7 Συνδέστε στην πρίζα και έπειτα πατήστε το κουμπί λειτουργίας, το οποίο θα γίνει πορτοκαλί. Την ίδια στιγμή θα αρχίσει να αναβοσβήνει η πράσινη ενδεικτική λυχνία έτοιμου καφέ. Περιμένετε έως ότου η πράσινη λυχνία σταματήσει να αναβοσβήνει.
- 8 Ανοίξτε το διακόπτη ρύθμισης ατμού στρέφοντάς τον προς τα αριστερά, πατήστε το κουμπί καφέ και αφήστε ένα φλιτζάνι νερό να τρέξει από το επιστόμιο ατμού. Κλείστε το διακόπτη ρύθμισης ατμού και αφήστε άλλο ένα φλιτζάνι νερού να τρέξει από το στόμιο εκροής καφέ μέσα στο δοχείο.
- 9 Πατήστε το κουμπί καφέ για να σταματήσει η ροή, έπειτα πατήστε το κουμπί λειτουργίας για να απενεργοποιήσετε τη συσκευή.
- 10 Επαναλάβετε την παραπάνω διαδικασία εάν δεν έχετε χρησιμοποιήσει την καφετιέρα για μερικές μέρες.

για να προθερμάνετε την καφετιέρα

Για να διασφαλίσετε ότι ο καφές εσπρέσο σερβίρεται στη σωστή θερμοκρασία είναι απαραίτητο να προθερμάνετε την μονάδα παρασκευής καφέ.

- 1 Ελέγξτε ότι ο διακόπτης ρύθμισης ατμού είναι εντελώς κλειστός (στρέψτε προς τα δεξιά) και ότι υπάρχει επαρκής ποσότητα νερού για 1 ή 2 φλιτζάνια, ανάλογα με τις απαιτήσεις σας.
- 2 Εφαρμόστε το φίλτρο που επιθυμείτε μέσα στην υποδοχή του φίλτρου (χωρίς καφέ και διασφαλίζοντας ότι η γλωττίδα στο φίλτρο εφαρμόζει στην εγκοπή της υποδοχής φίλτρου). Προσαρμόστε στη συσκευή, τοποθετώντας την κάτω από το στόμιο εκροής καφέ και στρέφοντάς προς τα δεξιά ①. Βεβαιωθείτε ότι έχει τοποθετηθεί σταθερά.

- 3 Τοποθετήστε ένα φλιτζάνι κάτω από την υποδοχή του φίλτρου. Η χρήση του φλιτζανιού μέσα στο οποίο θα σερβίρετε τον καφέ θα διασφαλίσει την προθέρμανσή του.
- 4 Πατήστε το κουμπί λειτουργίας, το οποίο θα γίνει πορτοκαλί. Την ίδια στιγμή θα αρχίσει να αναβοσβήνει η πράσινη ενδεικτική λυχνία έτοιμου καφέ. Περιμένετε έως ότου η πράσινη λυχνία σταματήσει να αναβοσβήνει.
- 5 Πατήστε το κουμπί του καφέ ώστε να γίνει πορτοκαλί και το καυτό νερό θα αρχίσει να τρέχει στο φλιτζάνι. Όταν η πράσινη ενδεικτική λυχνία έτοιμου καφέ αρχίσει να αναβοσβήνει και πάλι, πατήστε το κουμπί του καφέ για να σταματήσει η ροή.
- 6 Αφαιρέστε την υποδοχή του φίλτρου και προχωρήστε στη διαδικασία παρασκευής του καφέ χρησιμοποιώντας αλεσμένο καφέ ή κάψουλες καφέ.

για να παρασκευάσετε εσπρέσο χρησιμοποιώντας αλεσμένο καφέ

- 1 Προθερμάνετε τη συσκευή όπως περιγράφεται στη σελίδα 67.
- 2 Ελέγξτε ότι υπάρχει νερό μέσα στο δοχείο.
- 3 Επιλέξτε το φίλτρο που επιθυμείτε.
 - Χρησιμοποιείτε το μικρότερο φίλτρο για την παρασκευή ενός φλιτζανιού καφέ (ή όταν χρησιμοποιείτε κάψουλες καφέ) και το μεγαλύτερο φίλτρο για 2 φλιτζάνια.
- 4 Προσθέστε τον καφέ χρησιμοποιώντας το κουτάλι-μεζούρα που παρέχεται, μετρώντας μια κοφή κουταλιά καφέ για κάθε φλιτζάνι. Φροντίστε η επιφάνεια του καφέ να είναι ομοιόμορφη και έπειτα πιέστε ελαφρά με το πατητήρι καφέ. Σκουπίστε τυχόν ποσότητα καφέ γύρω από το χείλος.
 - Όταν αγοράζετε αλεσμένο καφέ βεβαιωθείτε ότι είναι κατάλληλος για καφετιέρες εσπρέσο.
 - Ποτέ μην ασκείτε πολύ μεγάλη πίεση στον καφέ, καθώς έτσι θα μπλοκάρει το φίλτρο, ο καφές θα ρέει αργά και η κρέμα θα έχει σκούρο χρώμα. Ωστόσο, εάν ασκείτε πολύ μικρή πίεση, ο καφές θα ρέει πολύ γρήγορα, η κρέμα θα έχει ανοικτό χρώμα και ο καφές θα έχει νερούλη γεύση.
- 5 Τοποθετήστε την υποδοχή φίλτρου. Βεβαιωθείτε ότι η γλωττίδα του φίλτρου εφαρμόζει στην εγκοπή πάνω στην υποδοχή του φίλτρου.
- 6 Τοποθετήστε την υποδοχή του φίλτρου μέσα στο στόμιο εκροής καφέ. Στρέψτε προς τα δεξιά για να ασφαλίσει στη θέση του ❶.
- Τοποθετήστε ένα ή δύο φλιτζάνια από κάτω ❷. Εάν θέλετε να παρασκευάσετε ένα φλιτζάνι καφέ, τοποθετήστε το φλιτζάνι σας ακριβώς στο κέντρο.
- 7 Πατήστε το κουμπί λειτουργίας και περιμένετε έως ότου η πράσινη ενδεικτική λυχνία έτοιμου καφέ σταματήσει να αναβοσβήνει και έπειτα, πατήστε το κουμπί του καφέ.
- 8 Όταν έχετε αρκετή ποσότητα καφέ – όχι πολύ μεγάλη ποσότητα γιατί θα είναι πολύ ελαφρύς, πατήστε το κουμπί καφέ. Εάν δεν πρόκειται να παρασκευάσετε άλλη ποσότητα καφέ, πατήστε το κουμπί λειτουργίας για να απενεργοποιήσετε τη συσκευή. Ο παρακάτω πίνακας αποτελεί οδηγό σχετικά με το χρόνο λειτουργίας του κουμπιού για καφέ, προκειμένου να παρασκευάζετε ροφήματα σε διαφορετικές ποσότητες.

ποσότητα	μέγεθος φίλτρου	χρόνος κατά προσέγγιση μέχρι την εκροή
1 εσπρέσο (40 ml)	1 φλιτζάνι	12 δευτ.
2 x εσπρέσο (40 ml έκαστος)	2 φλιτζάνια	25 δευτ.
1 μεγάλος καφές (125 ml)	1 φλιτζάνι	32 δευτ.
2 μεγάλοι καφέδες (125 ml έκαστος)	2 φλιτζάνια	65 δευτ.

- 9 Περιμένετε για 30 δευτερόλεπτα και έπειτα αφαιρέστε την υποδοχή του φίλτρου, στρέφοντας προς τα αριστερά.
 - Μπορεί να υπάρχει νερό στο φίλτρο όταν το αφαιρείτε: αυτό είναι φυσιολογικό.
- 10 Για να αφαιρέσετε τον καφέ που χρησιμοποιήσατε από την υποδοχή του φίλτρου, ανασηκώστε το μοχλό που βρίσκεται στη λαβή, ώστε η άκρη του να εφαρμόσει πάνω στο φίλτρο ❸. Κρατήστε το μοχλό στη θέση του, έπειτα αναποδογυρίστε τη μονάδα και χτυπώντας ελαφρά, αφαιρέστε τα υπολείμματα ❹.

Σημαντική πληροφορία

Ποτέ μην αφαιρείτε την υποδοχή του φίλτρου ενώ έχει επιλεγεί η λειτουργία για παρασκευή καφέ ή ατμού – μπορεί να εκτοξευθεί ατμός και να σας κάψει.

για να παρασκευάσετε καφέ χρησιμοποιώντας κάψουλες φίλτρου

Σημαντική πληροφορία

Εάν χρησιμοποιήσετε την υποδοχή του φίλτρου για κάψουλες αφού πριν χρησιμοποιήσατε αλεσμένο καφέ, πρέπει να καθαρίσετε τυχόν ποσότητα αλεσμένου καφέ γύρω από το στόμιο εκροής καφέ. Αυτό είναι απαραίτητο ώστε να αποφύγετε διαρροή νερού από την υποδοχή του φίλτρου και για να διασφαλίσετε βέλτιστη απόδοση. Προσέξτε καθώς η περιοχή μπορεί να καίει.

- 1 Προθερμάνετε τη συσκευή όπως περιγράφεται στη σελίδα 67, τοποθετώντας το μικρότερο φίλτρο μέσα στην υποδοχή φίλτρου.
- 2 Μετά την προθέρμανση, αφαιρέστε την υποδοχή φίλτρου και τοποθετήστε τη κάψουλα του καφέ μέσα στο φίλτρο, φροντίζοντας η κάψουλα να έχει τοποθετηθεί από τη σωστή πλευρά ❶.
- 3 Πιέστε την κάψουλα προς το χαμηλότερο μέρος του φίλτρου, φροντίζοντας τα χέρνια περύνια να κολλάνε στο εσωτερικό μέρος του φίλτρου.
- 4 Η κάψουλα πρέπει να τοποθετείται ακριβώς στο κέντρο στο εσωτερικό του φίλτρου.
- 5 Προσαρμόστε την υποδοχή του φίλτρου στο στόμιο εκροής του καφέ και στρέψτε προς τα δεξιά μέχρι να ασφαλίσει στη θέση του ❶.
- 6 Ακολουθήστε τα βήματα στην ενότητα «για να παρασκευάσετε εσπρέσο». Σημείωση – χρησιμοποιείτε κάψουλες καφέ που κατασκευάζονται σύμφωνα με τις προδιαγραφές ESE.
 - Ακολουθείτε πάντα τις οδηγίες στη συσκευασία όπου περιέχονται οι κάψουλες ώστε αυτές να τοποθετούνται σωστά μέσα στο φίλτρο.



για να παρασκευάσετε αφρόγαλα για καπουτσίνο

Παρασκευάστε καφέ εσπρέσο όπως περιγράφεται παραπάνω.

πρακτική συμβουλή – για να παρασκευάσετε περισσότερους από έναν καπουτσίνο, παρασκευάστε πρώτα όλους τους καφέδες, έπειτα στο τέλος ετοιμάστε το αφρόγαλα για όλους τους καφέδες καπουτσίνο.

- 1 Βεβαιωθείτε ότι υπάρχει νερό μέσα στο δοχείο.
- 2 Βεβαιωθείτε ότι ο διακόπτης ρύθμισης ατμού είναι κλειστός
- 3 Πατήστε το κουμπί λειτουργίας, το οποίο θα γίνει πορτοκαλί.
- 4 Πατήστε το κουμπί ατμού και η κόκκινη ενδεικτική λυχνία ατμού θα αρχίσει να αναβοσβήνει.
- 5 Περιμένετε έως ότου η κόκκινη λυχνία ανάβει συνεχώς, υποδεικνύοντας ότι η μονάδα έχει φτάσει στη σωστή θερμοκρασία.
- 6 Γεμίστε μέρος μιας κανάτας με γάλα – ο όγκος του γάλακτος μπορεί να αυξηθεί έως και τρεις φορές, γι' αυτό επιλέξτε κανάτα σε κατάλληλο μέγεθος. Ως οδηγό, χρησιμοποιείτε 40-60 ml γάλακτος ανά καπουτσίνο.
 - Το κρύο ημιαποβουτυρωμένο γάλα δίνει καλύτερα αποτελέσματα.
- 7 Κρατήστε την κανάτα στο ένα χέρι και τοποθετήστε το επιστόμιο μέσα στο γάλα, διασφαλίζοντας ότι η στάθμη του γάλακτος δεν υπερβαίνει το σύνδεσμο του επιστομίου.
- 8 Ανοίξτε το διακόπτη ρύθμισης ατμού περιστρέφοντας προς τα αριστερά. Το γάλα θα αρχίσει να αυξάνει σε όγκο και να είναι αφρώδες ❶. Προσαρμόστε το ύψος της κανάτας διασφαλίζοντας ότι η άκρη του επιστομίου παραμένει κάτω από τη στάθμη του γάλακτος. Μετά από 20-25 δευτερόλεπτα, το αφρόγαλα θα είναι έτοιμο.
- 9 Σταματήστε τον ατμό στρέφοντας το διακόπτη ρύθμισης ατμού προς τα δεξιά.
 - Ποτέ μην αφήνετε το γάλα να βράσει καθώς θα αλλοιωθεί η γεύση του καφέ.
- 10 Πατήστε το κουμπί ατμού.
- 11 Σερβίρετε το αφρόγαλα στα φλιτζάνια που περιέχουν τον καφέ εσπρέσο. Για καφέ λάτε, σερβίρετε μόνο το αχνισμένο γάλα και όχι το αφρόγαλα.
 - **Σημαντική πληροφορία** – Ποτέ μη θέτετε το επιστόμιο ατμού σε λειτουργία πάνω από 2 λεπτά κάθε φορά και να το καθαρίζετε πάντα μετά από κάθε χρήση.
- 12 Πατήστε το κουμπί λειτουργίας για να απενεργοποιήσετε τη συσκευή.

για να παρασκευάσετε εσπρέσο αφού ετοιμάσετε αφρόγαλα

Σημαντική πληροφορία

Ποτέ μην αφαιρείτε την υποδοχή του φίλτρου από το προστατευτικό της κάλυμμα αμέσως μετά τη χρήση της λειτουργίας του ατμού.

Εάν πρόκειται να παρασκευάσετε εσπρέσο αφού ετοιμάσετε αφρόγαλα, πρέπει να απορρίψετε τυχόν πολύ καυτή ποσότητα νερού που μπορεί να κάψει τον καφέ σας. Ακολουθήστε την παρακάτω διαδικασία:

- 1 Απενεργοποιήστε το κουμπί ατμού.
- 2 Βεβαιωθείτε ότι υπάρχει νερό στο δοχείο και τοποθετήστε μια κανάτα κάτω από το επιστόμιο ατμού.
- 3 Ανοίξτε το διακόπτη ρύθμισης ατμού στρέφοντας προς τα αριστερά και πατήστε το κουμπί του καφέ (το νερό/ο ατμός θα αρχίσει να βγαίνει από το επιστόμιο ατμού). Περιμένετε έως ότου αρχίσει να αναβοσβήνει η πράσινη λυχνία και έπειτα κλείστε το διακόπτη ρύθμισης ατμού και απενεργοποιήστε το κουμπί του καφέ
- 4 Περιμένετε λίγο έως ότου η πράσινη ενδεικτική λυχνία είναι συνεχώς αναμμένη. Όταν συμβεί αυτό, η συσκευή είναι έτοιμη για την παρασκευή καφέ.

καθαρισμός

επιστόμιο ατμού

Πριν από τον καθαρισμό, αφήστε να τρέξει λίγο καυτό νερό από το επιστόμιο, ώστε να είναι ευκολότερη η διαδικασία καθαρισμού. Αυτό πρέπει να γίνει αμέσως μετά την εκροή ατμού. Ακολουθήστε την παρακάτω διαδικασία:

- 1 Βεβαιωθείτε ότι υπάρχει νερό στο δοχείο και μια κανάτα κάτω από το επιστόμιο ατμού.
 - 2 Απενεργοποιήστε το κουμπί ατμού.
 - 3 Ανοίξτε το διακόπτη ατμού στρέφοντας προς τα αριστερά.
 - 4 Πατήστε το κουμπί του καφέ και αφήστε να λειτουργήσει για περίπου 10 δευτερόλεπτα, έτσι ώστε να τρέξει καυτό νερό από το επιστόμιο.
 - 5 Απενεργοποιήστε το κουμπί του καφέ και μετά κλείστε το διακόπτη ρύθμισης ατμού στρέφοντας προς τα δεξιά.
 - 6 Πατήστε το κουμπί λειτουργίας για να απενεργοποιήσετε τη συσκευή.
- Πριν από τον καθαρισμό, αποσυνδέστε τη συσκευή από το ρεύμα και αφήστε όλα τα μέρη να κρυώσουν.
 - Ποτέ μη βυθίζετε τη συσκευή σε νερό.
 - Μην πλένετε τα μέρη της συσκευής στο πλυντήριο πιάτων.

επιστόμιο ατμού

- 1 Ξεβιδώστε το επιστόμιο στρέφοντάς το προς τα δεξιά, έπειτα πλύνετε πολύ καλά. Ελέγξτε ότι οι 3 οπές που υποδεικνύονται δεν έχουν φράξει 15. Εάν χρειάζεται, αποφράξτε τις με μια βελόνα.
- 2 Καθαρίστε το σωλήνα ατμού. Βεβαιωθείτε ότι το άκρο δεν έχει φράξει.
- 3 Βιδώστε πάλι το επιστόμιο επάνω στο σωλήνα παροχής.

δοχείο, καπάκι, υποδοχή φίλτρου

- Πλύνετε, ξεβγάλτε και αφήστε να στεγνώσουν.

φίλτρο (για ένα ή για δύο φλιτζάνια)

- Πλύνετε και στεγνώστε μετά από κάθε χρήση.
- Μετά από κάθε 100 περίπου χρήσεις, αποσυναρμολογήστε και καθαρίστε πιο προσεκτικά, όπως περιγράφεται παρακάτω.
- Αφαιρέστε το πώμα που βρίσκεται στο κάτω μέρος του φίλτρου στρέφοντας προς την υποδεικνυόμενη κατεύθυνση 7. Αφαιρέστε το μηχανισμό παρασκευής κρέμας, στρώχνοντας το κάτω μέρος προς τα πάνω 8. Διαχωρίστε τα μέρη του μηχανισμού παρασκευής κρέμας τραβώντας πλάγια το σύνδεσμο στεγανοποίησης 9 και αφαιρώντας τον πλαστικό δίσκο και το μεταλλικό φίλτρο 10. Ξεβγάλτε πολύ καλά όλα τα μέρη. Καθαρίστε το μεταλλικό φίλτρο με καυτό νερό χρησιμοποιώντας μία βούρτσα 11. Βεβαιωθείτε ότι οι οπές στο μεταλλικό φίλτρο δεν έχουν φράξει. Εάν χρειάζεται, καθαρίστε τις με μία βελόνα 12. Στεγνώστε τα μέρη, έπειτα επανασυναρμολογήστε, αφού βεβαιωθείτε ότι τα μέρη έχουν τοποθετηθεί στη σωστή διάταξη.

βάση για το φλιτζάνι, δίσκος αποστράγγισης

- Αδειάζετε τακτικά το δίσκο αποστράγγισης. Θα καταλάβετε ότι έχει γεμίσει όταν το κόκκινο φλωτέρ στο κέντρο του δίσκου αποστράγγισης ανέβει και είναι ορατό στην κεντρική οπή επάνω στη βάση για το φλιτζάνι.

- 1 Πλύνετε, έπειτα στεγνώστε.

στόμιο εκροής καφέ

- Μετά από κάθε χρήση ελέγξτε ότι αυτή η περιοχή είναι καθαρή και δεν υπάρχουν υπολείμματα καφέ. Σκουπίστε το στόμιο εκροής καφέ και εάν χρειάζεται, εκτελέστε την παρακάτω διαδικασία για να καθαρίσετε πιο σχολαστικά. Εάν δεν διατηρείτε αυτή την περιοχή καθαρή, θα επηρεαστεί η ποιότητα του παραγόμενου καφέ και μπορεί να προκληθεί βλάβη στη συσκευή.
- 1 Χρησιμοποιώντας ένα κατσαβίδι 13, ξεβιδώστε τη βίδα που κρατά το στόμιο εκροής του καφέ στη θέση του (μην αφαιρείτε το εσωτερικό κάλυμμα).
 - 2 Καθαρίστε την περιοχή με ένα υγρό πανί.
 - 3 Καθαρίστε πολύ καλά το στόμιο εκροής που αφαιρέσατε σε ζεστό νερό με σαπούνι χρησιμοποιώντας μία βούρτσα. Ξεβγάλτε πολύ καλά. Βεβαιωθείτε ότι οι οπές δεν έχουν φράξει. Εάν χρειάζεται, χρησιμοποιήστε μία βελόνα για να τις καθαρίσετε.
 - 4 Αντιστρέψτε την παρακάτω διαδικασία για να επαναπροσαρμόσετε στο στόμιο εκροής. Εάν δεν καθαρίζετε το στόμιο εκροής του καφέ και τα φίλτρα όπως περιγράφεται, η εγγύηση ακυρώνεται.

Καθαρισμός αλάτων

Συνιστάται να αφαιρείτε τα άλατα από την καφετιέρα μετά από 200 φλιτζάνια καφέ.

- 1 Συνιστούμε την αγορά ενός προϊόντος ειδικού για την αφαίρεση αλάτων από καφετιέρες εσπρέσο. Χρησιμοποιήστε τις ποσότητες που συνιστώνται στο ειδικό προϊόν αφαίρεσης αλάτων, αλλά μην υπερβείτε τη χωρητικότητα 1 λίτρου του δοχείου.
- 2 Βεβαιωθείτε ότι δεν έχετε προσαρμόσει την υποδοχή του φίλτρου και τοποθετήστε ένα μπωλ κάτω από το στόμιο εκροής του καφέ και μία κανάτα κάτω από το επιστόμιο ατμού.
- 3 Πατήστε το κουμπί λειτουργίας και έπειτα πατήστε το κουμπί του καφέ και ανοίξτε το διακόπτη ρύθμισης ατμού στρέφοντάς τον προς τα αριστερά. Αφήστε 1 φλιτζάνι νερό να τρέξει από το επιστόμιο ατμού. Κλείστε το διακόπτη ρύθμισης ατμού και αφήστε άλλο ένα φλιτζάνι νερό να τρέξει από το στόμιο εκροής καφέ. Μην περιμένετε να σταματήσει να αναβοσβήνει η πράσινη ενδεικτική λυχνία.
- 4 Απενεργοποιήστε και αποσυνδέστε την καφετιέρα από την πρίζα, αφήνοντας τη συσκευή εκτός λειτουργίας για 15 λεπτά.
- 5 Επαναλάβετε το βήμα 3 και αφήστε το ειδικό προϊόν αφαίρεσης αλάτων να εξέλθει από τη συσκευή. Απενεργοποιήστε.
- 6 Ξεπλύνετε το δοχείο πολύ καλά και γεμίστε το με φρέσκο νερό.
- 7 Ακολουθήστε το βήμα 3, αφήνοντας το νερό να τρέξει από το επιστόμιο καυτού νερού, καθώς και από το στόμιο εκροής καφέ. Επαναλάβετε τη διαδικασία με φρέσκο νερό. Με αυτό τον τρόπο θα απομακρυνθούν όλα τα υπολείμματα του ειδικού προϊόντος αφαίρεσης αλάτων.

Οι επισκευές που προκαλούνται από κακή λειτουργία λόγω συσσώρευσης αλάτων στο προϊόν δεν καλύπτονται από την εγγύηση εάν δεν ακολουθείται τακτικά η διαδικασία για την αφαίρεση των αλάτων.

σέρβις και εξυπηρέτηση πελατών

- Εάν το καλώδιο έχει υποστεί ζημιά, πρέπει, για λόγους ασφαλείας, να αντικατασταθεί από την KENWOOD ή από εξουσιοδοτημένο κέντρο επισκευών της KENWOOD.
- Εάν χρειάζεστε βοήθεια σχετικά με:
 - τη χρήση της συσκευής ή
 - το σέρβις ή τις επισκευέςεπικοινωνήστε με το κατάστημα από το οποίο αγοράσατε τη συσκευή σας.
- Σχεδιάστηκε και αναπτύχθηκε από την Kenwood στο Ηνωμένο Βασίλειο.
- Κατασκευάστηκε στην Κίνα.



Προειδοποιήσεις για τη σωστή διάθεση του προϊόντος σύμφωνα με την Ευρωπαϊκή Οδηγία 2002/96/ΕΚ

Στο τέλος της ωφέλιμης ζωής του, το προϊόν δεν πρέπει να διατίθεται με τα αστικά απορρίμματα.

Πρέπει να διατεθεί σε ειδικά κέντρα διαφοροποιημένης συλλογής απορριμμάτων που ορίζουν οι δημοτικές αρχές, ή στους φορείς που παρέχουν αυτήν την υπηρεσία. Η Χωριστή διάθεση μιας οικιακής ηλεκτρικής συσκευής επιτρέπει την αποφυγή πιθανών αρνητικών συνεπειών για το περιβάλλον και την υγεία από την ακατάλληλη διάθεση καθώς και την ανακύκλωση υλικών από τα οποία αποτελείται ώστε να επιτυγχάνεται σημαντική εξοικονόμηση ενέργειας και πόρων.

Για την επισήμανση της υποχρεωτικής χωριστής διάθεσης οικιακών ηλεκτρικών συσκευών το προϊόν φέρει το σήμα του διαγραμμένου τροχοφόρου κάδου απορριμμάτων.

ΕΝΤΟΠΙΣΜΟΣ ΚΑΙ ΕΠΙΛΥΣΗ ΤΕΧΝΙΚΩΝ ΠΡΟΒΛΗΜΑΤΩΝ

πρόβλημα	πιθανή αιτία	λύση
Η καφετιέρα δεν παράγει καφέ εσπρέσο.	<ul style="list-style-type: none"> • Ο καφές είναι νοτισμένος και/ή ασκήθηκε πολύ μεγάλη πίεση για να τοποθετηθεί μέσα στο φίλτρο. • Οι οπές των στομιών εκροής στην υποδοχή του φίλτρου έχουν φράξει. • Το στόμιο εκροής καφέ έχει φράξει. • Το δοχείο δεν έχει προσαρμοστεί σωστά και η βαλβίδα στο κάτω μέρος δεν είναι ανοιχτή. • Οι οπές του μηχανισμού για την παρασκευή κρέμας έχουν φράξει. 	<ul style="list-style-type: none"> • Ελέγξτε ότι χρησιμοποιείτε αλεσμένο καφέ κατάλληλο για καφετιέρες εσπρέσο. Πιέστε πιο ελαφρά τον καφέ μέσα στο φίλτρο και αλλάξτε εάν χρειάζεται τον τύπο αλέσματος. • Καθαρίστε τις οπές των στομιών εκροής. • Καθαρίστε σύμφωνα με τις οδηγίες που αναφέρονται στην ενότητα για τον καθαρισμό. • Πιέστε ελαφρά το δοχείο ώστε να ανοίξει η βαλβίδα στο κάτω μέρος. • Αποσυναρμολογήστε τον μηχανισμό παρασκευής κρέμας 8 και καθαρίστε πολύ καλά τα μέρη. Βλέπε ενότητα Καθαρισμός (φίλτρο).
Ο καφές εσπρέσο διαρρέει από τις άκρες της υποδοχής του φίλτρου και όχι από τις οπές.	<ul style="list-style-type: none"> • Η υποδοχή του φίλτρου δεν έχει προσαρμοστεί σωστά στη συσκευή. • Ο σύνδεσμος στεγανοποίησης του βραστήρα εσπρέσο έχει χάσει την ελαστικότητά του. • Οι οπές των στομιών εκροής στην υποδοχή του φίλτρου έχουν φράξει. • Έχει τοποθετηθεί υπερβολική ποσότητα καφέ στο φίλτρο. 	<ul style="list-style-type: none"> • Επαναπροσαρμόστε την υποδοχή του φίλτρου, φροντίζοντας να έχει τοποθετηθεί σωστά και στρέψτε προς τα δεξιά. • Αντικαταστήστε το σύνδεσμο στεγανοποίησης. Ανατρέξτε στην ενότητα Σέρβις και Εξυπηρέτηση Πελατών. • Καθαρίστε τις οπές των στομιών εκροής. • Μειώστε την ποσότητα του καφέ.
Ο καφές εσπρέσο είναι κρύος	<ul style="list-style-type: none"> • Δεν ακολουθήθηκε η διαδικασία προθέρμανσης της συσκευής. • Η πράσινη ενδεικτική λυχνία έτοιμου καφέ δεν είχε ανάψει όταν πατήθηκε το κουμπί καφέ. 	<ul style="list-style-type: none"> • Ακολουθήστε τις οδηγίες σχετικά με την προθέρμανση της καφετιέρας. • Περιμένετε έως ότου σταματήσει να αναβοσβήνει η πράσινη ενδεικτική λυχνία καφέ προτού πατήσετε το κουμπί του καφέ.
Η αντλία κάνει πολύ θόρυβο όταν λειτουργεί.	<ul style="list-style-type: none"> • Το δοχείο νερού είναι άδειο. • Το δοχείο δεν έχει προσαρμοστεί σωστά και η βαλβίδα στο κάτω μέρος δεν είναι ανοιχτή. 	<ul style="list-style-type: none"> • Γεμίστε το δοχείο με νερό. • Πιέστε ελαφρά το δοχείο ώστε να ανοίξετε τη βαλβίδα στο κάτω μέρος.
Η κρέμα του καφέ έχει ανοιχτό χρώμα και ρέει πολύ γρήγορα.	<ul style="list-style-type: none"> • Δεν έχετε πιέσει τον αλεσμένο καφέ αρκετά. • Δεν έχετε χρησιμοποιήσει αρκετή ποσότητα αλεσμένου καφέ. • Χρησιμοποιήσατε μεγάλη ποσότητα καφέ. • Ο καφές που χρησιμοποιείτε δεν είναι ο κατάλληλος. 	<ul style="list-style-type: none"> • Πιέστε τον καφέ ασκώντας μεγαλύτερη πίεση. • Αυξήστε την ποσότητα του καφέ μέσα στο φίλτρο. • Μειώστε την ποσότητα του καφέ που σερβίρεται μέσα στο φλιτζάνι/στα φλιτζάνια. • Αλλάξτε τον τύπο του καφέ που χρησιμοποιείτε.
Η κρέμα του καφέ έχει σκούρο χρώμα και ρέει πολύ αργά.	<ul style="list-style-type: none"> • Πιέσατε πολύ δυνατά τον αλεσμένο καφέ. • Το στόμιο εκροής καφέ έχει φράξει. • Χρησιμοποιήσατε πολύ μεγάλη ποσότητα καφέ. • Ο καφές είναι πολύ φιλοκομμένος. • Ο καφές που χρησιμοποιείτε δεν είναι ο κατάλληλος. 	<ul style="list-style-type: none"> • Πιέστε τον καφέ ασκώντας λιγότερη πίεση. • Καθαρίστε τη συσκευή όπως περιγράφεται στην ενότητα για τον καθαρισμό. • Μειώστε την ποσότητα του καφέ. • Αλλάξτε τον καφέ που χρησιμοποιείτε και αγοράστε έναν κατάλληλο για καφετιέρες εσπρέσο. • Αλλάξτε τον καφέ που χρησιμοποιείτε και αγοράστε έναν κατάλληλο για καφετιέρες εσπρέσο.
Ο καφές έχει όξινη γεύση.	<ul style="list-style-type: none"> • Δεν ξεπλύνετε πολύ καλά τη συσκευή μετά από τον καθαρισμό των αλάτων. 	<ul style="list-style-type: none"> • Καθαρίστε τη συσκευή με τρεχούμενο νερό επαναλαμβάνοντας αρκετές φορές τη διαδικασία και ξεπλύνετε όλα τα εξαρτήματα, βλέπε ενότητα για τον καθαρισμό.
Το γάλα δεν αφρίζει όταν φτιάχνετε καπουτσίνο	<ul style="list-style-type: none"> • Το γάλα δεν είναι αρκετά κρύο. • Ο παρασκευαστής καπουτσίνο είναι βρώμικος. 	<ul style="list-style-type: none"> • Χρησιμοποιείτε πάντα γάλα από το ψυγείο. • Δοκιμάστε γάλα με διαφορετική περιεκτικότητα σε λιπαρά. • Καθαρίστε το σωλήνα παροχής ατμού και το επιστόμιο. Βλέπε ενότητα για τον καθαρισμό.

Slovenčina

Otvorte ilustrácie z titulnej strany

pred prvým použitím

- 1 Starostlivo si prečítajte tieto inštrukcie uschovajte ich pre budúcnosť.
- 2 Odstráňte všetky obaly a štítky.
- 3 Poumývajte jednotlivé časti: pozrite si časť "čistenie".
- 4 Zariadenie prepláchnite čistou vodou: pozrite si časť „pred uvarením prvej kávy“.

bezpečnosť

- Nikdy nevyberajte držiak filtra v čase, keď sa varí káva, alebo sa vytvára para – hrozí vyfúknutie pary a popálenie.
- Dávajte pozor na popálenie spôsobené:
 - horúcimi časťami, napr. dýzou na paru, držiakom filtra alebo vývodom kávy.
 - parou vychádzajúcou z dýzy na paru alebo kávou vychádzajúcou z vývodu kávy.
- Zariadenie uchovávajte mimo dosahu detí. A nikdy nenechávajte prívodnú elektrickú šnúru visieť tak, aby ju mohli uchopiť deti.
- Nikdy nepoužívajte poškodené zariadenie. Poškodené zariadenie dajte skontrolovať alebo opraviť: pozrite si časť „servis a starostlivosť o zákazníkov“.
- Nikdy nenamáčajte zariadenie do vody a nevystavujte vlhkosti elektrickú šnúru ani zástrčku – mohlo by dôjsť k zasiahnutiu elektrickým prúdom.
- Zariadenie odpojte zo siete:
 - pred jeho naplnením vodou,
 - pred čistením,
 - po použití.
- Nikdy nenechávajte zapnuté zariadenie bez dozoru.
- Nedovoľte, aby sa prívodný kábel dotýkal horúcich častí.
- Toto zariadenie nesmú používať žiadne osoby (vrátane detí), ktoré majú obmedzené fyzické, senzorické alebo mentálne schopnosti, alebo majú málo skúseností s podobnými zariadeniami, iba ak by tak robili pod kvalifikovaným dohľadom alebo ak vopred obdržia dostatočné inštrukcie o obsluhu tohto zariadenia od osoby, ktorá zodpovedá za ich bezpečnosť.
- Deti musia byť pod dohľadom, aby sa zaručilo, že sa nebudú s týmto zariadením hrať.
- Toto zariadenie používajte len v domácnosti na stanovený účel. Firma Kenwood nepreberie žiadnu zodpovednosť za následky nesprávneho používania zariadenia, ani za následky nerešpektovania týchto inštrukcií.

dôležité upozornenie

- Zariadenie nikdy nepoužívajte bez vody – inak by došlo k spáleniu čerpadla.
- Zariadenie uchovávajte pri teplote nad 0° C – inak by zamrzla voda v zariadení a došlo by k jeho poškodeniu.
- Zariadenie nikdy nepoužívajte bez podnosu na odkvapkávanie a úložného roštu na šálky.

pred zapojením do siete

- Overte, či má vaša elektrická sieť rovnaké parametre, aké sú uvedené na spodnej strane zariadenia.
- Toto zariadenie vyhovuje európskej smernici 2004/108/EC o elektromagnetickej znášateľnosti a predpisu č. 1935/2004 zo dňa 27/10/2004 o materiáloch, ktoré sú vhodné na kontakt s potravinami.

spoznajte svoj kávovar espresso Kenwood

- ① vyberateľná nádržka na vodu
- ② veko
- ③ držadlo dýzy na paru
- ④ rúrka na paru
- ⑤ dýza na paru
- ⑥ vývod kávy
- ⑦ gombík na reguláciu pary
- ⑧ malý filter na prípravu kávy z dávky do 1 šálky alebo z kávového vrecka
- ⑨ plôška
- ⑩ veľký filter len na prípravu kávy z dávky do 2 šálok
- ⑪ tlačidlo kávy
- ⑫ indikátor ukončenia prípravy kávy
- ⑬ tlačidlo zapnutia/vypnutia
- ⑭ indikátor ukončenia prípravy pary
- ⑮ tlačidlo pary
- ⑯ podnos na odkvapkávanie
- ⑰ plavák
- ⑱ úložný rošt na šálky
- ⑲ odmerná lyžica/ubijač kávy
- ⑳ držiak filtra
- ㉑ páčka na vyprázdnenie filtra
- ㉒ plocha na uloženie šálok

pred uvarením prvej kávy

- 1 Uistite sa, že je gombík na reguláciu pary zatvorený otočením v smere pohybu hodinových ručičiek (nepriťahujte ho nadmernou silou).
- 2 Nadvihnite veko, vyberte nádržku a naplňte ju studenou vodou. Nikdy ju nenapĺňajte nad vyznačenú úroveň „MAX“. Prípadne nadvihnite veko a nádržku naplňte bez vyberania.
 - Odporúčame použitie filtrovanej vody, keďže sa tým získa lepšia káva a znižuje sa miera usadzovania vodného kameňa. Nikdy nepoužívajte vodu sytenú oxidom uhličitým.
- 3 Nádržku vráťte na miesto. Uistite sa, že je umiestnená správne a podľa potreby na ňu jemne zatlačte tak, aby sa ventil na spodnej strane nádržky napojil na spodnú časť zariadenia.**Dôležité upozornenie**
Nikdy nepoužívajte zariadenie bez vody v nádržke. Vodu doplňte ihneď potom, ako hladina klesne pod požadovanú úroveň.
- 4 Zatvorte veko.
- 5 Chyťte držadlo, otočte nabok dýzu na paru a vložte pod ňu kanvicu.
- 6 Pripevnite držiak filtra k zariadeniu tým, že ho umiestnite pod vývod kávy a otočíte doprava ①. Pod filter umiestnite nádobu vhodnej veľkosti.
- 7 Zariadenie pripojte k sieťovému napájaniu a potom stlačte tlačidlo zapnutia/vypnutia, ktoré sa rozsvieti oranžovou farbou. Zároveň začne blikať indikátor ukončenia prípravy kávy zelenou farbou. Počkajte, kým zelený indikátor neprestane blikať.
- 8 Otvorte gombík na reguláciu pary otočením v smere proti pohybu hodinových ručičiek a stlačte tlačidlo kávy a nechajte vytečť jednu šálku vody z dýzy na paru. Zatvorte gombík na reguláciu pary a nechajte vytečť jednu šálku vody z vývodu kávy do nádoby.
- 9 Stlačením tlačidla kávy zastavte tok vody a potom stlačením tlačidla zapnutia/vypnutia vypnite zariadenie.
- 10 Zopakujte tieto kroky, ak sa kávovar niekoľko dní nepoužíval.

nahriatie kávovaru

Aby sa zaistilo dávkovanie kávy espresso pri správnej teplote, kávovar musí byť nahriaty.

- 1 Skontrolujte, či je gombík na reguláciu pary pevne zatvorený (otočte ho v smere pohybu hodinových ručičiek) a či je dostatok vody na zohriatie 1 alebo 2 šálok, podľa potreby.
- 2 Vložte požadovaný filter do držiaka filtra (bez kávy a tak, aby plôška na filtri zapadla do štrbiny na držiaku filtra). 6 Držiak filtra pripevnite k zariadeniu tým, že ho umiestnite pod vývod kávy a otočíte doprava ①. Uistite sa, že je pevne na mieste.
- 3 Pod držiak filtra umiestnite šálku. Použitím rovnakej šálky, v ktorej sa bude podávať káva sa zaistí, že šálka bude zohriata.
- 4 Stlačte tlačidlo zapnutia/vypnutia, ktoré sa rozsvieti oranžovou farbou. Zároveň začne blikať indikátor ukončenia prípravy kávy zelenou farbou. Počkajte, kým zelený indikátor neprestane blikať.
- 5 Stlačte tlačidlo kávy, ktoré sa rozsvieti oranžovou farbou a do šálky sa napustí horúca voda. Keď začne zelený indikátor ukončenia prípravy kávy blikať znovu, stlačením tlačidla kávy zastavte tok vody.
- 6 Vyberte držiak filtra a pokračujte prípravou kávy z mletej kávy alebo kávových vreciek.

príprava kávy espresso z mletej kávy

- 1 Nahrejte zariadenie podľa popisu na strane 72.
- 2 Skontrolujte, či sa v nádržke nachádza voda.
- 3 Zvoľte požadovaný filter.
 - Použite menší filter na prípravu jednej šálky kávy (alebo z kávových vreciek) alebo väčší filter na prípravu 2 šálok.
- 4 Kávu dávajte pomocou odmernej lyžice v množstve jednej značky na jednu šálku, povrch dávky vyrovnajte a potom jemne potlačte pomocou ubijača kávy. Utrite rozsypanú kávu z okraja filtra.
 - Keď kupujete mletú kávu, uistite sa, že je vhodná pre kávovary espresso.
 - Kávu nikdy nestláčajte príliš, pretože dôjde k zablokovaniu filtra a káva bude tiecť pomaly, pričom pena bude tmavá. Ak sa však káva stlačí príliš jemne, bude tiecť príliš rýchlo a pena bude svetlá, pričom káva bude mať vodnatú chuť.
- 5 Založte držiak filtra. Uistite sa, že plôška na filtri zapadla do štrbiny na držiaku filtra.
- 6 Založte držiak filtra do vývodu kávy. Otočte ho doprava tak, aby sa zaistil v požadovanej polohe ①.

- Pod filter položte jednu alebo dve šálky ②. Ak pripravujete jednu šálku kávy, šálku umiestnite do stredu.
- 7 Stlačte tlačidlo zapnutia/vypnutia a počkajte, kým neprestane blikať zelený indikátor ukončenia prípravy kávy a potom stlačte tlačidlo kávy.
- 8 Keď máte dostatočné množstvo kávy – nie príliš veľa, inak bude príliš slabá, stlačte tlačidlo kávy. Ak už nepripravujete ďalšiu kávu, stlačením tlačidla zapnutia/vypnutia vypnite zariadenie. V tabuľke nižšie je uvedený návod na to, ako dlho je potrebné podržať stlačené tlačidlo kávy na získanie rôznych objemov kávy.

množstvo	veľkosť filtra	približný čas na napustenie
1 Espresso (40 ml)	1 šálka	12 s
2 x Espresso (po 40 ml)	2 šálky	25 s
1 veľká káva (125 ml)	1 šálka	32 s
2 veľké kávy (po 125 ml)	2 šálky	65 s

- 9 Počkajte 30 sekúnd a potom vyberte držiak filtra jeho otočením doľava.
- Na filtri sa bude nachádzať voda po jeho vybratí: je to normálny jav
- 10 Ak chcete odstrániť použitú kávu z držiaka filtra, otočte páčku na rukoväti tak, aby sa jej koniec dostal nad filter ③. Podržte páčku v tejto polohe a potom otočte držiak s filtrom hore nohami a zvyšky vyklepte ④.

Dôležité upozornenie

Nikdy nevyberajte držiak filtra, pokiaľ je zvolená funkcia kávy alebo pary – hrozí vyfúknutie pary a popálenie.

príprava kávy z kávových vreciek

Dôležité upozornenie

Ak sa použije filter na prípravu jednej šálky po použití mletej kávy, je nevyhnutné, aby sa odstránila akákoľvek mletá káva z okolia vývodu kávy. Je to nevyhnutné kvôli zabráneniu úniku vody z držiaka filtra a na zaistenie optimálnej činnosti. Dávajte pozor, pretože dané miesto môže byť horúce.

- Nahrejte zariadenie podľa popisu na strane 72, pričom založte malý filter do držiaka filtra.
 - Po nahriatí vyberte držiak filtra a umiestnite kávové vrecko do filtra tak, aby bolo správne orientované ⑤.
 - Stlačte vrecko smerom k dolnej časti filtra, pričom papierové výstupky musia zapadnúť do vnútornej časti filtra.
 - Vrecko musí byť pevne vložené do stredu filtra.
 - Držiak filtra založte do vývodu kávy a otočte ho doprava tak, aby zapadol na miesto ①.
 - Postupujte podľa návodu uvedeného v časti „príprava kávy espresso“.
- Poznámka – používajte vrecká, ktoré vyhovujú norme ESE.
- Vždy dodržiavajte návod uvedený na obale vreciek v súvislosti s ich správnym umiestnením vo filtri.



penenie mlieka na cappuccino

Espresso pripravte podľa vyššie uvedeného postupu

tip – ak chcete pripraviť viac ako jedno cappuccino, najprv si pripravte všetky kávy a potom na koniec si pripravte spenené mlieko pre všetky cappuccina.

- Uistite sa, že sa v nádržke nachádza voda.
- Uistite sa, že je gombík na reguláciu pary zatvorený.
- Stlačte tlačidlo zapnutia/vypnutia, ktoré sa rozsvieti oranžovou farbou.
- Stlačte tlačidlo pary a červený indikátor pary začne blikať.
- Počkajte, kým červený indikátor nezačne svietiť nepretržite, čím bude naznačovať, že zariadenie dosiahlo správnu teplotu.
- Čiastočne naplňte kanvicu mliekom – objem mlieka sa môže zväčšiť až trojnásobne, preto zvoľte kanvicu s vhodnou veľkosťou. Orientačne použite 40-60 ml mlieka na jedno cappuccino.
- Najlepšie výsledky sa dosiahnu so studeným polotučným mliekom.
- V jednej ruke držte kanvicu a dýzu umiestnite do mlieka, pričom sa uistite, že sa mlieko nedostane nad spojovací bod v dýze.
- Otvorte gombík na reguláciu pary jeho otočením proti smeru pohybu hodinových ručičiek. The Objem mlieka sa začne zväčšovať a mlieko sa spení ⑥. Nastavte výšku kanvice tak, aby špička dýzy zostávala pod povrchom mlieka. Po 20-25 sekundách sa mlieko naparí a spení.
- Paru zastavte otočením gombíka na reguláciu pary v smere pohybu hodinových ručičiek.
- Nikdy nedovoľte, aby sa mlieko dostalo do varu, pretože by sa tým pokazila chuť kávy.
- Stlačte tlačidlo pary.

- Nalejte spenené mlieko do šálok s kávou espresso. Pri káve typu latte zadržte penu a pridajte len naparené mlieko.

Dôležité upozornenie – Nikdy nepoužívajte dýzu na paru dlhšie ako 2 minúty pri jednej príprave a dýzu vždy po použití vyčistite.

- Vypnite zariadenie stlačením tlačidla zapnutia/vypnutia.

príprava kávy espresso po spenení mlieka

Dôležité upozornenie

Nikdy nevyberajte držiak filtra z krytu ihneď po použití funkcie pary.

Ak pripravujete espresso po spenení mlieka, musíte sa zbaviť akejkoľvek prehriatej vody, ktorá by spálila kávu. Správny postup:-

- Vypnite tlačidlo pary.
- Uistite sa, že sa v nádržke nachádza voda a pod dýzu na paru umiestnite kanvicu.
- Otvorte gombík na reguláciu pary otočením proti smeru pohybu hodinových ručičiek a potom stlačte tlačidlo kávy (z dýzy na paru vyjde voda/para). Počkajte, kým zelený indikátor nezačne blikať, potom zatvorte gombík na reguláciu pary a vypnite tlačidlo kávy
- Počkajte ešte chvíľu, kým nezačne zelený indikátor svietiť nepretržite zelenou farbou. Keď to nastane, zariadenie je pripravené na výrobu kávy.

čistenie

dýza na paru

Pred čistením dýzy na paru nechajte určité množstvo horúcej vody vytečť z dýzy, ktorá pomôže pri procese čistenia. Malo by sa to vykonať ihneď po vypustení pary. Správny postup:-

- Uistite sa, že sa v nádržke nachádza voda a že pod dýzou na paru je kanvica.
- Vypnite tlačidlo pary.
- Otvorte gombík na reguláciu pary jeho otočením proti smeru pohybu hodinových ručičiek.
- Stlačte tlačidlo kávy a podržte ho stlačené približne 10 sekúnd, aby mohla horúca voda prechádzať cez dýzu.
- Vypnite tlačidlo kávy a potom zatvorte gombík na reguláciu pary otočením v smere pohybu hodinových ručičiek.
- Vypnite zariadenie stlačením tlačidla zapnutia/vypnutia.

- Pred ďalším čistením odpojte zariadenie od sieťovej zásuvky a nechajte všetko vychladnúť.
- Prístroj nikdy neponárajte do vody.
- Jednotlivé diely neumývajte v umývačke riadu.

dýza na paru

- Odskrutkujte dýzu otočením v smere pohybu hodinových ručičiek a potom ju dôkladne umyte. Skontrolujte, či nie sú upchaté 3 vyznačené otvory ⑧. Ak je to potrebné, vyčistite ich pomocou špendlíka.
- Vyčistite rúrku na paru. Zabezpečte, aby jej koniec nebol upchatý.
- Priskrutkujte dýzu späť na tlakovú rúrku.

nádržka, veko, držiak filtra

- Umyte, opláchnite a nechajte vyschnúť.


filter (verzia pre jednu a pre dve šálky)

- Po každom použití umyte a vysušte.
- Približne po každých 100 použitíach rozoberte a vyčistite dôkladnejšie podľa nižšie uvedeného popisu.
- Odmontujte uzáver umiestnený na spodnej strane filtra otáčaním vo vyznačenom smere ⑦. Zariadenie na výrobu peny odmontujte vytlačením zospodu ⑨. Jednotlivé diely zariadenia na výrobu peny oddel'te potiahnutím tesnenia do strany ⑨ a vytráťte plastového kolieska a kovového filtra ⑩. Jednotlivé časti dôkladne opláchnite. Kovový filter vyčistite v horúcej vode pomocou kefy ⑪. Zabezpečte, aby otvory v kovovom filtri neboli upchaté. Ak je to potrebné, otvory vyčistite špendlíkom ⑫. Jednotlivé diely vysušte a potom ich znovu zložte správnym spôsobom.

úložný rošt na šálky, podnos na odkvapkávanie

- Podnos na odkvapkávanie pravidelne vyprázdňujte. To, že je plný, poznáte podľa červeného plávaka v strede podnosu na odkvapkávanie, ktorý vystúpi a stane sa viditeľným v otvore na úložnom rošte na šálky.
- Umyte a potom vysušte.

vývod kávy

- Po každom použití skontrolujte, či je táto oblasť čistá a bez akýchkoľvek zvyškov mletej kávy. Utrite do čista a ak je to potrebné, na základe nasledujúceho postupu vyčistíte túto časť dôkladnejšie. Ak sa táto časť nebude udržiavať v čistote, bude to mať vplyv na kvalitu kávy a môže dôjsť aj k poškodeniu zariadenia.
- Pomocou skrutkovača  odskrutkujte vyznačenú skrutku, ktorá pridržiava vývod kávy na mieste (nevyberajte vnútorný kryt).
 - Vyčistite túto oblasť pomocou navlhčenej handričky.
 - Odmontovaný vývod dôkladne vyčistíte v horúcej mydlovej vode pomocou kefy. Dôkladne opláchnite. Zabezpečte, aby jednotlivé otvory neboli upchaté a ak je to potrebné, vyčistite ich pomocou špendlíka.
 - Vývod namontujte v opačnom poradí vyššie uvedeného postupu. Ak sa nebudú čistiť filtre a vývod kávy podľa uvedeného popisu, povedie to k zrušeniu platnosti záruky.

odstraňovanie vodného kameňa

Usadený vodný kameň v kávovare odporúčame odstrániť po príprave každých 200 šálok kávy.

- Odporúčame zakúpenie výrobku výslovne určeného pre odstránenie vodného kameňa v kávovaroch espresso. Použite množstvá odporúčané pri samotnom prostriedku na odstraňovanie vodného kameňa, ale neprekračujte objem 1-litrovej nádržky.
- Zabezpečte, aby držiak filtra nebol pripevnený a pod vývod kávy umiestnite misku a pod dýzu na paru umiestnite kanvicu.
- Stlačte tlačidlo zapnutia/vypnutia a potom stlačte tlačidlo kávy a napokon otvorte gombík na reguláciu pary otočením proti smeru pohybu hodinových ručičiek. Nechajte vytiecť 1 šálku vody z dýzy na paru. Zatvorte gombík na reguláciu pary a nechajte vytiecť 1 šálku vody z vývodu na kávu. Nečakajte, kým prestane blikať zelený indikátor.
- Vypnite a odpojte kávovar od sieťovej zásuvky a nechajte zariadenie postáť 15 minút.
- Zopakujte krok 3 a nechajte všetok prostriedok na odstraňovanie vodného kameňa vytiecť zo zariadenia. Zariadenie vypnite.
- Dôkladne opláchnite nádržku a naplňte ju pitnou vodou.
- Podľa kroku 3 nechajte vodu, aby prepláchla dýzu na horúcu vodu a tiež vývod tekutej kávy. Nádržku znovu naplňte pitnou vodou a postup zopakujte. Týmto sa odstráni všetky zvyšky prostriedku na odstraňovanie vodného kameňa.

Na opravy spôsobené poruchou kvôli usadeniu vodného kameňa vo výrobku sa záruka nebude vzťahovať, ak sa odstraňovanie vodného kameňa nebude vykonávať pravidelne.

servis a starostlivosť o zákazníkov

- Keď sa poškodí prírodná elektrická šnúra, musí ju z bezpečnostných príčin vymeniť alebo opraviť firma KENWOOD alebo pracovníci oprávnení firmou KENWOOD.

Pokiaľ potrebujete pomoc pri nasledovných problémoch:

- používanie vášho zariadenia
 - servis alebo opravy
- Kontaktujte obchod, v ktorom ste si zariadenie zakúpili.
- Navrhnuté a vyvinuté spoločnosťou Kenwood v Spojenom kráľovstve.
 - Vyrobené v Číne.




DÔLEŽITÁ INFORMÁCIA NA SPRÁVNU LIKVIDÁCIU PRODUKTU PODĽA EURÓPSKEJ SMERNICE 2002/96/EC.

Po skončení životnosti produktu sa tento produkt nesmie jednoducho vyhodiť spolu s domovým odpadom.

Musí sa odovzdať na príslušné zberné miesto na roztriedenie odpadu, alebo dilerovi, ktorý sa postará o takúto likvidáciu.

Separátnou likvidáciou domácich spotrebičov sa vyhneme negatívnym účinkom odpadu na životné prostredie a ohrozeniu zdravia vzniknutého nevhodnou likvidáciou. Umožní sa tak aj recyklácia základných materiálov, čím sa dosiahne značná úspora energií a prírodných zdrojov. Na pripomenutie nutnosti separátnej likvidácie domácich spotrebičov je produkt označený preškrtnutým kontajnerom na zber domáceho odpadu.

riešenie problémov

problém	možná príčina	riešenie
Káva espresso nevychádza zo zariadenia.	<ul style="list-style-type: none"> • Káva je navlhnutá a/alebo je príliš natlačená vo filtrí. • Otvory vo vývodoch držiaka filtra sú upchaté. • Vývod kávy je upchatý. • Nádržka nie je založená správne a preto nie je ventil v spodnej časti otvorený. • Otvory v zariadení na výrobu peny sú upchaté. 	<ul style="list-style-type: none"> • Skontrolujte, či používate mletú kávu vhodnú pre kávovary espresso. Kávu natlačte do filtra jemnejšie a ak je to potrebné, použite kávu mletú iným spôsobom. • Vyčistite otvory vo vývodoch • Čistenie vykonajte podľa postupu uvedeného v časti týkajúcej sa čistenia. • Jemne potlačte nádržku tak, aby sa otvoril ventil v spodnej časti • Odmontujte zariadenie na výrobu peny  a dôkladne vyčistite jednotlivé časti. Pozrite si časť týkajúcu sa čistenia (filtra).
Káva espresso kvapká z okrajov držiaka filtra namiesto z otvorov.	<ul style="list-style-type: none"> • Držiak filtra je pripravený k zariadeniu nesprávnym spôsobom. • Tesnenie bojlera na espresso stratilo svoju pružnosť. • Otvory vo vývodoch držiaka filtra sú upchaté. • Do filtra na kávu sa umiestnilo príliš veľa kávy. 	<ul style="list-style-type: none"> • Znovu založte držiak filtra a uistite sa, že je umiestnený správne a otočený doprava. • Nechajte vymeniť tesnenie. Obráťte sa na oddelenie servisu a starostlivosti o zákazníkov. • Vyčistite otvory vo vývodoch. • Zmenšite množstvo kávy.
Káva espresso je studená	<ul style="list-style-type: none"> • Nevykonalo sa nahriatie zariadenia. • Zelený indikátor ukončenej prípravy kávy nesvietil, keď bolo stlačené tlačidlo kávy. 	<ul style="list-style-type: none"> • Postupujte podľa pokynov týkajúcich sa zahrievania kávovaru. • Počkajte, kým zelený indikátor kávy neprestane blikať a až potom stlačte tlačidlo kávy.
Čerpadlo je príliš hlučné.	<ul style="list-style-type: none"> • Nádržka na vodu je prázdna. • Nádržka nie je založená správne a preto nie je ventil v spodnej časti otvorený. 	<ul style="list-style-type: none"> • Nádržku naplňte vodou. • Jemne potlačte nádržku tak, aby sa otvoril ventil v spodnej časti.
Farba peny na káve je svetlá a káva vyteká príliš rýchlo.	<ul style="list-style-type: none"> • Mletá káva nebola dostatočne stlačená. • Použila sa príliš nahrubo namletá káva. • Použili sa príliš veľké dávky kávy. • Použitá káva je nevhodná. 	<ul style="list-style-type: none"> • Stlačte kávu silnejšie. • Zvýšte množstvo kávy vo filtrí. • Znížte množstvo kávy dávkovanej do šálok. • Zmeňte druh používanej kávy.
Farba peny na káve je tmavá a káva vyteká príliš pomaly.	<ul style="list-style-type: none"> • Mletá káva bola príliš stlačená. • Vývod kávy je upchatý. • Použilo sa príliš veľa kávy. • Káva je zomletá príliš jemne. • Použitá káva je nevhodná. 	<ul style="list-style-type: none"> • Kávu stlačte menej. • Čistenie vykonajte podľa postupu uvedeného v časti týkajúcej sa čistenia. • Zmenšite množstvo. • Zmeňte značku kávy a zakúpte kávu vhodnú pre kávovary espresso. • Zmeňte značku kávy a zakúpte kávu vhodnú pre kávovary espresso.
Káva má kyslú chuť.	<ul style="list-style-type: none"> • Zariadenie nebolo po odstránení vodného kameňa dôkladne vypláchnuté. 	<ul style="list-style-type: none"> • Zariadenie prepláchnite v rámci niekoľkonásobnej výmeny čistej vody a opláchnite aj všetky komponenty. Pozrite si časť týkajúcu sa čistenia.
Pri príprave cappuccina nedochádza k speneniu mlieka	<ul style="list-style-type: none"> • Mlieko nie je dostatočne vychladené. • Zariadenie na výrobu cappuccina je znečistené. 	<ul style="list-style-type: none"> • Vždy používajte mlieko z chladničky. • Skúste použiť mlieko s iným obsahom tuku. • Vyčistite rúrku na vývod pary, ako aj dýzu. Pozrite si časť týkajúcu sa čistenia.

Українська

Будь ласка, розгорніть першу сторінку з малюнками

перед першим використанням

- 1 Уважно прочитайте інструкцію та збережіть її для подальшого використання.
- 2 Зніміть упаковку та всі етикетки.
- 3 Промийте всі компоненти: дивись розділ «Догляд та чищення».
- 4 Промийте машину чистою водою: дивіться розділ «перед першим приготуванням кави».

заходи безпеки

- Не знімайте тримач фільтра під час приготування кави чи вироблення пари, існує можливість викиду пари, що може спричинити опік.
- Дотримуйтесь заходів безпеки, щоб уникнути опіків:
 - торкаючись гарячих деталей, а саме сопла для виходу пари, тримача фільтра та отвору виходу кави.
 - парою, що надходить з сопла або кавою, яка виливається з отвору для виходу кави.
- Не дозволяйте дітям наближатися до увімкненої машини. І не допускайте звисання шнура у місцях, де до нього може дотягнутися дитина.
- Не використовуйте пошкоджений прилад. Перевірка або ремонт здійснюються у спеціальних центрах: дивись розділ «Сервісне обслуговування».
- Щоб уникнути враження електричним струмом, не опускайте машину у воду та не допускайте попадання вологи на шнур або вилку.
- Відключіть прилад від мережі електропостачання:
 - перед тим, як наливати воду
 - перед чищенням
 - після використання.
- Не залишайте прилад, що працює без нагляду.
- Слідкуйте за тим, щоб шнур не торкався гарячої поверхні.
- Не рекомендується користатися цим приладом особам (враховуючи дітей) із обмеженими фізичними або ментальними можливостями, або тим, хто має недостатню досвід у експлуатації цього приладу. Вищеназваним особам дозволяється користуватися приладом тільки після проходження інструктажу та під наглядом досвідченої людини, яка несе відповідальність за їх безпеку.
- Не залишайте дітей без нагляду і не дозволяйте їм гратися із приладом.
- Цей прилад призначений виключно для використання у побуті. Компанія Kenwood не несе відповідальності за невідповідне використання приладу або порушення правил експлуатації, викладених у цій інструкції.

увага

- Не вмикайте кавоварку без води – це може призвести до перегорання електродвигуна помпи.
- Зберігайте прилад при температурі вищій за 0°C, бо інакше вода у кавоварці замерзне, що може спричинити її пошкодження.
- Не використовуйте кавоварку без встановленої водозбірної таці та підставки для чашки.

перед підключенням до мережі електропостачання

- Переконайтеся, що напруга електромережі у вашому домі відповідає показникам, вказаним на зворотній частині приладу.
- Цей прилад відповідає вимогам директиви ЄС 2004/108/ЄС «Електромагнітна сумісність» та положення ЄС № 1935/2004 від 27/10/2004 стосовно матеріалів, що безпосередньо пов'язані з їжею.

Знайомство з кавоваркою еспресо Kenwood

- ① знімна ємність для води
- ② кришка
- ③ ручка сопла для виходу пари
- ④ трубка для випуску пари
- ⑤ сопло для випуску пари
- ⑥ вихідний отвір для кави
- ⑦ кругла ручка випуску пари, що регулюється
- ⑧ невеликий фільтр для приготування 1 філіжанки кави або пакетика кави
- ⑨ уступ
- ⑩ великий фільтр для приготування тільки 2 філіжанок кави
- ⑪ кнопка «кава»
- ⑫ світловий індикатор готовності кави
- ⑬ кнопка on/off (увімкнути/вимкнути)
- ⑭ світловий індикатор готовності пари
- ⑮ кнопка «пара»
- ⑯ водозбірна таця
- ⑰ поплавок
- ⑱ підставка для чашки
- ⑲ мірча ложка/темпер для трамбування кави
- ⑳ тримач фільтра
- ㉑ важіль спорожнення фільтра
- ㉒ підставка для зберігання чашок

перед першим приготуванням кави

- 1 Переконайтеся, що кругла ручка випуску пари знаходиться у положенні «зачинено», тобто повернута до упору за годинниковою стрілкою (не затягуйте ручку дуже сильно).
- 2 Підніміть кришку, після цього вийміть ємність та налейте в неї холодну воду. Не перевищуйте позначку «MAX» (максимальний рівень). Або відкрийте кришку та налейте воду прямо до ємності, не знімаючи її.
- Рекомендується використовувати фільтровану воду, оскільки вона покращує смак кави та зменшує утворення накипу. Не використовуйте газовану воду або будь-яку іншу рідину.
- 3 Встановіть ємність на місце. Переконайтеся, що ємність було встановлено правильно і легенько натисніть на неї для того, щоб клапан, розташований на дні ємності співпав з отвором на приладі.
- Увага**
Не вмикайте прилад з порожньою ємністю для води. Доливайте воду, як тільки рівень понизиться.
- 4 Закрийте кришку.
- 5 Утримуючи ручку, виверніть назовні сопло для випуску пари та поставте під нього келих/чашку.
- 6 Установіть тримач фільтра на кавоварку. Для цього встановіть його під вихідним отвором для кави та поверніть праворуч ❶. Поставте під нього чашку відповідного розміру.
- 7 Підключіть прилад до мережі електропостачання та натисніть кнопку on/off (увімкнути/вимкнути), вона спалахне помаранчевим кольором. У той же час світловий індикатор готовності кави мигтатиме зеленим. Дочекайтеся, доки зелений індикатор не припинить мигтати.
- 8 Відкрийте круглу ручку випуску пари, повертаючи її проти годинникової стрілки, а після цього натисніть кнопку «кава» та зачекайте, доки одна чашка води не виллється з сопла для випуску пари. Закрийте круглу ручку випуску пари та зачекайте, доки одна чашка води не виллється з вихідного отвору для кави до чашки.
- 9 Натисніть кнопку «кава», щоб зупинити промивання, а потім натисніть кнопку on/off (увімкнути/вимкнути), щоб вимкнути прилад.
- 10 Повторіть вище вказані кроки, якщо ви не використовували кавоварку протягом декількох днів.

Попереднє підігрівання кавоварки

Щоби кави еспресо готувалася при відповідній температурі, необхідно попередньо підігріти кавоварку.

- 1 Переконайтеся, що кругла ручка випуску пари знаходиться у положенні «зачинено» (для цього поверніть її за годинниковою стрілкою), а у ємності – достатня кількість води для підігрівання 1 чи 2 чашок згідно з інструкцією.

- Установіть потрібний фільтр всередину тримача фільтра (не додавайте каву, і переконайтеся, що уступ на фільтрі співпадає з отвором на тримачі фільтра). Установіть тримач фільтра на кавоварку. Для цього встановіть його під вихідним отвором для кави та поверніть праворуч ❶. Перевірте, чи його міцно зафіксовано.
- Поставте чашку під тримач фільтра. Якщо ви візьмете саме ту чашку, яку будете використовувати для приготування кави, то будете переконані, що вона добре підігріється.
- Натисніть кнопку on/off (увімкнути/вимкнути), вона спалахне помаранчевим. У той же час світловий індикатор готовності кави мигтіниме зеленим. Дочекайтеся, доки зелений індикатор не припинить мигтіння.
- Натисніть кнопку «кава», вона спалахне помаранчевим і з вихідного отвору до чашки поллється гаряча вода. Коли світловий індикатор готовності кави почне знову мигтіння, натисніть кнопку «кава», щоби зупинити роботу.
- Вийміть тримач фільтра. Тепер ви можете готувати каву, використовуючи мелену каву або пакетики з кавою.

Як готувати еспресо з меленої кави

- Підігрійте прилад, як це зазначено на сторінці 76.
- Переконайтеся, що у ємності достатня кількість води.
- Оберіть потрібний фільтр.
 - Використовуйте невеликий фільтр для приготування однієї філіжанки кави (або якщо ви використовуєте пакетики з кавою), і великий фільтр – для двох філіжанок.
- Додайте каву за допомогою мірчої ложки. Одна мірча ложка на одну чашку. Розрівняйте поверхню, а потім, використовуючи темпер, легенько придавіть. Зніміть залишки кави з обідка.
 - Купуючи мелену каву, переконайтеся, що вона підходить до кавоварок еспресо.
 - Не трамбуйте каву дуже сильно, адже це може заблокувати фільтр і кава буде відходити дуже повільно, а піна матиме темний колір. Але якщо не дуже сильно утрамбовувати, кава буде відходити дуже швидко і матиме водяну структуру, а піна матиме світлий колір.
- Установіть тримач фільтра. Переконайтеся, що уступ на фільтрі співпадає з отвором на тримачі фільтра.
- Установіть тримач фільтра на вихідний отвір для кави. Поверніть праворуч, щоби зафіксувати на місці ❶.
- Поставте одну або дві чашки ❷. Якщо ви готуєте одну чашку, поставте її у центрі.
- Натисніть кнопку on/off (увімкнути/вимкнути) та зачекайте, доки зелений світловий індикатор готовності кави не припинить мигтіння, а після цього натисніть кнопку «кава».
- Коли у чашці буде достатньо кави, але не забагато, бо інакше вона матиме водяну структуру, натисніть кнопку «кава». Якщо ви не збираєтеся готувати ще каву, натисніть кнопку on/off (увімкнути/вимкнути), щоби вимкнути прилад. У таблиці, яку наведено нижче, зазначено час приготування кави різних об'ємів.

Кількість	Розмір фільтра	Приблизний час приготування
1 еспресо (40 мл)	1 чашка	12 сек
2 еспресо (40 мл кожна)	2 чашки	25 сек
1 велика чашка (125 мл)	1 чашка	32 сек
2 великі чашки (125 мл кожна)	2 чашки	65 сек

- Зачекайте 30 секунд, а після цього поверніть тримач фільтра ліворуч та зніміть.
 - Коли ви виймаєте фільтр на ньому може залишатися вода: це – нормальне явище.
- Щоби видалити використану каву з тримача фільтра, перекиньте розташований на ручці важіль так, щоби кінець важеля опинився над фільтром ❸. Тримавши важіль у такому положенні, переверніть тримач фільтра догори ногами та постукайте, щоби видалити залишки меленої кави ❹.

Увага

Не знімайте тримач фільтра під час приготування кави чи вироблення пари, адже можливий викид пари, який може спричинити опік.

Як приготувати каву з пакетиків

Увага

Якщо фільтр на одну чашку використовується після приготування меленої кави, треба ретельно почистити вихідний отвір і зібрати усі залишки. Це необхідно для запобігання протіканню води з тримача фільтра та забезпечення оптимальної роботи кавоварки. Будьте обережні, оскільки ця частина кавоварки стає гарячою.

- Підігрійте кавоварку, як це зазначено на сторінці 76. Установіть невеликий фільтр всередину тримача фільтра.
- Після закінчення підігрівання зніміть тримач фільтра і покладіть пакетик з кавою на фільтр. Переконайтеся, що пакетик знаходиться у правильному положенні ❺.
- Просуньте пакетик до нижньої частини фільтра так, щоби паперові крильця прилипли до внутрішніх боків фільтра.
- Пакетик треба покласти саме по центру і добре зафіксувати всередині фільтра.
- Установіть тримач фільтра на вихідний отвір для кави та повертайте праворуч, доки він не зафіксується у потрібному положенні ❶.
- Виконайте дії, зазначені у розділі «Як приготувати еспресо».
 - Увага! Використовуйте тільки ті пакетики, які відповідають вимогам стандарту ESE.
 - Щоби правильно встановити пакетики всередині фільтра, завжди виконуйте інструкції, зазначені на упаковці з пакетиками кави.



«Як спінувати молоко для приготування капучіно»

Приготуйте еспресо, як зазначено вище

порада – для приготування двох або більше філіжанок капучіно, спочатку зваріть каву, і потім вже готуйте піну для всіх філіжанок капучіно, а не навпаки.

- Переконайтеся, що у ємності достатня кількість води.
- Переконайтеся, що кругла ручка випуску пари знаходиться у положенні «зачинено».
- Натисніть кнопку on/off (увімкнути/вимкнути), вона спалахне помаранчевим.
- Натисніть кнопку «пара». Спалахне червоний індикатор утворення пари.
- Зачекайте, доки червоний індикатор не припинить мигтіння, що означатиме, що прилад набрав необхідну температуру.
- Налийте у келих/чашку трохи молока. Під час обробки об'єм молока збільшується втричі, тому обирайте ємність відповідного розміру. Згідно з інструкцією використовуйте 40-60 мл молока на одну чашку капучіно.
 - Рекомендується використовувати холодне молоко зниженої жирності.
- Утримуючи келих однією рукою, опустіть сопло для виходу пари у молоко так, щоби молоко не піднімалося вище шва на соплі.
- Відкрийте круглу ручку випуску пари, повертаючи її проти годинникової стрілки. Молоко починає збільшуватися в об'ємі та з'являється піна ❻. Регулюйте положення келиху, адже носик сопла повинен знаходитися нижче рівня молока. За 20-25 секунд утвориться піна і молоко буде готово.
- Зупиніть утворення пари. Для цього поверніть круглу ручку для випуску пари за годинникову стрілку.
 - Не доводіть молоко до кипіння, адже це погіршує смак кави.
- Натисніть кнопку «пара».
- Налийте спінене молоко у філіжанку з кавою еспресо. Для приготування кави латте зніміть піну та додайте тільки збите паровою молоком.
 - Увага!** Не відкривайте сопло для випуску пари більш, ніж на дві хвилини (безперервно). Завжди чистіть сопло після використання.
- Щоби вимкнути прилад, натисніть кнопку on/off (увімкнути/вимкнути).

«як приготувати еспресо після спінювання молока»

Увага

Не виймайте тримач фільтра з його корпусу одразу після використання функції утворення пари.

Для приготування кави після функції спінювання молока треба злити перегріту воду, адже вона може спалити каву. Нижче зазначено, як це зробити:-

- 1 Вимкніть кнопку «пара».
- 2 Переконайтеся, що у ємність налита вода та поставте келих/чашку під сопло для випуску пари.
- 3 Відкрийте круглу ручку для випуску пари, повертаючи її проти годинникової стрілки, та натисніть кнопку «кава» (вода/пара почнуть надходити з сопла). Зачекайте, доки зелений індикатор не припинить мигтати, а після цього закрутіть круглу ручку для випуску пари та вимкніть кнопку «кава»
- 4 Зачекайте ще деякий час, щоб індикатор зовсім припинив мигтати і спалахнув зеленим. Тепер кавоварка готова для приготування кави.

ЧИЩЕННЯ

сопло для випуску пари

Перед чищенням сопла промийте його гарячою водою. Це сприятиме ретельному чищенню. Процедура чищення можна проводити одразу після використання функції утворення пари. Нижче зазначено, як це зробити:-

- 1 Переконайтеся, що у ємність налита вода та поставте келих/чашку під сопло для випуску пари.
 - 2 Вимкніть кнопку «пара».
 - 3 Відкрийте круглу ручку випуску пари, повертаючи її проти годинникової стрілки.
 - 4 Натисніть кнопку «кава» і зачекайте 10 секунд, доки гаряча вода не виллється з сопла.
 - 5 Вимкніть кнопку «кава», а після цього закрутіть круглу ручку випуску пари, повертаючи її за годинниковою стрілкою.
 - 6 Щоби вимкнути прилад, натисніть кнопку on/off (увімкнути/вимкнути).
- Перед проведенням подальшої процедури чищення, відключіть прилад від мережі електропостачання та залиште охолонути.
 - Не опускайте прилад у воду.
 - Не мийте деталі кавоварки у посудомийній машині.

сопло для випуску пари

- 1 Відкрутіть сопло, повертаючи його за годинниковою стрілкою, а потім добре промийте. Переконайтеся, що 3 отвори, розташованих на соплі, не були заблоковані ⑨. Якщо треба, прочистіть їх за допомогою шпильки.
- 2 Почистіть трубку для випуску пари. Переконайтеся, що кінець трубки чистий
- 3 Прикрутіть сопло на подавальну трубку.

ємність для води, тримач фільтра

- Промийте, сполосніть та просушіть.

фільтр (на одну-дві чашки)

- Мийте та сушіть після кожного використання.
- Після приблизно 100 разів розберіть та прочистіть ретельніше, як це зазначено нижче.
- Зніміть ковпачок, розташований на зворотній частині фільтра, повертаючи його у зазначеному напрямку ⑦. Вийміть пристрій для утворення піни. Для цього виштовхніть його догори ⑧. Розберіть пристрій для утворення піни. Для цього потягніть убік прокладку ⑨ та зніміть пластиковий диск і металевий фільтр ⑩. Ретельно сполосніть деталі під краном. Помийте металевий фільтр у гарячій воді за допомогою щітки ⑪. Переконайтеся, що отвори на металевому фільтрі не засмічені. Якщо треба, почистіть за допомогою шпильки ⑫. Просушіть деталі, після цього зберіть пристрій. переконайтеся, що усі деталі зібрані правильно.

підставка для чашки, водозбірна таця

- Регулярно випорожняйте водозбірну тацю. Коли таця наповнюється водою, розташований у центрі таці червоний поплавок піднімається і стає видимим крізь отвір на підставці для чашки.
- 1 Помийте, а потім просушіть.

Вихідний отвір для кави

- Після кожного використання перевіряйте, чи не засмічена поверхня отвору. Чистіть та видаляйте будь-які залишки меленої кави. Протирайте чистою ганчіркою, а якщо треба провести ретельніше чищення, виконайте процедуру, зазначену нижче. Забруднення отвору погіршує якість кави і може навіть пошкодити прилад.
- 1 За допомогою викрутки ⑬ відкрутіть гвинт, що утримує вихідний отвір (не знімайте внутрішню кришку).
 - 2 Протріть поверхню вологою ганчіркою.
 - 3 Ретельно помийте вихідний отвір у гарячій мильній воді за допомогою щітки. Ретельно сполосніть під краном. Переконайтеся, що отвори не засмічені, і, якщо треба, почистіть за допомогою шпильки.
 - 4 Установіть вихідний отвір на місце, виконуючи вище названі процедури у зворотному порядку.
- Невиконання зазначеної процедури чищення вихідного отвору і фільтрів призводить до скасування дії гарантії.

Видалення накипу

Рекомендується видаляти накип після приготування 200 чашок кави.

- 1 Рекомендується придбати спеціальний засіб для видалення накипу з кавоварок еспресо. Відмірюйте рекомендовану виробником засобів кількість і не перевищуйте максимальний вміст ємності 1 л.
- 2 Зніміть тримач фільтра, поставте чашу під вихідний отвір для кави і келих/чашку під сопло для випуску пари.
- 3 Натисніть кнопку on/off (увімкнути/вимкнути), після цього натисніть кнопку «кава» і відкрийте круглу ручку випуску пари, повертаючи її проти годинникової стрілки. Зачекайте, доки 1 чашка води не виллється з сопла для випуску пари. Закрийте круглу ручку випуску пари та зачекайте, доки одна чашка води не виллється з вихідного отвору для кави. Зелений індикатор мигтатиме – це нормально.
- 4 Вимкніть прилад, відключіть його від мережі електропостачання та залиште кавоварку на 15 хвилин.
- 5 Повторіть крок 3 і зачекайте, доки засіб для видалення накипу не виллється з кавоварки. Вимкніть прилад.
- 6 Ретельно сполосніть ємність і залийте чисту воду.
- 7 Повторіть крок 3. Зачекайте, доки гаряча вода не виллється з сопла для випуску пари та вихідного отвору для кави. Налийте чисту воду у ємність і знову повторіть вище зазначену процедуру. Таким чином ви видаляєте усі залишки засобу.

Усунення несправностей, що виникають внаслідок утворення накипу, не входять до умов дії гарантії, якщо видалення накипу проводиться нерегулярно.

Обслуговування та ремонт

- Пошкоджений шнур живлення із метою безпеки підлягає заміні на підприємствах фірми KENWOOD або в авторизованому сервісному центрі KENWOOD.

Якщо вам необхідна консультація з приводу:

- використання приладу або
 - обслуговування, придбання запасних деталей або ремонту Зверніться до магазину, в якому ви придбали цей прилад.
- Спроектовано та розроблено компанією Kenwood, Об'єднане Королівство.
 - Зроблено в Китаї.



ВАЖЛИВА ІНФОРМАЦІЯ СТОСОВНО НАЛЕЖНОЇ УТИЛІЗАЦІЇ ПРОДУКТУ ЗГІДНО ІЗ ДИРЕКТИВОЮ ЕС 2002/96/ЕС.

Після закінчення терміну експлуатації не викидайте цей прилад з іншими побутовими відходами.

Віднесіть прилад до місцевого спеціального авторизованого центру збирання відходів або до дилера, який може надати такі послуги.

Відокремлена утилізація побутових приладів дозволяє уникнути можливих негативних наслідків для навколишнього середовища та здоров'я людини, які виникають у разі неправильної утилізації, а також надає можливість переробити матеріали, з яких було виготовлено даний прилад, що, в свою чергу, зберігає енергію та інші важливі ресурси. Про необхідність відокремленої утилізації побутових приладів нагадує спеціальна позначка на продукті у вигляді перекресленого смітника на колесах.

Пошук та усунення несправностей

проблема	можлива причина	усунення
Кава еспресо не ллється з кавоварки.	<ul style="list-style-type: none"> Кава дуже волога та/або занадто утрамбована всередині фільтра. Засмічені отвори каналів у гнізді тримача фільтра. Засмічений вихідний отвір для кави. Ємність для води встановлено неправильно і клапан, розташований у нижній частині, зачинений. засмічені отвори пристрою для утворення піни. 	<ul style="list-style-type: none"> Переконайтеся, що ви використовуєте мелену каву, що підходить для кавоварки еспресо. Запресуйте каву не так сильно всередині фільтра, або у разі необхідності, використовуйте іншу марку меленої кави. Почистіть отвори каналів Почистіть, як зазначено у розділі «чищення». Натисніть легенько на ємність, щоби відкрити клапан у нижній частині Розберіть пристрій для утворення піни 9 і ретельно почистіть деталі. Дивіться розділ «Чищення (фільтр)».
Кава не ллється з отвору, а просочується крізь тримач фільтра.	<ul style="list-style-type: none"> Тримач фільтра неправильно встановлено на кавоварку. Прокладка кип'ятильника еспресо втратила еластичність. Засмічені отвори каналів у гнізді тримача фільтра. Занадто багато кави знаходиться у кавовому фільтрі. 	<ul style="list-style-type: none"> Ще раз установіть тримач фільтра. Переконайтеся, що тримач встановлено правильно і поверніть праворуч. Замініть прокладку. Дивіться розділ «Обслуговування та ремонт». Почистіть отвори каналів Вийміть частину кави.
Кава еспресо холодна	<ul style="list-style-type: none"> Не було виконано попереднє підігрівання приладу. Зелений індикатор готовності кави не миготів, коли була натиснута кнопка кава. 	<ul style="list-style-type: none"> Виконайте інструкції стосовно попереднього підігрівання кавоварки Зачекайте, доки зелений індикатор не припинить мигтати і тільки після цього натискайте кнопку кава.
Помпа працює дуже шумно.	<ul style="list-style-type: none"> Ємність для води порожня. Ємність для води встановлено неправильно і клапан, розташований у нижній частині, зачинений. 	<ul style="list-style-type: none"> Налийте у ємність воду. Натисніть легенько на ємність, щоби відкрити клапан у нижній частині
Кава дуже світлого кольору і дуже швидко наливається.	<ul style="list-style-type: none"> Мелена кава не достатньо запресована. Недостатня кількість меленої кави у фільтрі. Витрачається забагато кави. Кава, що використовується не підходить. 	<ul style="list-style-type: none"> Ретельніше запресуйте каву. Збільшіть кількість кави у фільтрі. Зменшіть об'єм кави, що виливається до чашки(чашок). Візьміть каву іншого сорту.
Кава дуже темного кольору і дуже повільно наливається.	<ul style="list-style-type: none"> Мелена кава запресована занадто сильно. Засмічений вихідний отвір для кави. Засипано забагато кави. Кава дуже дрібного помелу. Кава, що використовується не підходить. 	<ul style="list-style-type: none"> Зпресуйте каву не так сильно. Почистіть, як зазначено у розділі «чищення». Зменшіть кількість. Використовуйте каву, призначену саме для кавоварок еспресо. Використовуйте каву, призначену саме для кавоварок еспресо.
Кава має кислий присмак.	<ul style="list-style-type: none"> Прилад не було ретельно помито після проведення видалення накипу. 	<ul style="list-style-type: none"> Промийте кавоварку чистою водою декілька разів, сполосніть усі деталі. Дивіться розділ "чищення".
Під час приготування капучіно молоко не піниється	<ul style="list-style-type: none"> Молоко не достатньо холодне. Засмічений канал для приготування капучіно. 	<ul style="list-style-type: none"> Завжди використовуйте молоко з холодильника. Спробуйте використовувати молоко різної жирності. Почистіть трубку подання пари і сопло для випуску пари. Дивіться розділ «Догляд та чищення».

دليل استكشاف المشكلات وإصلاحها

المشكلة	السبب المحتمل	الحل
القهوة الإسبريسو لا تخرج من الجهاز	<ul style="list-style-type: none"> القهوة مضغوطة و/أو مدكوكة بشكل مفرط في المرشح. الفتحات الموجودة في حامل المرشح مسدودة. مخرج القهوة مسدود. الخزان غير مركب بشكل صحيح والصمام الموجود في القاع غير مفتوح. الفتحات الموجودة في جهاز الكريمة مسدودة. 	<ul style="list-style-type: none"> تأكد من استخدام حبوب قهوة مناسبة لتحضير قهوة الإسبريسو. اضغط على القهوة بشكل لطيف في المرشح وغيّر الحبوب المطحونة حسب الضرورة. نظف الفتحات الموجودة في منطقة التدفق. نظف من خلال اتباع الإرشادات الواردة في قسم التنظيف. اضغط على الخزان برفق لفتح الصمام الموجود في القاع. أزلي الترسبيات الجيرية عن جهاز الكريمة ❸ ونظف الأجزاء بشكل جيد. راجع قسم تنظيف (المرشح).
هناك تنقيط لقهوة الإسبريسو من جوانب حامل المرشح بدلاً من الفتحات	<ul style="list-style-type: none"> حامل المرشح مركب بشكل غير صحيح في الجهاز. حاشية التثبيت الموجودة في غلاية الإسبريسو فقدت مرونتها. الفتحات الموجودة في حامل المرشح مسدودة. كمية القهوة الموضوعية في المرشح كبيرة جداً. 	<ul style="list-style-type: none"> أعددي تركيب حامل المرشح وتأكد من قفله في موضع تثبيته بشكل صحيح ولفيه إلى اليمين. استبدلي حاشية التثبيت. راجع قسم الصيانة ورعاية العملاء. نظف الفتحات الموجودة في منطقة التدفق. قللي كمية القهوة.
قهوة الإسبريسو باردة	<ul style="list-style-type: none"> عملية التسخين المسبق للجهاز لم تتم. المؤشر الضوئي الأخضر الخاص بجهازية القهوة لم يضيء عند الضغط على زر القهوة. 	<ul style="list-style-type: none"> اتبعي التعليمات الواردة في قسم التسخين المسبق للجهاز. انتظري لحين توقف المؤشر الضوئي الأخضر الخاص بجهازية القهوة عن الوميض قبل الضغط على زر القهوة.
المضخة تصدر ضوضاء عالية	<ul style="list-style-type: none"> خزان الماء فارغ. الخزان غير مركب بشكل صحيح والصمام الموجود في القاع غير مفتوح. 	<ul style="list-style-type: none"> املئي الخزان بالماء. اضغط على الخزان برفق لفتح الصمام الموجود في القاع.
لون كريمة القهوة فاتح ويتم صبها سريعاً.	<ul style="list-style-type: none"> لم يتم الضغط بالشكل الكافي على حبوب القهوة في المرشح. كمية حبوب القهوة المستخدمة غير كافية. تم صب كمية كبيرة من القهوة. القهوة المستخدمة غير مناسبة. 	<ul style="list-style-type: none"> اضغط على القهوة بشكل أكثر قوة. زودي كمية القهوة الموضوعية في المرشح. قللي كمية القهوة المصبوبة في الفنجان (الفناجين). غيّري نوع القهوة المستخدمة.
لون كريمة القهوة داكن ويتم صبها ببطء شديد.	<ul style="list-style-type: none"> تم الضغط بشكل مفرط على حبوب القهوة في المرشح. مخرج القهوة مسدود. تم استخدام كمية كبيرة من القهوة. حبوب القهوة المستخدمة ناعمة جداً. القهوة المستخدمة غير مناسبة. 	<ul style="list-style-type: none"> اضغط على القهوة بشكل أقل في المرشح. نظف من خلال اتباع الإرشادات الواردة في قسم التنظيف. قللي الكمية. غيّري نوع القهوة واشتري نوعاً مناسباً لأجهزة تحضير قهوة الإسبريسو. غيّري نوع القهوة واشتري نوعاً مناسباً لأجهزة تحضير قهوة الإسبريسو.
القهوة بها مذاق حمضي.	<ul style="list-style-type: none"> لم يتم شطف الجهاز بشكل جيد بعد عملية إزالة الترسبيات الجيرية. 	<ul style="list-style-type: none"> اسمحي بتدفق الماء العذب من الجهاز عدة مرات واشطفي كل المكونات، راجع قسم التنظيف.
رغوة الحليب لا تتكون عند تحضير الكابتشينو	<ul style="list-style-type: none"> الحليب غير بارد بالشكل الكافي. وحدة تحضير الكابتشينو متسخة. 	<ul style="list-style-type: none"> استخدمي دائماً حليباً من التلاجة. جرب حليباً آخر بمحتوى دهني مختلف. نظف أنبوب توصيل البخار وفوهة البخار. راجع قسم التنظيف.

إزالة الترسبات الجيرية

- ١ نوصي بإزالة الترسبات الجيرية عن جهاز تحضير القهوة بعد ٢٠٠ مرة استخدام لتحضير القهوة. نوصي بشراء منتج مخصص لإزالة الترسبات الجيرية عن أجهزة تحضير القهوة الإسبريسو. استخدم الكميات الموصى بها من قبل مصنع منتج إزالة الترسبات الجيرية واحذري تجاوز سعة خزان الماء وهي ١ لتر.
 - ٢ تأكد من عدم تركيب حامل المرشح وضعي سلطانية تحت مخرج القهوة ودورق تحت فوهة البخار.
 - ٣ اضغط على زر التشغيل/الإيقاف ثم اضغط على زر القهوة وأفتحي رأس التحكم في البخار من خلال لفها في اتجاه عكس عقارب الساعة واسمحي بتدفق كمية من الماء تكفي فنجان واحد (١) من فوهة البخار. أغلقي رأس التحكم في البخار واتركي كمية فنجان واحد (١) من الماء تخرج من مخرج القهوة. لا تنتظري للمؤشر الضوئي الأخضر لحين توقف وميضه.
 - ٤ أوقفي تشغيل الجهاز وافصلي جهاز تحضير القهوة عن مصدر التيار الكهربائي واتركي الجهاز لمدة ١٥ دقيقة.
 - ٥ كرري الخطوة ٣ واتركي كل محلول إزالة الترسبات الجيرية ليتدفق من الجهاز. أوقفي تشغيل الجهاز.
 - ٦ اشطفي خزان الماء جيداً واملئيه بماء عذب.
 - ٧ اتبعي الخطوة ٣ واسمحي للماء بالتدفق من فوهة الماء الساخن وأيضاً مخرج القهوة. كرري العملية باستخدام خزان ماء عذب. سيؤدي ذلك إلى إزالة آثار الترسبات الجيرية.
- ضمان الجهاز لا يشمل أعمال الإصلاحات الناتجة عن سوء التشغيل نتيجة الترسبات الجيرية في حالة عدم القيام بعملية إزالة الترسبات الجيرية بشكل منتظم.

٨ اضغطي على زر القهوة لصب كمية كافية من القهوة (كمية ليست كبيرة) - وإلا سيصبح مذاق القهوة ضعيفاً. في حالة تضيق كمية من القهوة ليست كبيرة، اضغطي على زر التشغيل/الإيقاف لإيقاف تشغيل الجهاز. الجدول التالي يعتبر مرجعاً لفترة تشغيل زر القهوة لتحضير كميات مختلفة من القهوة.

الكمية	حجم المرشح	وقت الصب التقريبي
١ فنجان إسبريسو (٤٠ مل)	١ فنجان	١٢ ثانية
٢ فنجان (كل فنجان ٤٠ مل)	٢ فنجان	٢٥ ثانية
١ فنجان كبير من القهوة (١٢٥ مل)	١ فنجان	٣٢ ثانية
٢ فنجان كبير من القهوة (كل فنجان ١٢٥ مل)	٢ فنجان	٦٥ ثانية

٩ انتظري لمدة ٣٠ ثانية ثم أزيل حمل المرشح بواسطة لفة إلى اليسار.
 • قد تكون هناك كمية من الماء عند إزالة حمل المرشح. يعتبر ذلك أمراً طبيعياً.
 ١٠ لإزالة القهوة المستخدمة عن حامل المرشح، اقلبي الرافعة الموجودة على المقبض بحيث يستقر طرفها على المرشح ③. أبقِ الرافعة في هذا الموضع ثم اقلبي الوحدة وأخرجي الحبوب المستخدمة ④.

هام

يحذر إزالة حمل المرشح أثناء تحديد وظيفة القهوة أو البخار - فقد يتصاعد البخار ويسبب لك حروقاً.

لتحضير القهوة باستخدام أكياس القهوة الجاهزة

هام

في حالة استخدام المرشح الخاص بتحضير فنجان واحد من القهوة لتحضير فنجان من القهوة بواسطة حبوب القهوة، فمن الضروري إزالة أي بقايا لحبوب القهوة عن المنطقة المحيطة بمخرج القهوة. من الضروري القيام بهذه الخطوة لتجنب تسرب الماء من حامل المرشح وأيضاً للحصول على أفضل أداء. توخي الحذر حيث قد ترتفع درجة حرارة هذه المنطقة.
 ١ سخني الجهاز مسبقاً حسب الخطوات المبينة في صفحة ٨١ مع تركيب المرشح الصغير في حامل المرشح.
 ٢ بعد الانتهاء من عملية التسخين المسبق للجهاز، أزيل حمل المرشح وضعي كيس القهوة الجاهزة في المرشح مع التأكد من توجيه الكيس بطريقة صحيحة ⑤.
 ٣ اضغطي على الكيس باتجاه قاع المرشح مع التأكد من التصاق الأطراف الورقية بالجانب الداخلي للمرشح.
 ٤ يجب وضع كيس القهوة بشكل مركزي وصحيح داخل المرشح.
 ٥ ركي حامل المرشح في مخرج القهوة ثم لفيها إلى اليمين للتأكد من قفله في موضع التثبيت بشكل صحيح ①.
 ٦ تابعي خطوات "تحضير القهوة الإسبريسو".
 ملاحظة - استخدم أكياس القهوة الجاهزة المتوافقة مع معايير ESE
 • اتبعي دائماً الخطوات الموضحة على علبة أكياس القهوة الجاهزة للحصول على معلومات حول الطريقة الصحيحة لكيفية وضع أكياس القهوة الجاهزة داخل المرشح.



لتحضير رغوة الحليب للكاپوتشينو

حضري قهوة الإسبريسو حسب الخطوات الموضحة فيما سبق.
تلميح - لتحضير أكثر من فنجان كاپوتشينو، حضري أولاً كمية القهوة المطلوبة ثم في المرحلة النهائية حضري رغوة الحليب لتحضير الكاپوتشينو.
 ١ تأكدي من وجود ماء في الخزان.
 ٢ تأكدي من إحكام إغلاق رأس التحكم في البخار.
 ٣ اضغطي على زر التشغيل/الإيقاف وسوف يضيء المؤشر الضوئي الخاص بالزر باللون البرتقالي. اضغطي على زر البخار وسوف يومض المؤشر الضوئي الخاص بالبخار باللون الأحمر.
 ٥ انتظري لحين ثبات الضوء الأحمر بشكل مستمر وذلك إشارة إلى وصول الجهاز إلى درجة الحرارة الصحيحة.
 ٦ املئي الدورق جزئياً بالحليب - قد يزداد حجم الحليب لأكثر من ثلاثة أضعاف لذلك اختاري دورق بحجم مناسب. كمرجع، استخدمي ٤٠ إلى ٦٠ مل من الحليب لكل فنجان كاپوتشينو.
 • الحليب البارد قليل الدسم يعطي أفضل النتائج.
 ٧ امسكي الدورق في إحدى يديك وضعي الفوهة في الحليب تأكدي من عدم ارتفاع الحليب أعلى من الوصلة الموجودة في الفوهة ⑥.
 ٨ افتحي رأس التحكم في البخار عن طريق لفة في اتجاه عكس عقارب الساعة. سيبدأ حجم الحليب في الازدياد وتتكون الرغوة. اضبطي ارتفاع الدورق مع التأكد من بقاء الفوهة تحت سطح الحليب. بعد ٢٥ إلى ٣٥ ثانية يتحول الحليب إلى بخار وتتكون الرغوة.
 ٩ أوقف البخار من خلال لف رأس التحكم في البخار في اتجاه عقارب الساعة.
 • يحذر ترك اللبن حتى يغلي حيث يفسد مذاق القهوة.
 ١٠ اضغطي على زر البخار.
 ١١ صبي رغوة الحليب في الفناجين التي تحتوي على قهوة الإسبريسو. لتحضير القهوة بالحليب، اقلبي فوهة رغوة الحليب وأضيفي فقط الحليب المسخن.
هام - يحذر تشغيل فوهة البخار لفترة زمنية أطول من دقيقتين (٢) في المرة الواحدة كما يجب عليك أيضاً تنظيف الفوهة بعد الاستخدام.
 ١٢ اضغطي على زر التشغيل/الإيقاف لإيقاف تشغيل الجهاز.

لتحضير قهوة الإسبريسو بعد تحضير رغوة الحليب

هام

يحذر إزالة حامل المرشح عن موضعه فور الانتهاء من استخدام وظيفة البخار.
 في حالة تحضير قهوة الإسبريسو بعد تحضير رغوة الحليب، فسوف تحتاجين إلى التخلص من أي كمية موجودة من الماء شديد السخونة حيث قد يتسبب في حرق القهوة. وتلك هي الطريقة:
 ١ أوقف تشغيل زر البخار.
 ٢ تأكدي من وجود ماء في الخزان ثم ضعي دورق تحت فوهة البخار.
 ٣ افتحي رأس التحكم في البخار من خلال لفة في اتجاه عكس عقارب الساعة ثم اضغطي على زر القهوة (سوف يخرج الماء/البخار من فوهة البخار). انتظري لحين وميض المؤشر الضوئي باللون الأخضر ثم أغلقي رأس التحكم في البخار وأوقف تشغيل زر القهوة.
 ٤ انتظري لفترة إضافية من الوقت لحين إضاءة المؤشر الضوئي باللون الأخضر بشكل ثابت. عند الوصول إلى هذه المرحلة يصبح الجهاز جاهزاً لتحضير القهوة.

التنظيف

فوهة البخار

قبل تنظيف فوهة البخار، اسمحي بخروج كمية من الماء الساخن من الفوهة للمساعدة في عملية التنظيف. يجب القيام بهذه الخطوة فور استخدام وظيفة البخار. وتلك هي الطريقة:

- ١ تأكدي من وجود ماء في الخزان ثم ضعي دورق تحت فوهة البخار.
- ٢ أوقف تشغيل زر البخار.
- ٣ افتحي رأس التحكم في البخار عن طريق لفة في اتجاه عكس عقارب الساعة.
- ٤ اضغطي على زر القهوة وشغليه لمدة ١٠ ثوان تقريباً للسماح بخروج الماء من فوهة البخار.
- ٥ أوقف تشغيل زر القهوة ثم أحكمي إغلاق رأس التحكم في البخار من خلال لفة في اتجاه عقارب الساعة.
- ٦ اضغطي على زر التشغيل/الإيقاف لإيقاف تشغيل الجهاز.
- قبل التنظيف الإضافي، افصلي الجهاز عند مصدر التيار الكهربائي واتركه يبرد.
- يحذر غمر الجهاز في الماء.
- لا تغسلي أي من الأجزاء في غسالة الأطباق.

فوهة البخار

- ١ فكي الفوهة عن طريق لفة في اتجاه عقارب الساعة ثم اغسليها جيداً. تأكدي من عدم انسداد الفتحات الثلاثة ② المشار إليها ⑩. في حالة الحاجة، يمكنك إزالة الانسداد بواسطة دبوس.
- ٢ نظفي أنبوب البخار. تأكدي من عدم انسداد نهاية الأنبوب.
- ٣ اربطي الفوهة مرة أخرى في موضعها في أنبوب التسليم.

الخزان والغطاء العلوي وحامل المرشح

- اغسلي هذه الأجزاء ثم اشطفيها واتركيها لكي تجف.
- المرشح (المرشح الصغير والكبير)
- اغسلي المرشح واتركيها لكي يجف بعد كل استخدام.
- بعد حوالي ١٠٠ مرة استخدام أزيل الترسبات الجيرية عن المرشح ونظفيه جيداً حسب الإرشادات الواردة لاحقاً.
- أزيل الغطاء الموجود في الجزء السفلي من المرشح من خلال لفة في الاتجاه المبين ⑦. أزيل جهاز الكريمة من خلال سحبه لأعلى من الجانب السفلي ⑧.
- افصلي مكونات جهاز الكريمة عن طريق سحب حاشية التثبيت إلى الجانب ⑨ وإزالة القرص البلاستيكي والمرشح المعدني ⑩. اشطفي الأجزاء جيداً.
- نظفي المرشح المعدني في ماء ساخن باستخدام فرشاة ⑪. تأكدي من عدم انسداد الفتحات الموجودة في المرشح المعدني. في حالة الحاجة، يمكنك إزالة الانسداد بواسطة دبوس ⑫. جففي الأجزاء ثم أعيدي تركيبها مع التأكد من تركيبها بشكل صحيح.

منصة وضع الفنجان وصينية تجميع الزيادات

- أفرغي صينية تجميع الزيادات بشكل منتظم. ستلاحظين عند امتلاء صينية تجميع الزيادات، سوف تعلق العوامة الحمراء في وسط صينية تجميع الزيادات وتصبح ظاهرة من خلال الفتحة الموجودة في منصة وضع الفنجان.
- ١ اغسليها ثم جففيها جيداً.

مخرج القهوة

- بعد كل مرة استخدام تأكدي من نظافة هذه المنطقة وأنها خالية من أي حبوب قهوة.
- اسمحي مخرج القهوة لتنظيفه وحسب الضرورة نفذي الإجراء التالي لتنظيف المخرج بشكل جيد. الفشل في الحفاظ على نظافة هذه المنطقة سيؤثر على جودة القهوة المحضرة وقد يتلف الوحدة.
- ١ باستخدام مفك برغي ⑭، فكي مسامير البرغي التي تمسك مخرج القهوة في موضعها (لا تزيل الغطاء الداخلي).
- ٢ نظفي المنطقة بقطعة قماش رطبة.
- ٣ نظفي المخرج المزال جيداً في محلول ماء وصابون ساخن باستخدام فرشاة. اشطفي المخرج جيداً. تأكدي من عدم انسداد الفتحات، في حالة الضرورة استخدمي دبوساً لإزالة أي انسداد.
- ٤ اتبعي الخطوات السابقة بترتيب معكوس لإعادة تركيب المخرج.
- الفشل في تنظيف مخرج القهوة والمرشح وفقاً للإرشادات الموصوفة يؤدي إلى وقف سريان الضمان.

قبل استخدام الجهاز للمرة الأولى

- ١ اقرأ التعليمات التالية واحتفظي بها للاستخدامات المستقبلية المرجعية.
- ٢ أزيلتي مكونات التغليف وأية ملصقات.
- ٣ اغسلي الأجزاء المسموح بغسلها: راجعي قسم "التنظيف".
- ٤ اغسلي الجهاز جيداً بواسطة تيار ماء نظيف: راجعي قسم "قبل تحضير القهوة للمرة الأولى".

لسلامتك

- يحذر إزالة حامل المرشح أثناء تخمير القهوة أو خلال فترة تحضير البخار؟ فقد يتصاعد البخار ويسبب لك حروقاً.
- توخي الحذر حتى لا تصابي بحروق نتيجة:
 - الأجزاء الساخنة وتتضمن فوهة البخار وحامل المرشح ومخرج القهوة.
 - البخار الخارج عن طريق فوهة البخار أو القهوة الخارجة عن مخرج القهوة.
- أبقى على الأطفال بعيداً عن الجهاز. كما يحذر أيضاً ترك السلك الكهربائي متديلاً في حالة وجود طفل فقد يترزعه.
- يحذر استخدام الجهاز في حالة تلفه. في مثل هذه الحالة يجب فحص الجهاز أو إصلاحه: راجعي قسم "الصيانة ورعاية العملاء".
- يحذر غمر جسم الجهاز في الماء أو السماح ببلل السلك الكهربائي أو القابس؟ فقد تصابين بصدمة كهربائية.
- افصلي الجهاز عن مصدر التيار الكهربائي:
 - قبل تعبئة الجهاز بالماء
 - قبل عملية التنظيف
 - بعد استخدام الجهاز.
- يحذر ترك الجهاز مهملاً أثناء التشغيل.
- لا تسمحي للسلك الكهربائي بلامسة الأجزاء الساخنة.
- هذا الجهاز غير مصمم للاستخدام بواسطة أشخاص (بما في ذلك الأطفال) بقدرات عقلية أو حسية أو جسدية منخفضة أو دون خبرة ومعرفة باستخدام الجهاز، إلا في حالة الإشراف عليهم أو توجيهه من قبل شخص مسؤول عن سلامتهم.
- يجب ملاحظة الأطفال للتأكد من عدم عبثهم بالجهاز.
- استخدمي الجهاز فقط للأغراض المنزلية المخصص لها. لن تتحمل شركة Kenwood أية مسؤولية في حالة استخدام الجهاز بطريقة غير صحيحة، أو عدم الامتثال للتعليمات المذكورة.

هام

- لا تستخدمي الجهاز دون تعيبنه بالماء - سيتسبب ذلك في احتراق المضخة.
- حافظي على درجة حرارة الجهاز بحيث تكون أعلى من ٠ (صفر) درجة مئوية - وفي حالة عدم الالتزام بذلك سوف تتجمد أية كمية من الماء موجودة داخل الجهاز مما ينتج عنه تلف الجهاز.
- يحذر استخدام الجهاز بدون صينية تجميع الزيادات ومنصة وضع الفنجان.

قبل توصيل الجهاز بمصدر التيار الكهربائي

- تأكدي من تماثل مواصفات المصدر الكهربائي مع المواصفات الموضحة على الجانب السفلي للجهاز.
- هذا الجهاز متوافق مع توجيهات الاتحاد الأوروبي 2004/108/EC الخاصة بالتوافق مع المتطلبات الكهرومغناطيسية وكذلك تنظيماً الاتحاد الأوروبي رقم ٢٠٠٤/١٩٣٥ بتاريخ ٢٠٠٤/١٠/٢٧ والخاصة بمعايير المواد المتلامسة مع الأغذية.

استكشاف جهاز قهوة الإسبريسو من Kenwood

- ① خزان ماء متحرك (قابل للفك والتكيب)
- ② الغطاء العلوي
- ③ مقبض صغير خاص بفوهة البخار
- ④ أنبوب البخار
- ⑤ فوهة البخار
- ⑥ مخرج القهوة
- ⑦ قرص التحكم في البخار
- ⑧ مرشح صغير لصب (١) فنجان أو كيس قهوة
- ⑨ لسان
- ⑩ مرشح كبير لصب (٢) فنجان فقط
- ⑪ زر القهوة
- ⑫ المؤشر الضوئي الخاص بجهازية القهوة
- ⑬ زر التشغيل/الإيقاف
- ⑭ المؤشر الضوئي الخاص بجهازية البخار
- ⑮ زر البخار
- ⑯ صينية تجميع الزيادات
- ⑰ عوامة
- ⑱ منصة وضع الفنجان
- ⑲ ملعقة القياس/مدك القهوة
- ⑳ حامل المرشح
- ㉑ رافعة تفريغ المرشح
- ㉒ صينية تدفئة الفنجان

قبل تحضير القهوة للمرة الأولى

- ١ تأكدي من قفل رأس التحكم في البخار من خلال لفها في اتجاه عقارب الساعة (لا تترطفي في لفها بقوة).
- ٢ أرفعي الغطاء العلوي ثم اخرجي خزان الماء واملئيه بماء بارد. يحذر ملء الخزان بعد مستوى الحد الأقصى والمشار إليه بالعلامة "MAX". وبطريقة أخرى، يمكنك رفع الغطاء العلوي وتعبئة خزان الماء في موضعه.
- نوصي باستخدام ماء مرشح حيث ينتج قهوة مذاقها أفضل وأيضاً يقلل من تكون الترسبات الجيرية. يحذر استخدام ماء فوار أو أي سائل آخر.
- ٣ أعيدي تركيب الخزان في موضعه. تأكدي من تركيبه في موضعه بشكل صحيح مع الضغط بشكل لطيف إذا لزم الأمر للتأكد من اتصال الصمام الموجود في قاع الخزان مع قاع الجهاز.
- هام**
- **يحذر تشغيل الجهاز دون تعبئة الخزان بالماء. زودي مستوى الماء داخل الخزان بمجرد انخفاضه.**
- ٤ أغلقي الغطاء العلوي.
- ٥ اسكي المقبض الصغير وأرجعي فوهة البخار لإخراجها ثم ضعي كوباً أسفلها.
- ٦ ركبتي حامل المرشح في الجهاز من خلال توجيهه أسفل مخرج القهوة ولفه ناحية اليمين ①. ضعي حاوية بحجم مناسب أسفل حامل المرشح.
- ٧ وصلتي الجهاز بمصدر التيار الكهربائي واضغطي على زر التشغيل/الإيقاف، سوف يضيء مصباح الزر باللون البرتقالي. وفي الوقت نفسه سيومض المؤشر الضوئي الخاص بجهازية القهوة باللون الأخضر. انتظري لحين توقف وميض المؤشر الضوئي الأخضر.
- ٨ افتحي رأس التحكم في البخار من خلال لفها في اتجاه عكس عقارب الساعة واضغطي على زر القهوة واتركي كمية فنجان واحد من الماء تخرج من فوهة البخار. أغلقي رأس التحكم في البخار واتركي كمية فنجان واحد من الماء تخرج من مخرج القهوة إلى الحاوية.
- ٩ اضغطي على زر القهوة لإيقاف تدفق القهوة، ثم اضغطي على زر التشغيل/الإيقاف لإيقاف تشغيل الجهاز.
- ١٠ كرري هذه الخطوات في حالة عدم استخدامك للجهاز منذ عدة أيام مضت.

التسخين المسبق لجهاز تحضير القهوة

لضمان صب قهوة الإسبريسو في درجة الحرارة الصحيحة من الضروري التسخين المسبق لوحدة القهوة.

- ١ تأكدي من إحكام إغلاق رأس التحكم في البخار (لفيها في اتجاه عقارب الساعة) وأيضاً التأكد من وجود كمية كافية من الماء لتسخين ١ أو ٢ فنجان حسب الحاجة.
- ٢ ركبتي المرشح المطلوب في حامل المرشح (بدون وضع القهوة مع التأكد من دخول اللسان الموجود في المرشح في التجويف الموجود في حامل المرشح). ركبتي حامل المرشح في الجهاز من خلال توجيهه أسفل مخرج القهوة ولفه ناحية اليمين ①. تأكدي من تركيبه في موضعه بشكل صحيح.
- ٣ ضعي فنجان تحت حامل المرشح. استخدمي نفس الفنجان الذي سيتم تقديم القهوة فيه للتأكد من تسخينه مسبقاً.
- ٤ اضغطي على زر التشغيل/الإيقاف وسوف يضيء المؤشر الضوئي الخاص بالزر باللون البرتقالي. وفي الوقت نفسه سيومض المؤشر الضوئي الخاص بجهازية القهوة باللون الأخضر. انتظري لحين توقف وميض المؤشر الضوئي الأخضر.
- ٥ اضغطي على زر القهوة وسوف يضيء المؤشر الضوئي الخاص بالزر باللون البرتقالي وسيتم صب الماء الساخن في الفنجان. عندما يبدأ المؤشر الضوئي الخاص بجهازية القهوة في الوميض باللون الأخضر مرة أخرى، اضغطي على زر القهوة لإيقاف التدفق.
- ٦ أزيلتي حامل المرشح وتابعي الخطوات لتحضير القهوة باستخدام حبوب القهوة أو أكياس القهوة الجاهزة.

لتحضير القهوة الإسبريسو باستخدام حبوب القهوة

- ١ سخني الجهاز مسبقاً حسب الخطوات المبينة في صفحة ٨١.
- ٢ تأكدي من وجود ماء في الخزان.
- ٣ حددي المرشح المطلوب.
- استخدمي المرشح الصغير لتحضير فنجان واحد من القهوة (أو عند استخدام أكياس القهوة الجاهزة) واستخدمي المرشح الكبير لتحضير كوبين.
- ٤ أضيفي القهوة باستخدام ملعقة القياس المزودة مع الجهاز، ملعقة واحدة لكل فنجان، ساوي سطح الملعقة ثم اضغطي على القهوة برفق باستخدام مدك القهوة. امسحي القهوة الموجودة حول الحافة.
- عند شراء حبوب القهوة تأكدي من ملائمتها لتحضير قهوة الإسبريسو.
- يحذر الضغط بقوة على حبوب القهوة حيث يؤدي ذلك إلى انسداد المرشح وستخرج القهوة من المرشح ببطء شديد وستكون الكريمة بلون داكن. أما في حالة الضغط برفق شديد على حبوب القهوة، فسوف تخرج القهوة من المرشح بسرعة شديدة وستكون الكريمة فاتحة اللون ويصبح مذاق القهوة مائي.
- ٥ ركبتي حامل المرشح. تأكدي من دخول اللسان الموجود في المرشح في التجويف الموجود في حامل المرشح.
- ٦ ركبتي حامل المرشح في مخرج القهوة. لفي حامل المرشح إلى اليمين للتأكد من قفله في موضع التثبيت بشكل صحيح ①.
- ضعي فنجان أو فنجانين تحت حامل المرشح ②. في حالة تحضير كوب واحد من القهوة، ضعي الفنجان أسفل مركز مخرج القهوة.
- ٧ اضغطي على زر التشغيل/الإيقاف وانتظري حتى توقف المؤشر الضوئي الأخضر الخاص بجهازية القهوة ثم اضغطي على زر القهوة.



Head Office Address:
Kenwood Limited, New Lane, Havant, Hampshire PO9 2NH, UK
www.kenwoodworld.com
Designed and engineered by Kenwood in the UK
Made in China